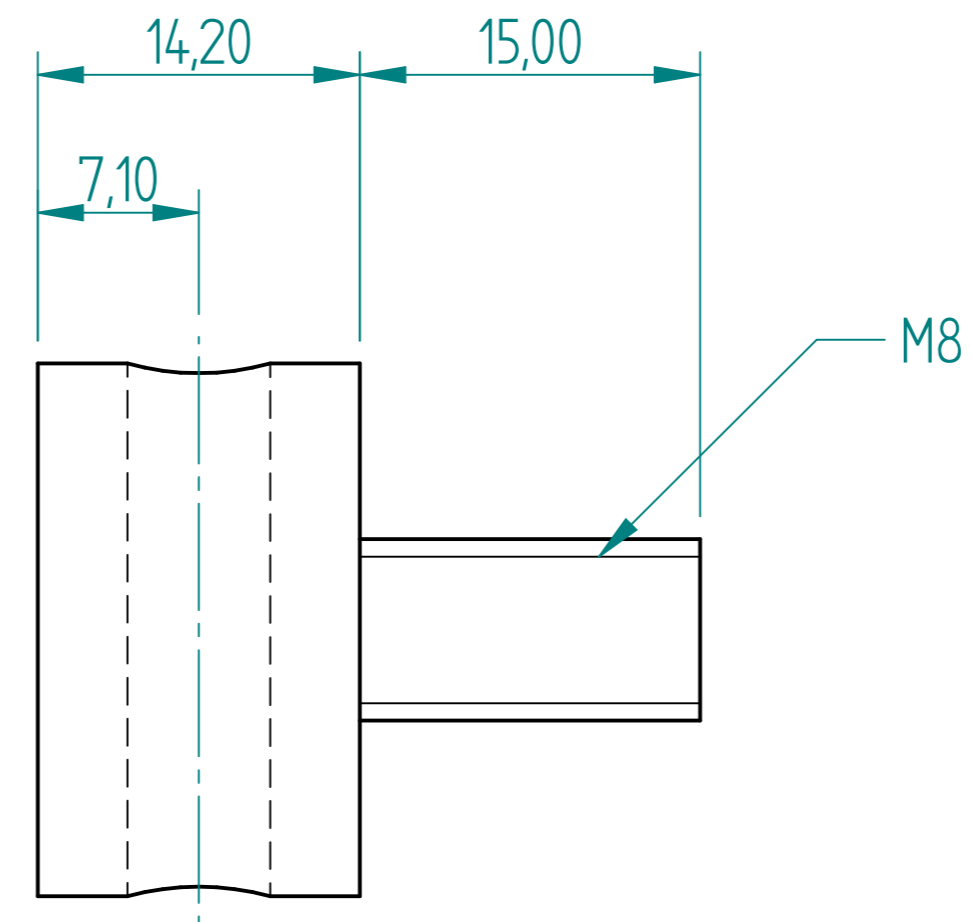
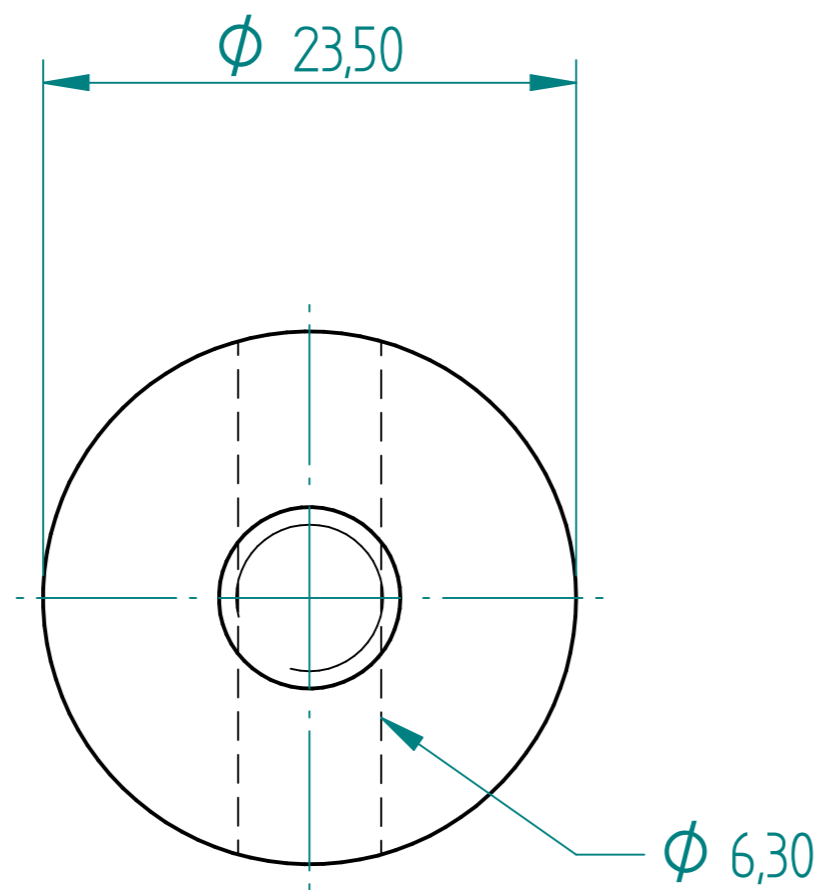


REVISION HISTORY			
REV	DESCRIPTION	DATE	APPROVED



V75 Detent Positioner

	NAME	DATE	PREMAC	
DRAWN	Dan	09/05/24		
APPROVED				
MATERIAL				
TREATMENT			TITLE	
UNLESS OTHERWISE SPECIFIED DIMENSIONS ARE IN MILLIMETERS			SIZE A4	DWG NO
1 ST ANGLE 			FILE NAME: Detent Positioner.dft	REV
2 PL ± 0.02 3 PL ± 0.005			SCALE:	WEIGHT:
			SHEET 1 OF 1	