

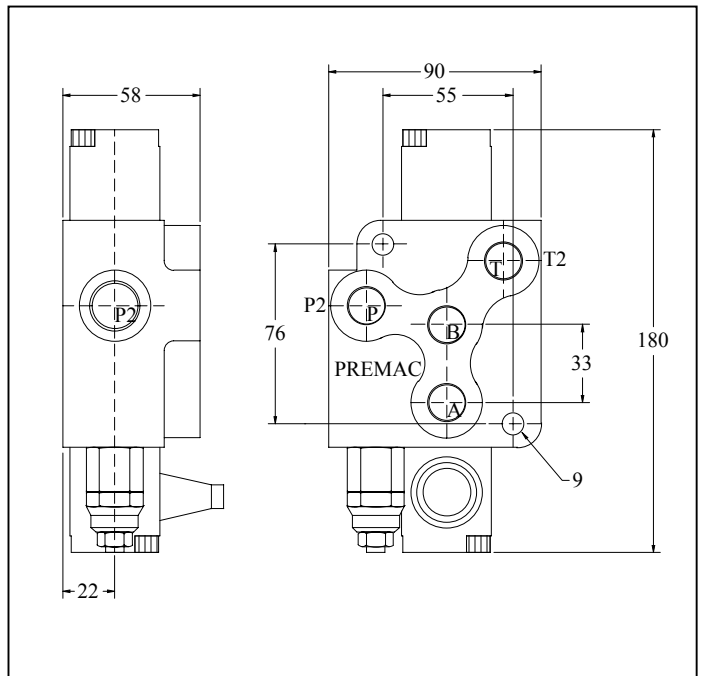
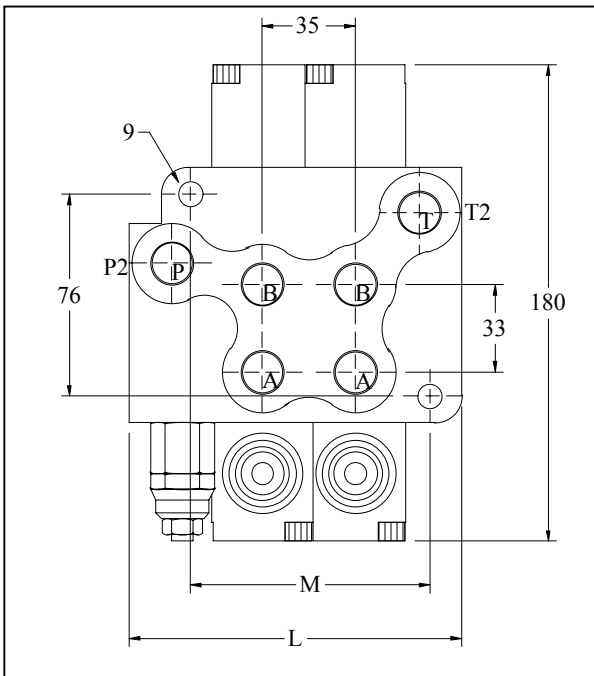
PREMAC

V40 MONOBLOCK



TECHNICAL DATA

MAXIMUM WORKING PRESSURE..... 210 bar
 NOMINAL FLOW 45 L/min
 MAXIMUM TANK LINE PRESSURE..... 30 bar
 MAXIMUM OIL TEMPERATURE..... 80° C
 MINIMUM FILTRATION REQUIRED.... 33 m
 PORT SIZES....(P;T;A;B; 3/8" B.S.P.F)
 (P2;T2; 1/2" B.S.P.F)
 LOAD HOLDING CHECK



<u>MODEL</u>	<u>L</u>	<u>M</u>	<u>PRICE</u>
V40-1	90	55	R 600-00
V40-2	125	90	R 900-00
V40-3	160	125	R 1200-00

SPOOL TYPE

TYPE	SCHEMATIC	DESCRIPTION
A		4 WAY 3 POSITION
E		3 WAY 3 POSITION A PORT
B		3 WAY 3 POSITION B PORT
F		4 WAY 3 POSITION FREE FLOW MOTOR

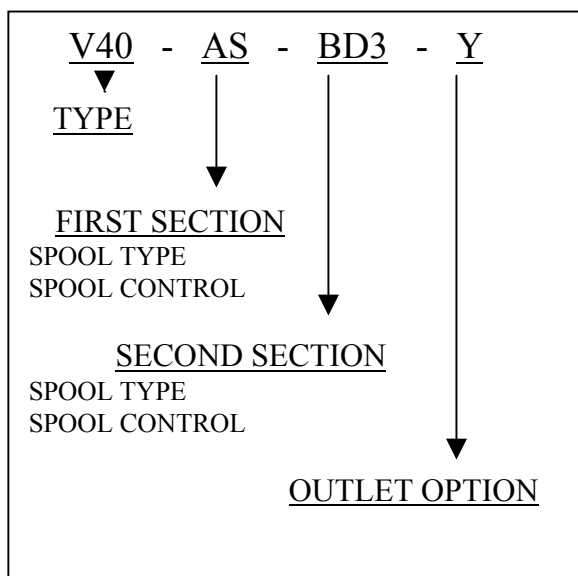
SPOOL CONTROL

TYPE		DESCRIPTION
S		SPRING CENTRED
D3		3 POSITION DETENT
D2		2 POSITION DETENT
N		FREE

OUTLET OPTIONS

- O = OPEN CENTRE
- Y = POWER BEYOND
- C = CLOSED CENTER

ORDERING CODE



HYDRAULIC CIRCUIT

