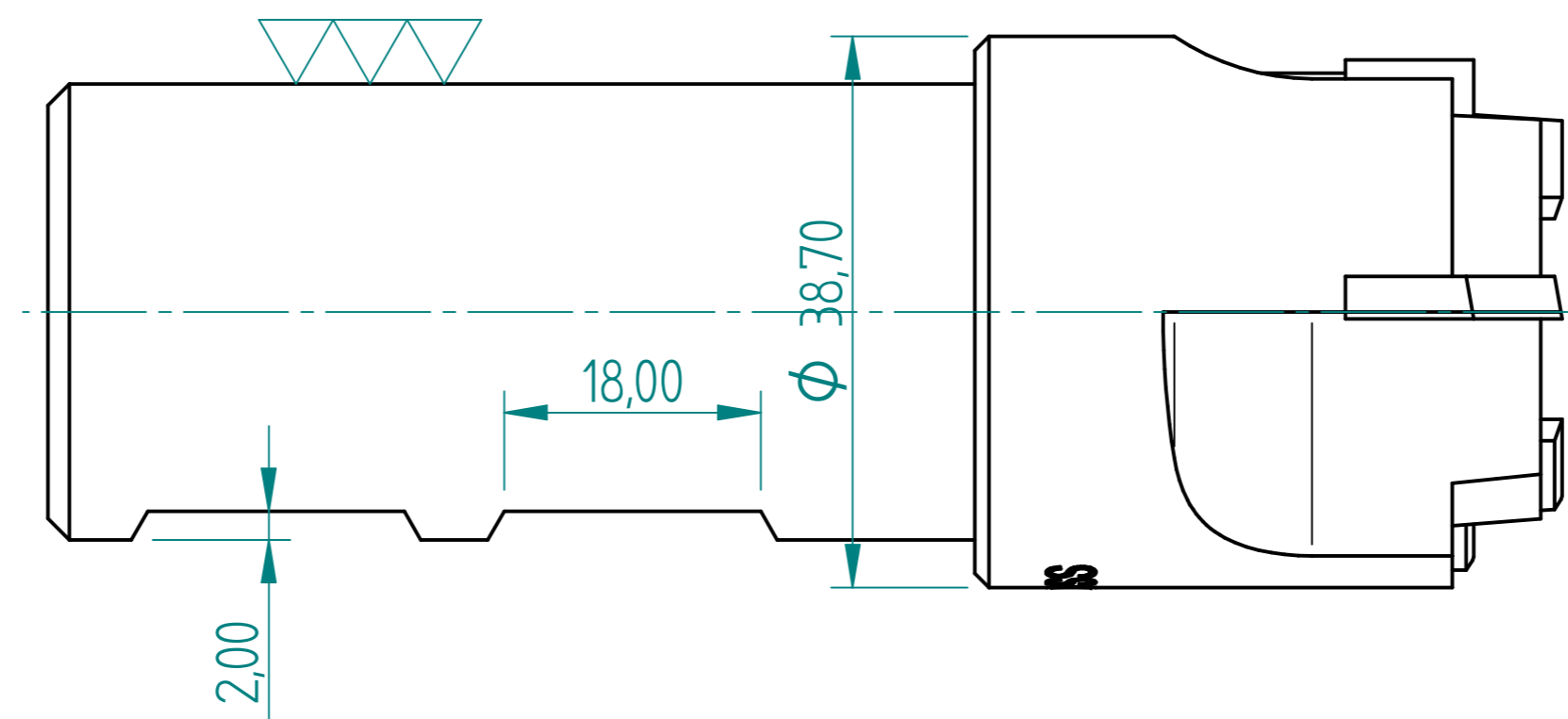
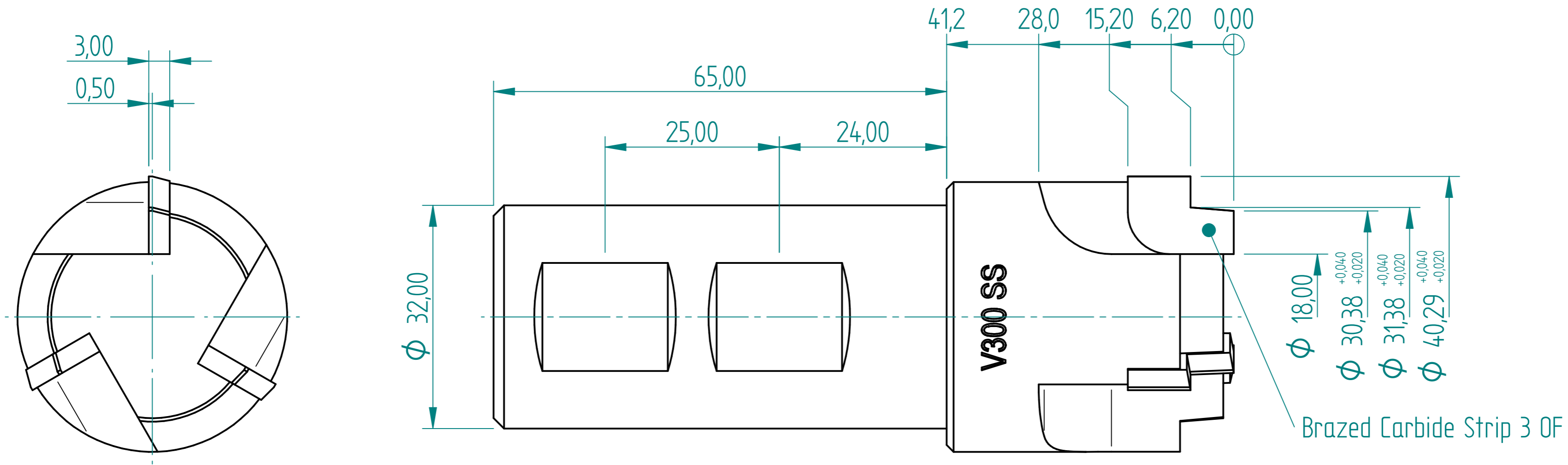


REVISION HISTORY			
REV	DESCRIPTION	DATE	APPROVED



V300 SPOOL SEALING BAR

	NAME	DATE	AGRIGEL	
DRAWN	Dan	05/03/25		
APPROVED				
MATERIAL				
TREATMENT			TITLE Spool Sealing Bar	
UNLESS OTHERWISE SPECIFIED DIMENSIONS ARE IN MILLIMETERS			SIZE A4	DWG NO
1 st ANGLE ANGLES $\pm 0,1^\circ$			FILE NAME: Spool Sealing Bar.dft	
2 PL $\pm 0,02$ 3 PL $\pm 0,005$			SCALE:	WEIGHT:
			SHEET 1 OF 2	

REVISION HISTORY			
REV	DESCRIPTION	DATE	APPROVED



	NAME	DATE	AGRIGEL	
DRAWN	Dan	05/03/25		
APPROVED				
MATERIAL				
TREATMENT			TITLE	
UNLESS OTHERWISE SPECIFIED DIMENSIONS ARE IN MILLIMETERS			SIZE A4	DWG NO
1 st ANGLE 2 PL ±0.02 3 PL ±0.005			FILE NAME: Spool Sealing Bar.dft	REV
			SCALE:	WEIGHT:
			SHEET 2 OF 2	