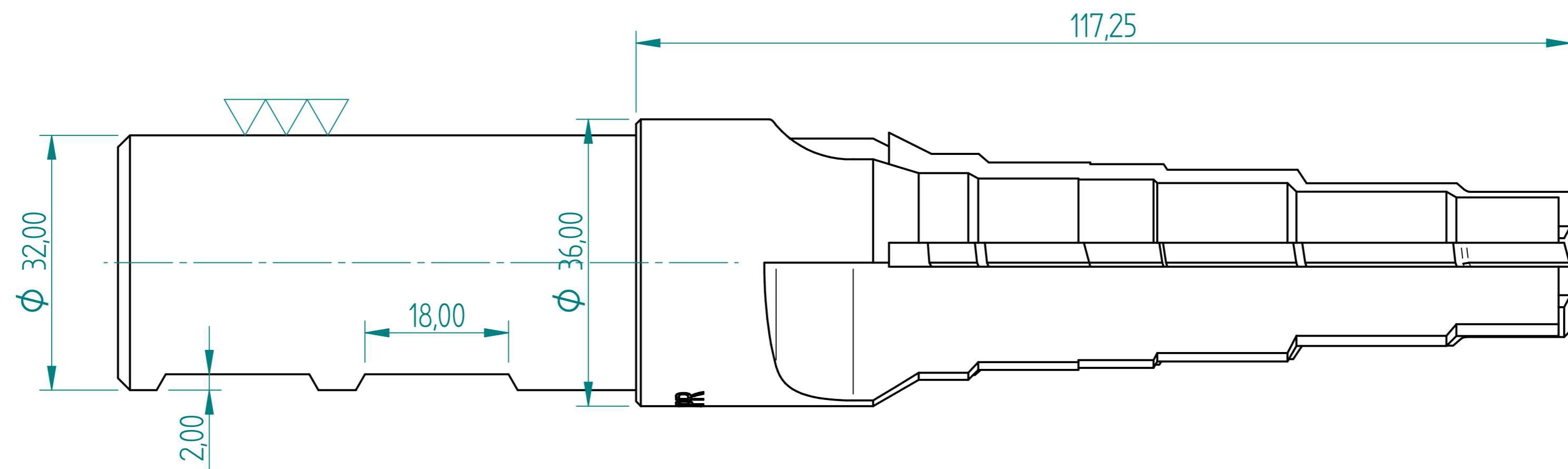
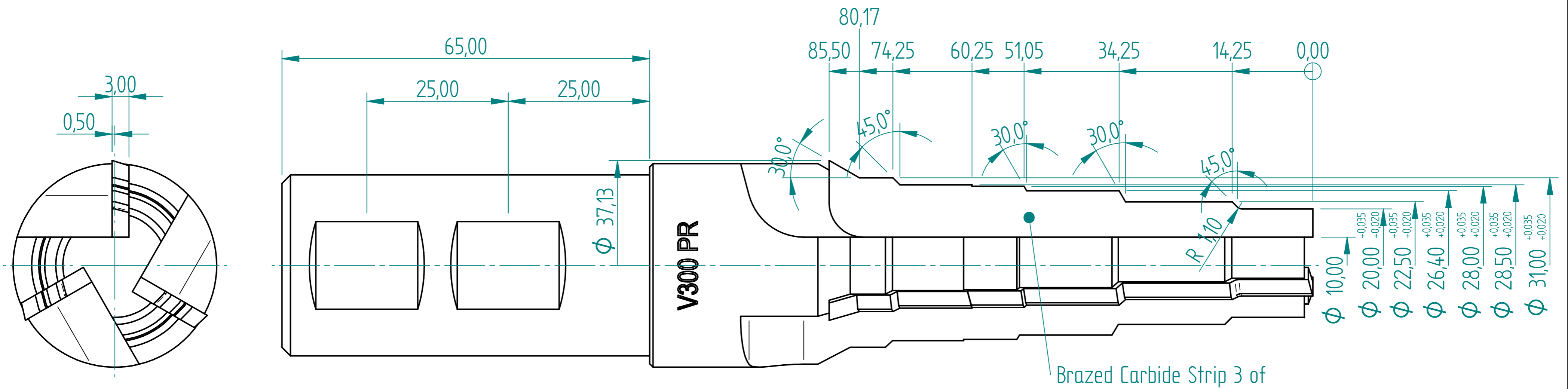


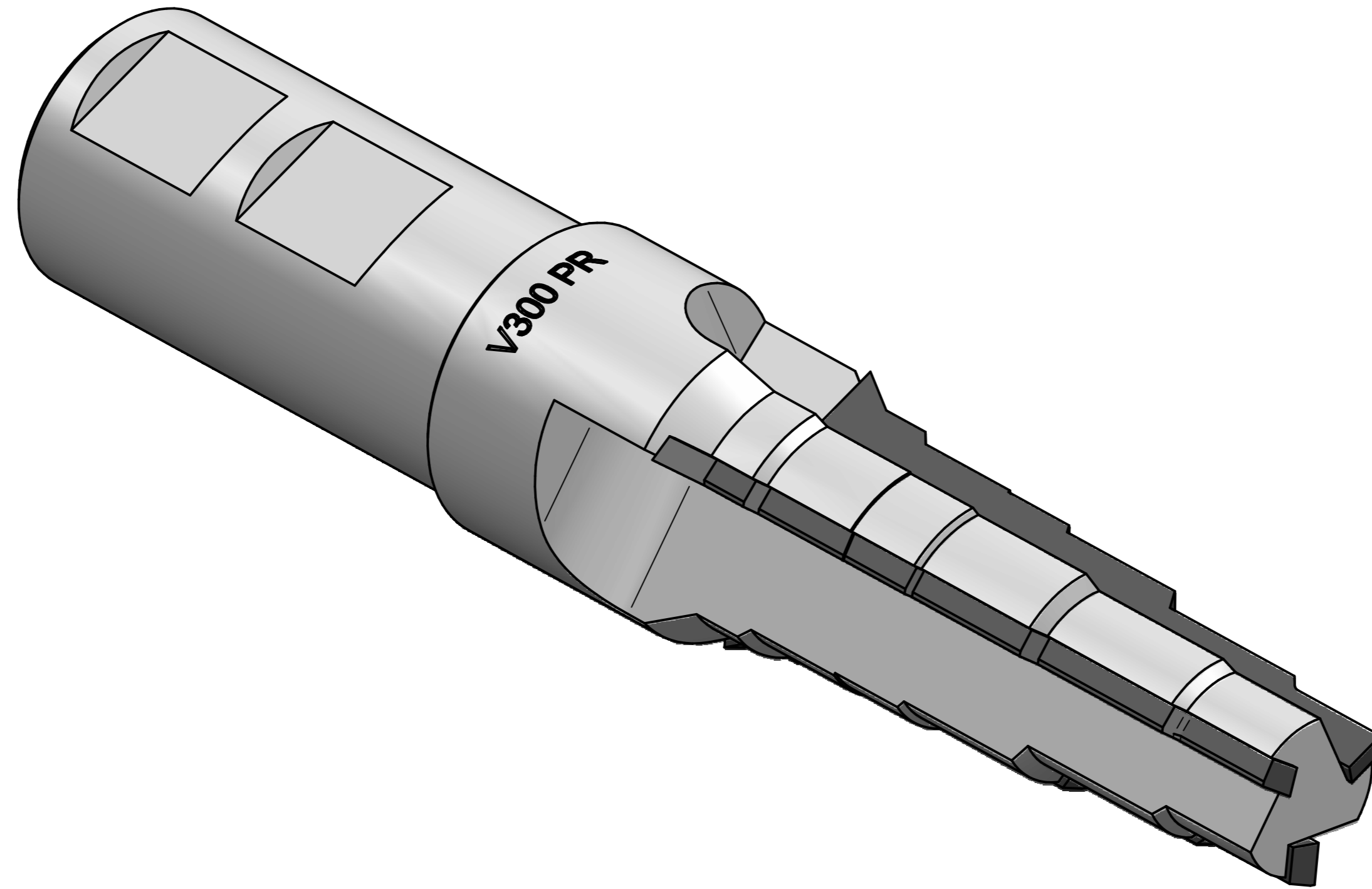
REVISION HISTORY			
REV	DESCRIPTION	DATE	APPROVED




V300 PORT RELIEF BAR

	NAME	DATE	PREMAC	
DRAWN	Dan	04/23/25		
APPROVED			TITLE	
MATERIAL				
TREATMENT				
UNLESS OTHERWISE SPECIFIED DIMENSIONS ARE IN MILLIMETERS ANGLES $\pm 0,1^\circ$			SIZE A4	DWG NO
1st ANGLE 2 PL $\pm 0,02$ 3 PL $\pm 0,005$			FILE NAME: V300 Port Relief Bar.dft	
			SCALE:	WEIGHT:
			SHEET 1 OF 2	

REVISION HISTORY			
REV	DESCRIPTION	DATE	APPROVED



	NAME	DATE	PREMAC	
DRAWN	Dan	04/23/25		
APPROVED				
MATERIAL				
TREATMENT			TITLE	
UNLESS OTHERWISE SPECIFIED DIMENSIONS ARE IN MILLIMETERS			SIZE A4	DWG NO
1 ST ANGLE  2 PL ±0.02 3 PL ±0.005			FILE NAME: V300 Port Relief Bar.dft	REV
			SCALE:	WEIGHT:
			SHEET 2 OF 2	