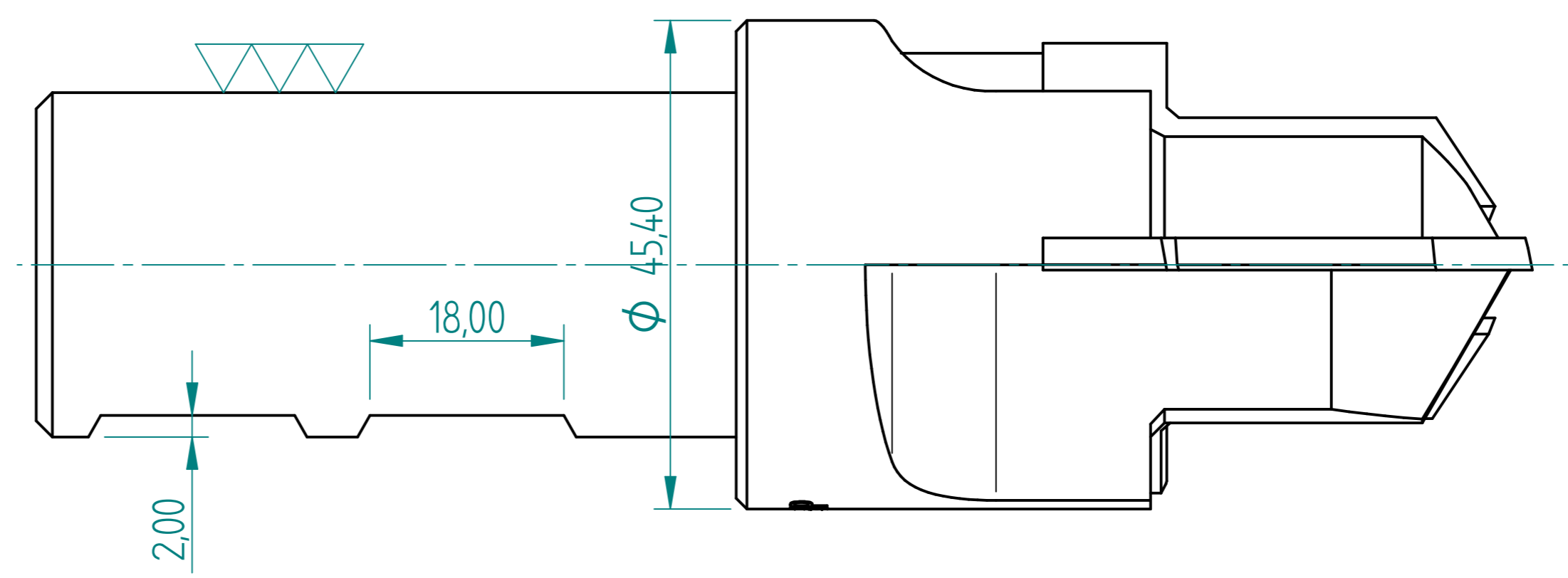
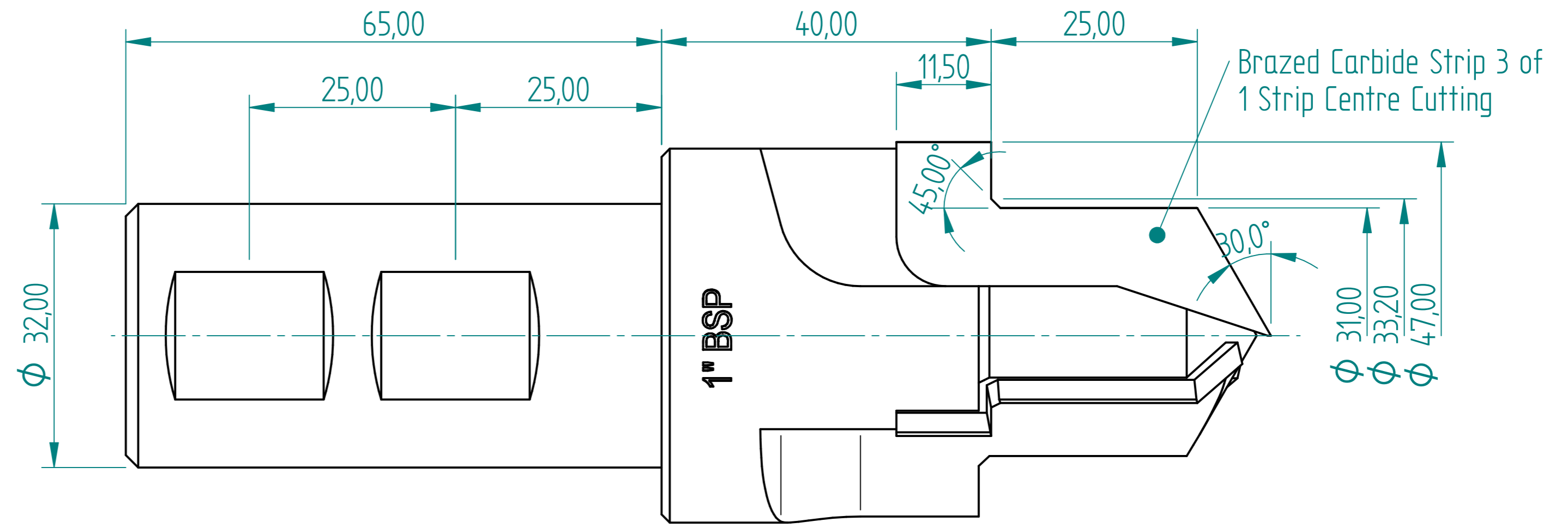
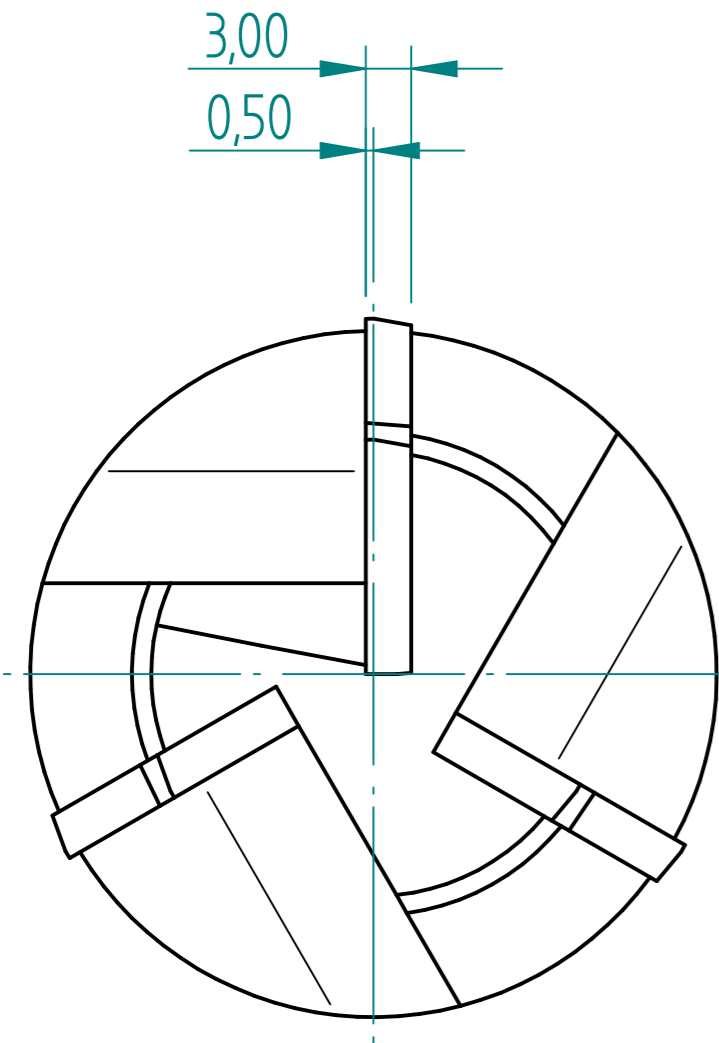


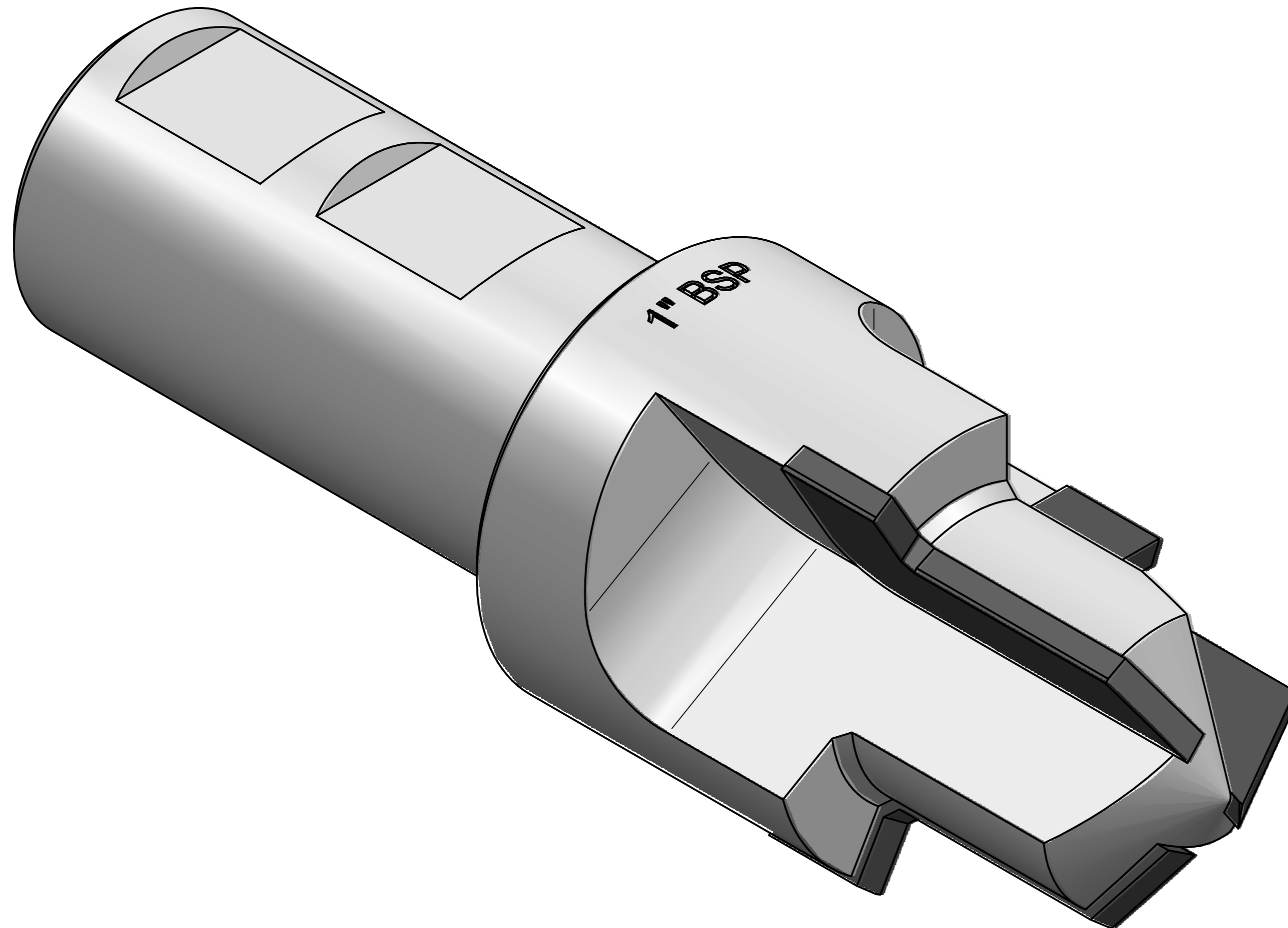
REVISION HISTORY			
REV	DESCRIPTION	DATE	APPROVED




1"- 11 BSPP PORT BAR

DRAWN	NAME	DATE	AGRIGEL	
APPROVED	Dan	05/02/25		
MATERIAL			TITLE	
TREATMENT			1 BSP Port Bar	
UNLESS OTHERWISE SPECIFIED DIMENSIONS ARE IN MILLIMETERS			SIZE	DWG NO
1 st ANGLE			A4	
2 PL ±0.02 3 PL ±0.005			FILE NAME: 1 BSP Port Bar.dft	
			SCALE:	WEIGHT:
			SHEET 1 OF 2	

REVISION HISTORY			
REV	DESCRIPTION	DATE	APPROVED



	NAME	DATE	AGRIGEL	
DRAWN	Dan	05/02/25		
APPROVED				
MATERIAL				
TREATMENT			TITLE	
			1 BSP Port Bar	
UNLESS OTHERWISE SPECIFIED DIMENSIONS ARE IN MILLIMETERS			SIZE A4	DWG NO
1 st ANGLE  2 PL ±0.02 3 PL ±0.005			FILE NAME: 1 BSP Port Bar.dft	
			SCALE:	WEIGHT:
			SHEET 2 OF 2	