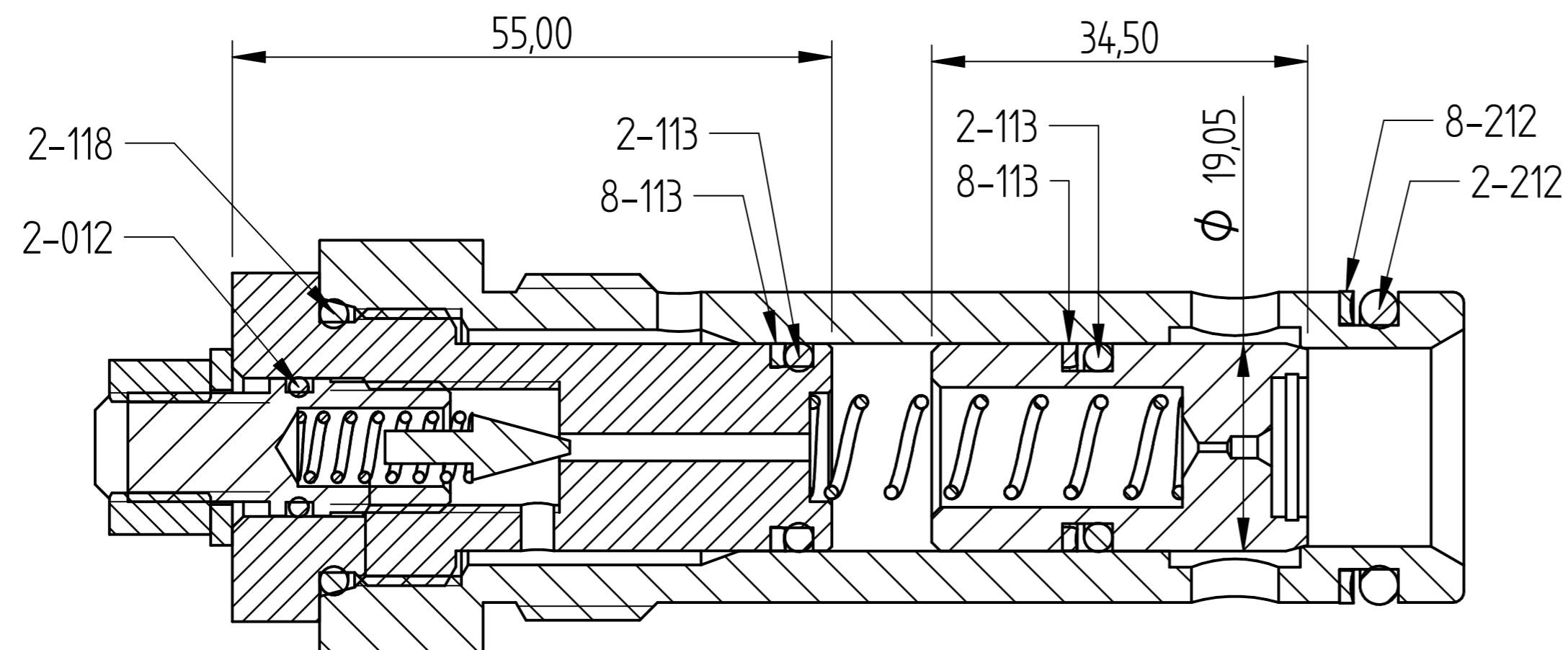
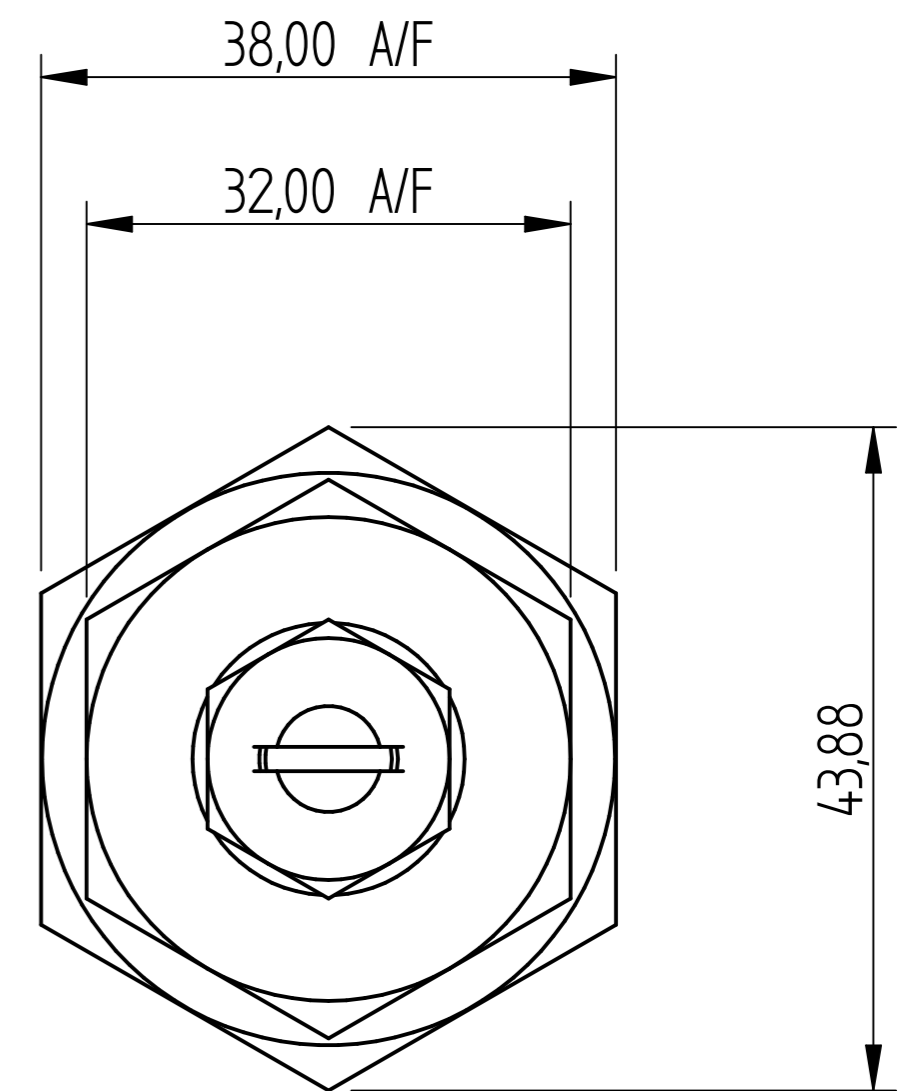
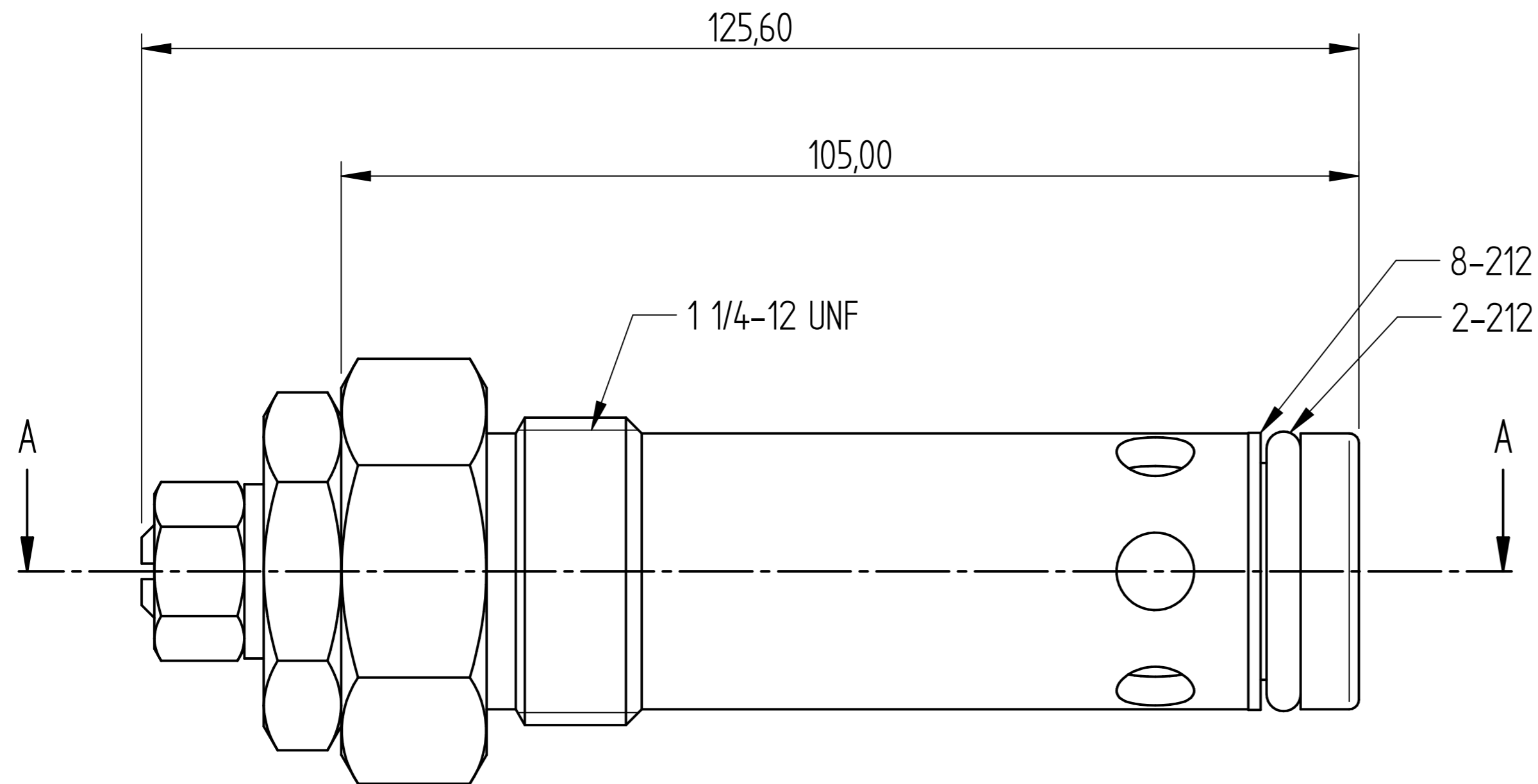


REVISION HISTORY			
REV	DESCRIPTION	DATE	APPROVED

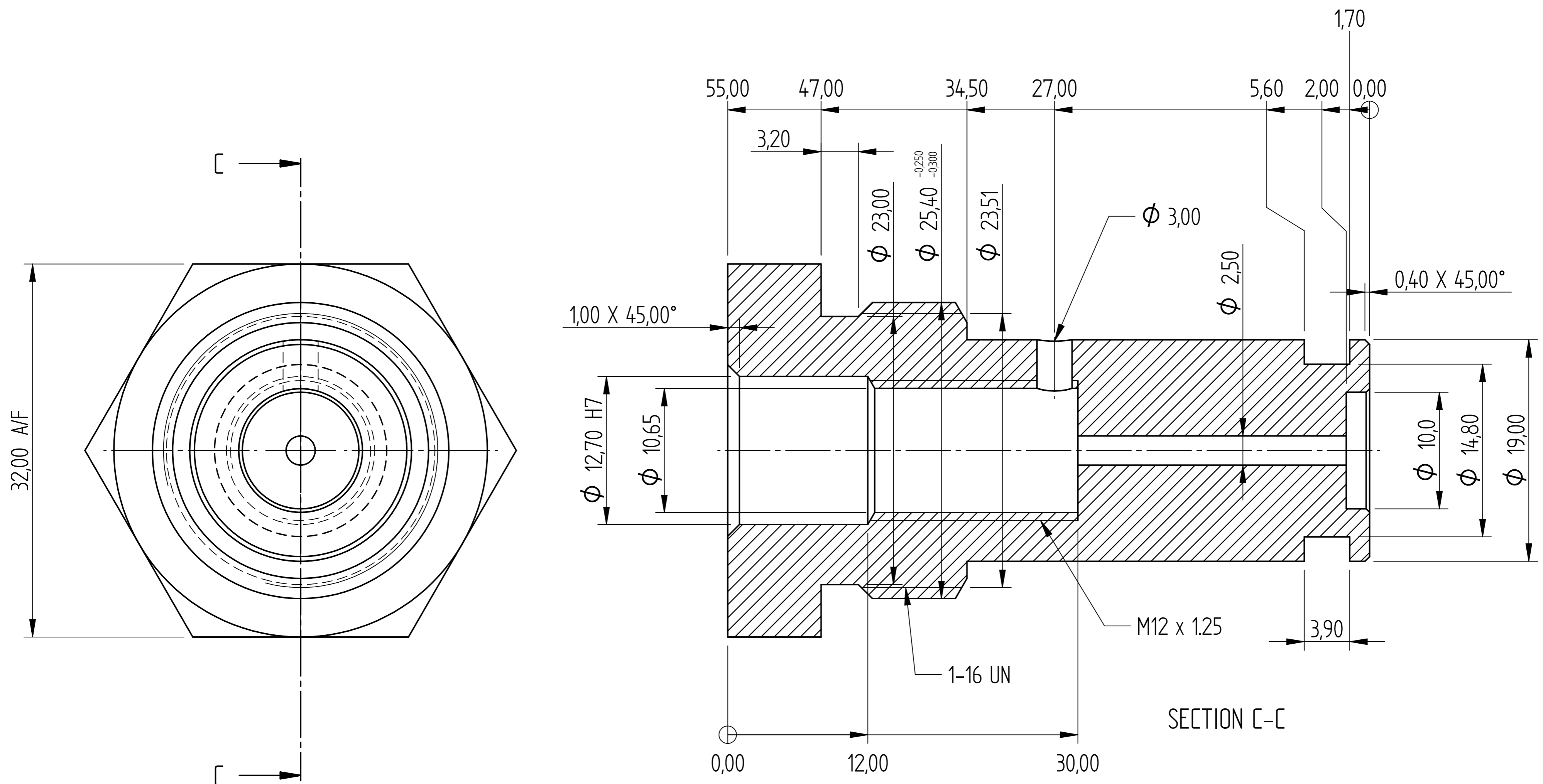


SECTION A-A

	NAME	DATE	<b>PREMAC</b>	
DRAWN	DG	01/29/14		
APPROVED				
MATERIAL				
TREATMENT			TITLE	
UNLESS OTHERWISE SPECIFIED DIMENSIONS ARE IN MILLIMETERS			SIZE	DWG NO
ANGLES $\pm 0.1^\circ$			A4	V200 MR
1st ANGLE			FILE NAME: Main Relief.dft	REV
2 PL $\pm 0.02$ 3 PL $\pm 0.005$			SCALE:	WEIGHT:
			SHEET 1 OF 5	



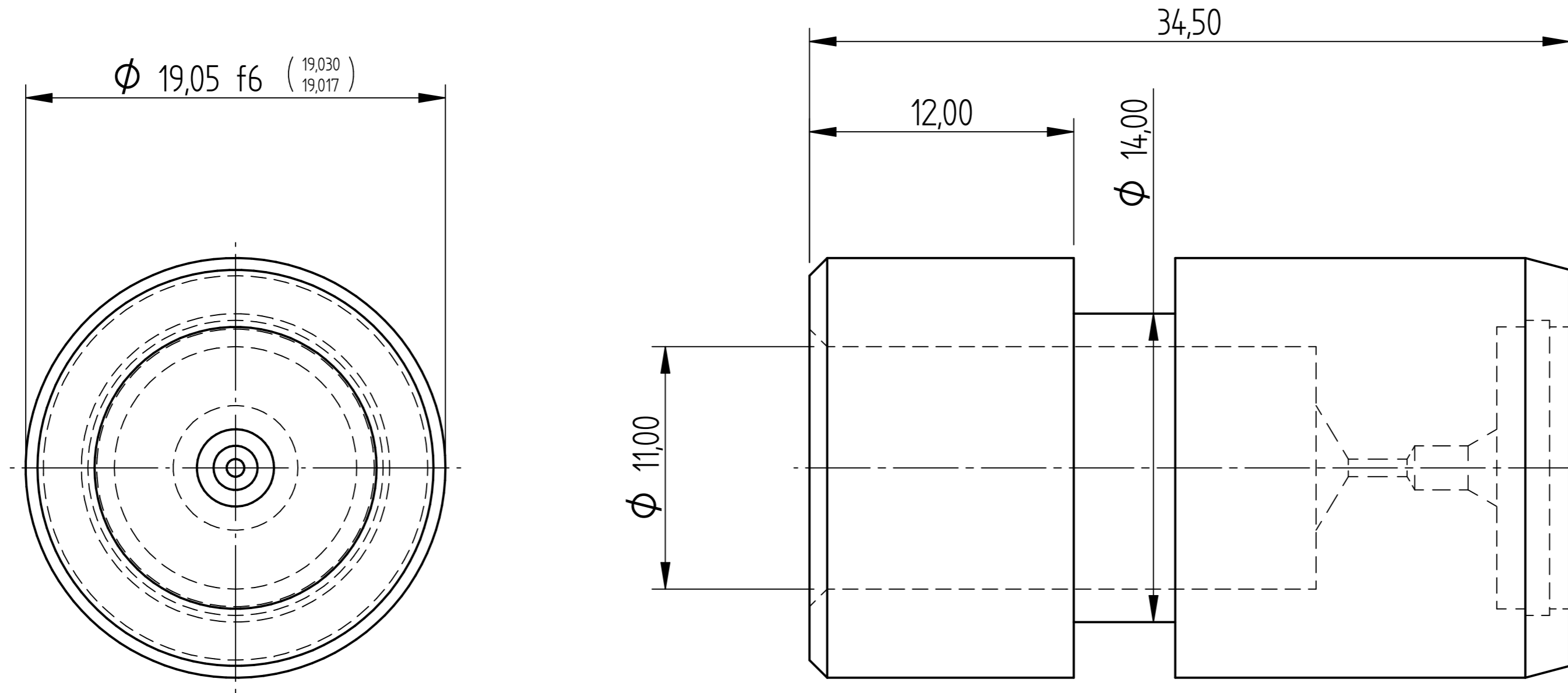
REVISION HISTORY			
REV	DESCRIPTION	DATE	APPROVED



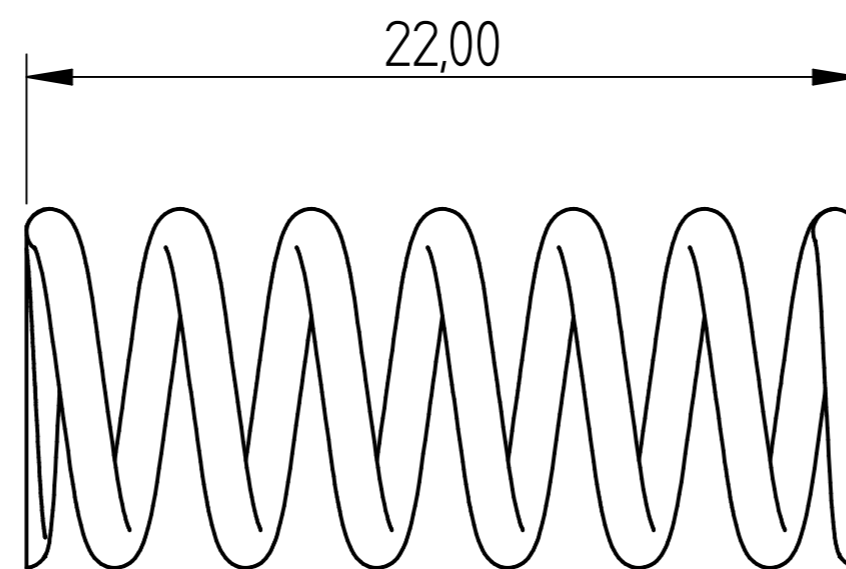
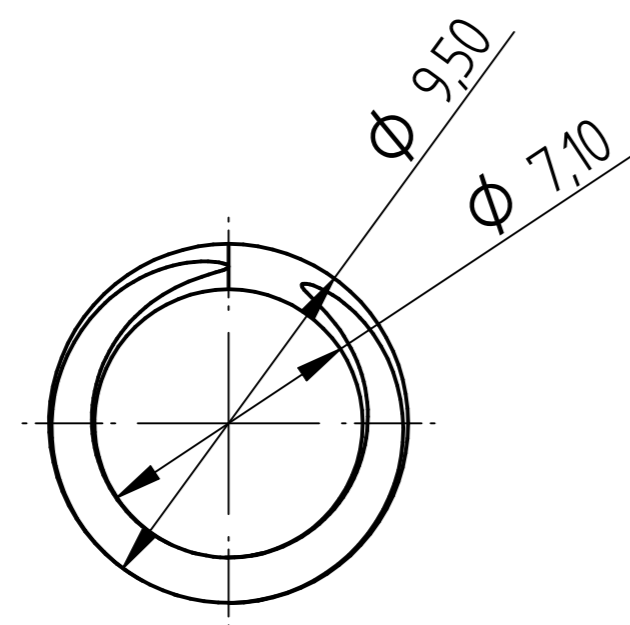
MAIN RELIEF ADJUSTER HOUSING

	NAME	DATE	<b>PREMAC</b>		
DRAWN	DG	01/29/14			
APPROVED			TITLE V200 Main Relief		
MATERIAL					
TREATMENT			SIZE A4	DWG NO V200 MR	REV
UNLESS OTHERWISE SPECIFIED DIMENSIONS ARE IN MILLIMETERS ANGLES ±0.1°			FILE NAME: Main Relief.dft		
1st ANGLE	2 PL ±0.02	3 PL ±0.005	SCALE:	WEIGHT:	SHEET 3 OF 5

REVISION HISTORY			
REV	DESCRIPTION	DATE	APPROVED



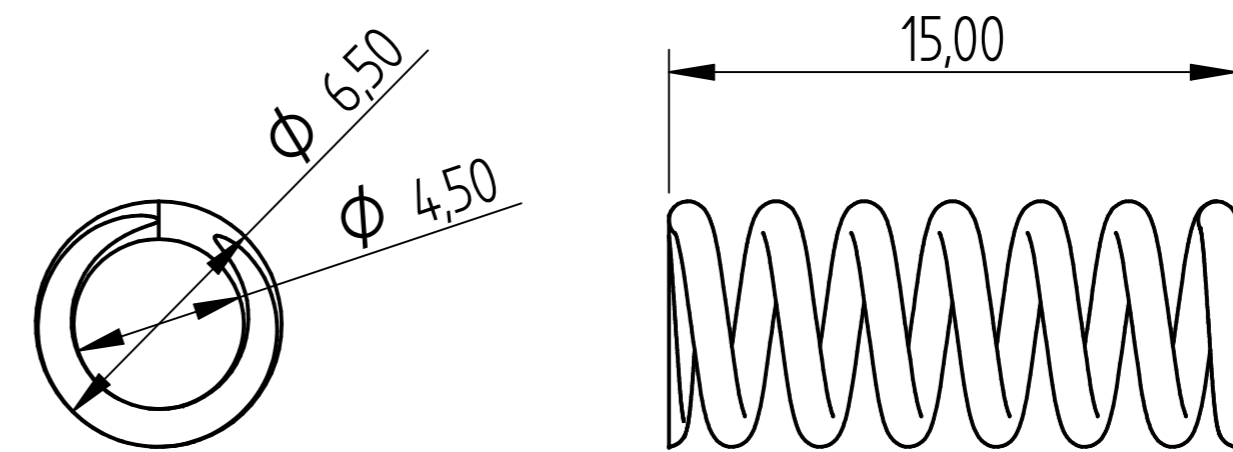
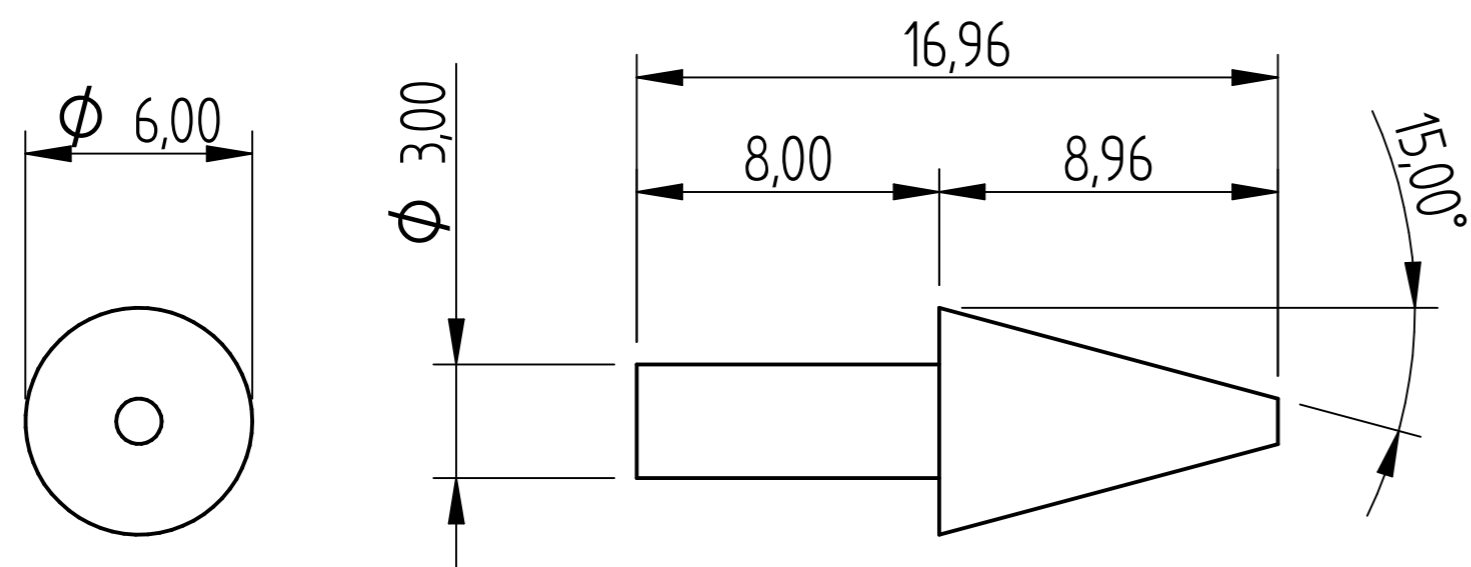
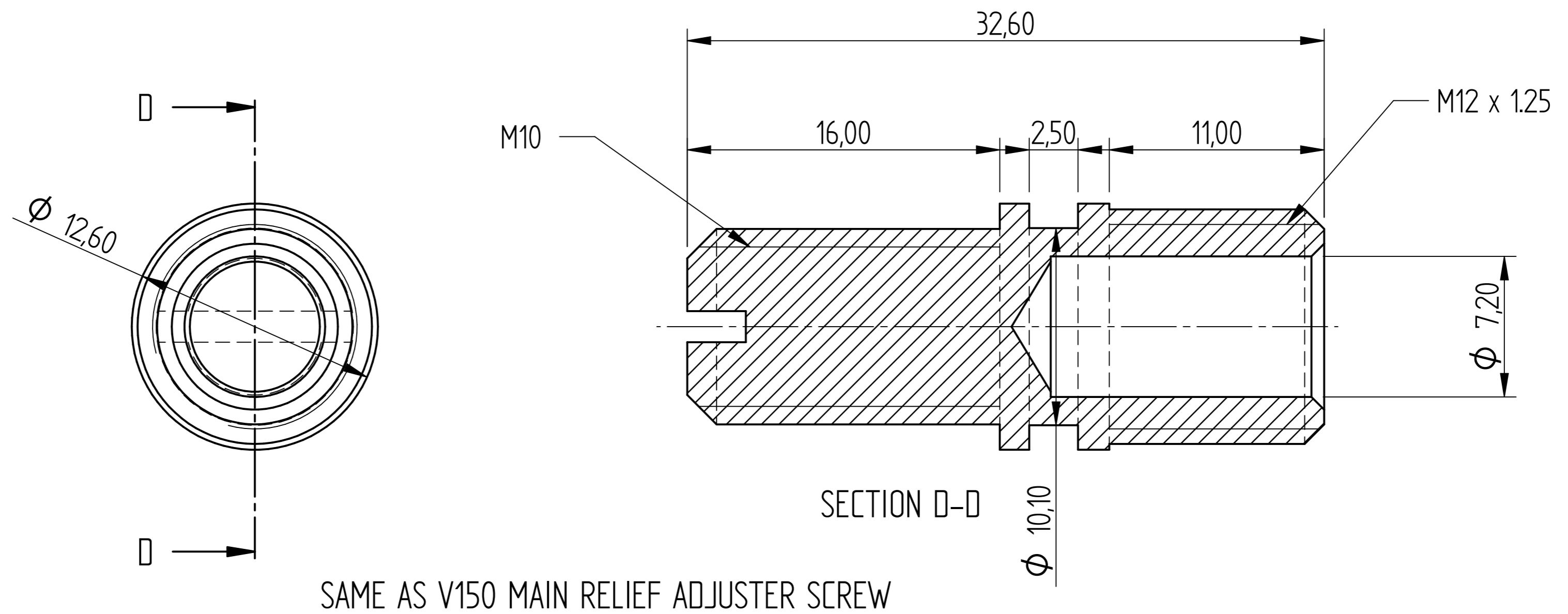
SAME AS V150 MAIN RELIEF PISTON



SAME AS V150 MAIN RELIEF PISTON SPRING

	NAME	DATE	<b>PREMAC</b>		
DRAWN	DG	01/29/14			
APPROVED			TITLE V200 Main Relief		
MATERIAL					
TREATMENT			SIZE A4	DWG NO V200 MR	REV
UNLESS OTHERWISE SPECIFIED DIMENSIONS ARE IN MILLIMETERS ANGLES $\pm 0,1^\circ$			FILE NAME: Main Relief.dft		
1st ANGLE 			SCALE:	WEIGHT:	SHEET 4 OF 5

REVISION HISTORY			
REV	DESCRIPTION	DATE	APPROVED



SAME AS V150 MAIN RELIEF ADJUSTER POPPET

SAME AS V150 MAIN RELIEF ADJUSTER SCREW SPRING

	NAME	DATE	<b>PREMAC</b>		
DRAWN	DG	01/29/14			
APPROVED			TITLE V200 Main Relief		
MATERIAL					
TREATMENT			SIZE A4	DWG NO V200 MR	REV
UNLESS OTHERWISE SPECIFIED DIMENSIONS ARE IN MILLIMETERS ANGLES ±0.1°			FILE NAME: Main Relief.dft		
1st ANGLE 2 PL ±0.02 3 PL ±0.005			SCALE:	WEIGHT:	SHEET 5 OF 5