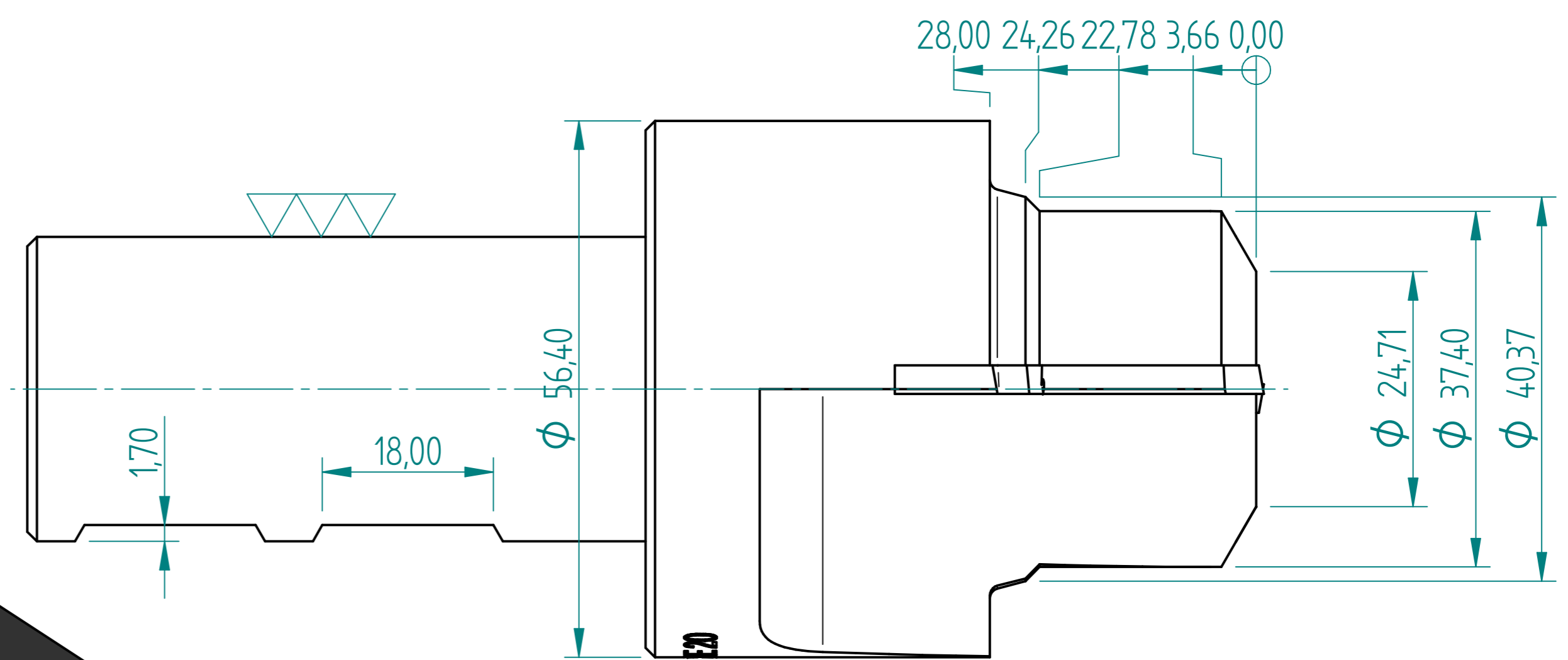
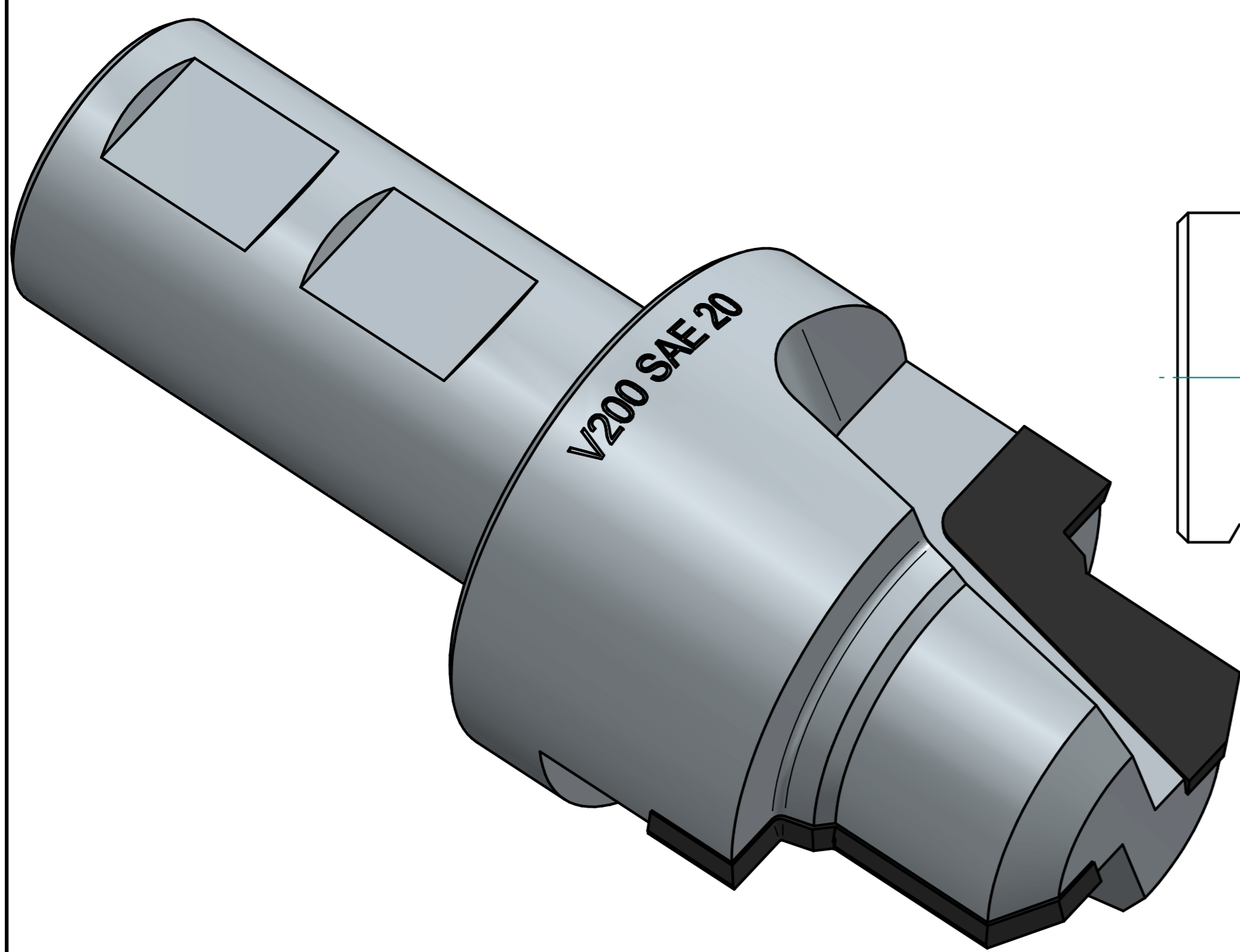
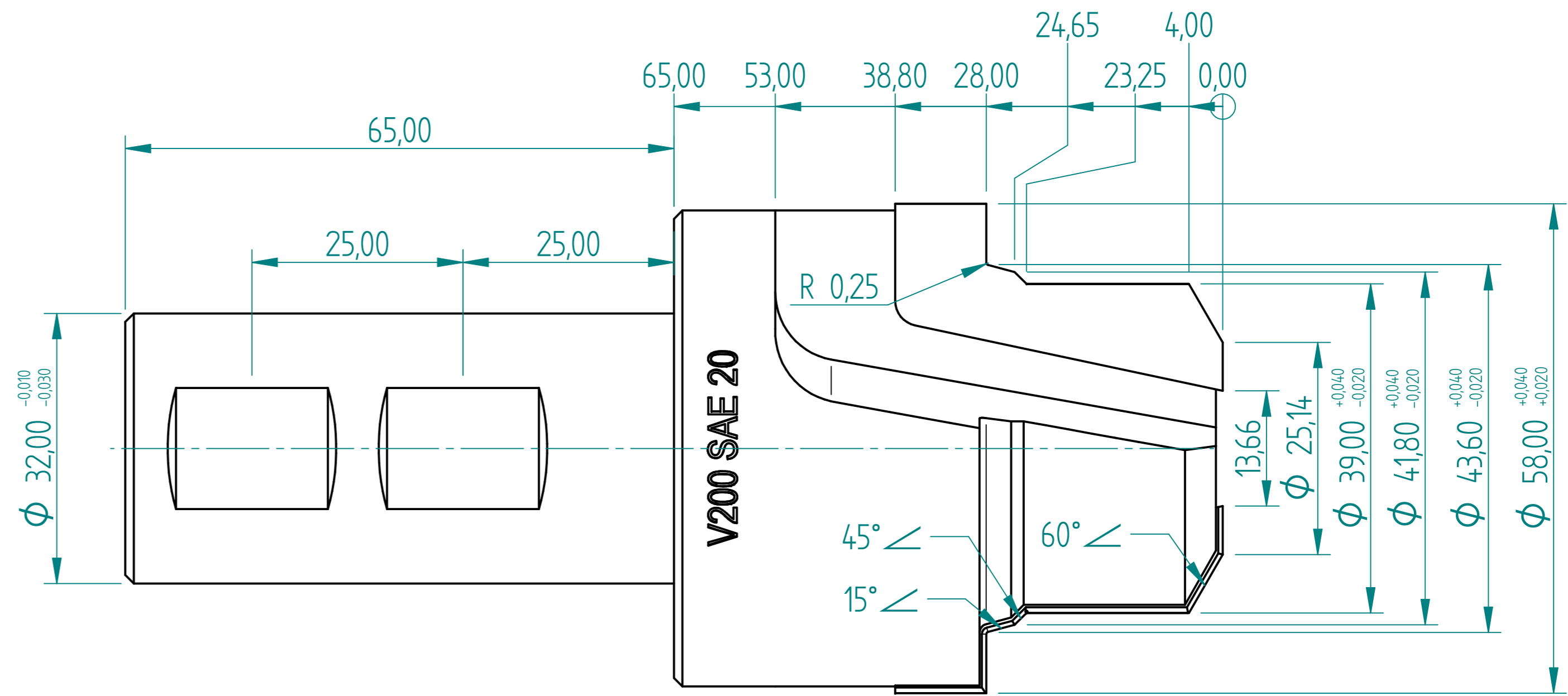
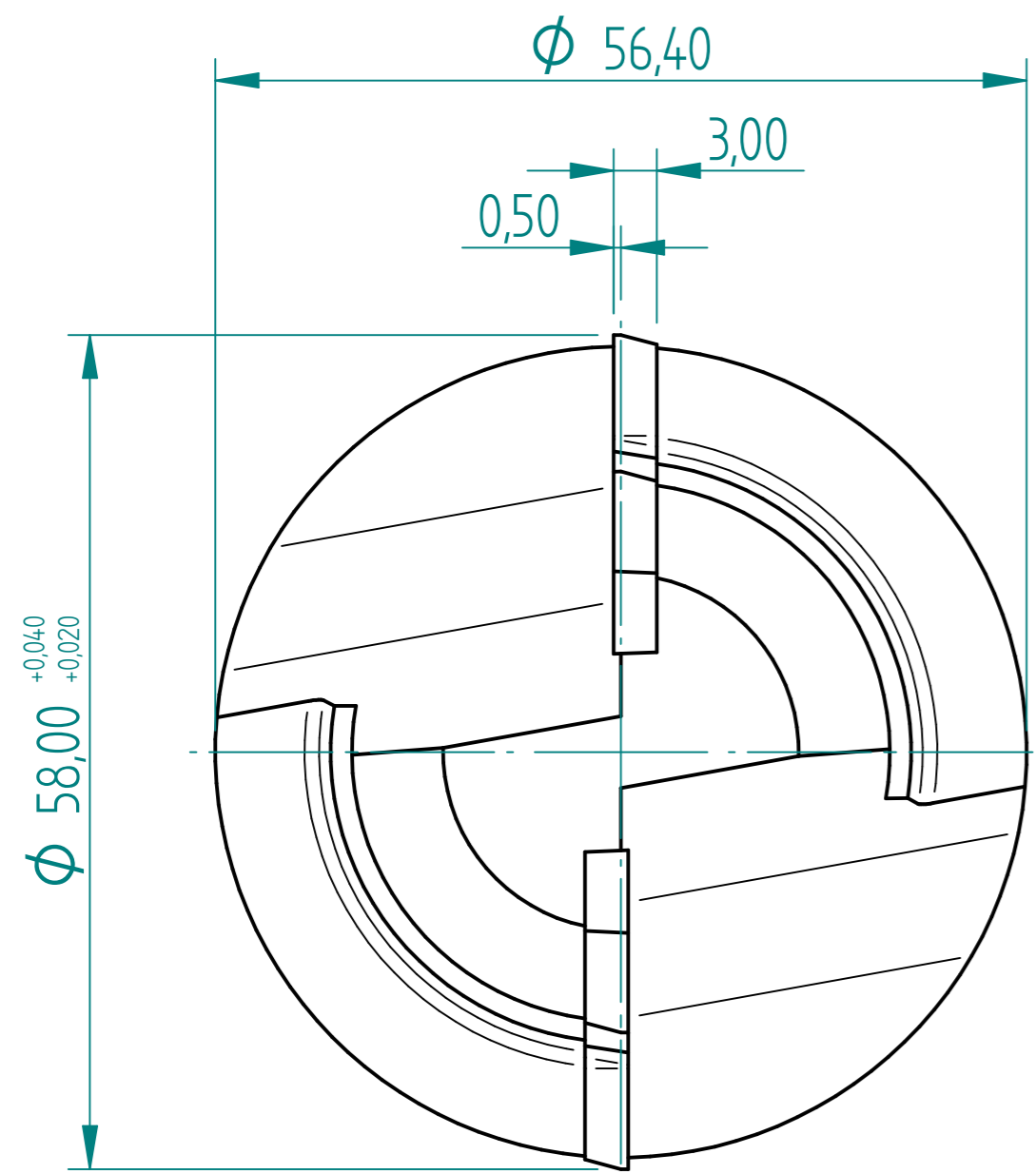


REVISION HISTORY			
REV	DESCRIPTION	DATE	APPROVED



V200 SAE 20 Bar
CUTTING CAST IRON

DRAWN	OG	DATE	10/31/17	PREMAC	
APPROVED					
MATERIAL				TITLE	
TREATMENT				V200 SAE 20 Bar	
UNLESS OTHERWISE SPECIFIED DIMENSIONS ARE IN MILLIMETERS ANGLES ±0.1°				SIZE A4	DWG NO V200 SAE 20 B
1st ANGLE 2 PL ±0.02 3 PL ±0.005				FILE NAME: SAE 20 Bar.dft	REV
SCALE:		WEIGHT:		SHEET 1 OF 2	