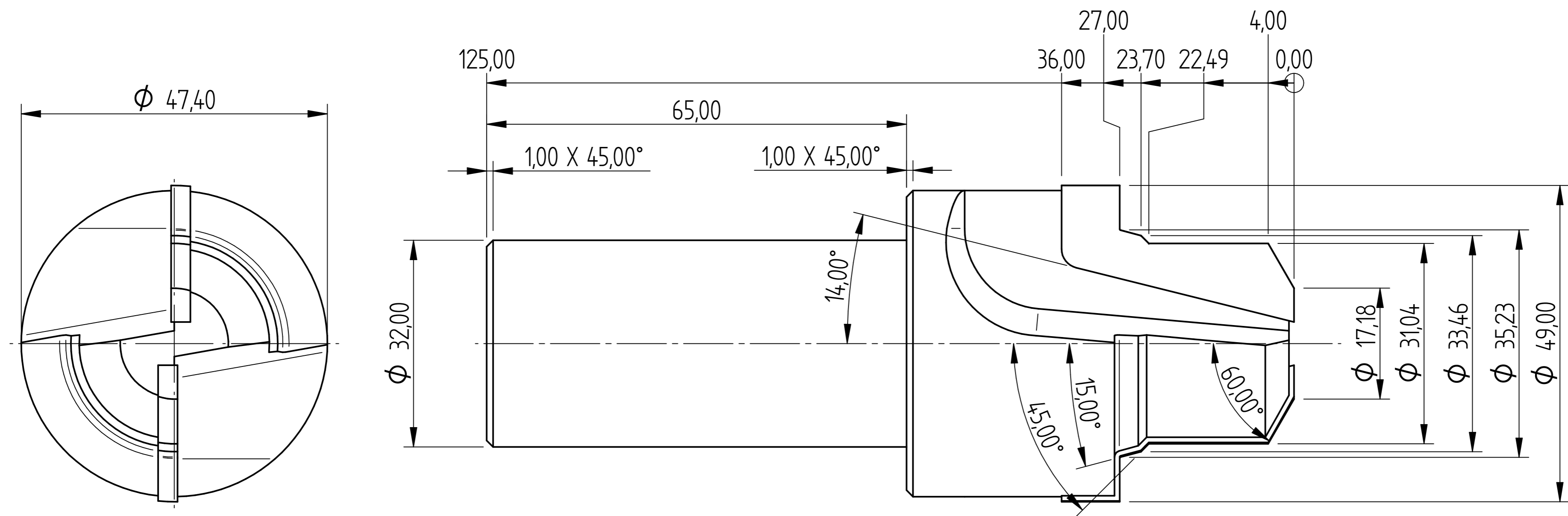


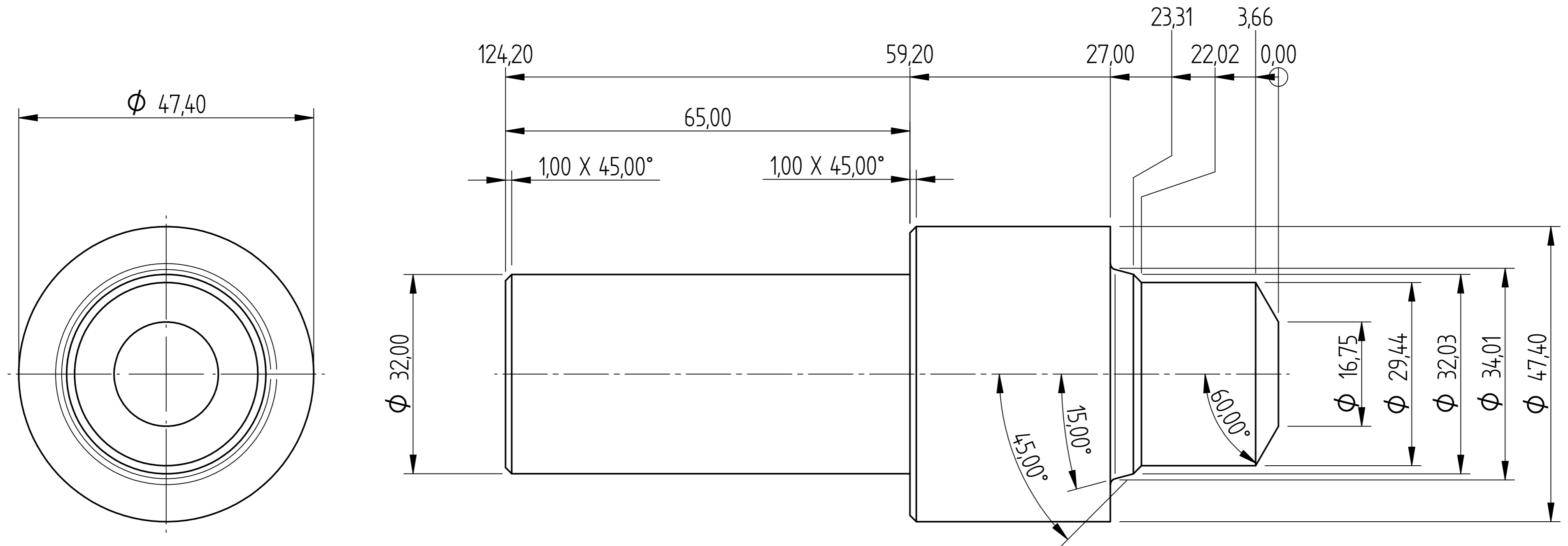
REVISION HISTORY			
REV	DESCRIPTION	DATE	APPROVED



V200 SAE16 BAR

	NAME	DATE	PREMAC		
DRAWN	DG	01/30/14			
APPROVED					
MATERIAL					
TREATMENT			TITLE		
			V200 SAE 16 Bar		
UNLESS OTHERWISE SPECIFIED DIMENSIONS ARE IN MILLIMETERS			SIZE A4	DWG NO V200 SAE16 B	REV
1 ST ANGLE 2 PL $\pm 0,02$ 3 PL $\pm 0,005$			FILE NAME: SAE 16 Bar.dft		
			SCALE:	WEIGHT:	SHEET 1 OF 3

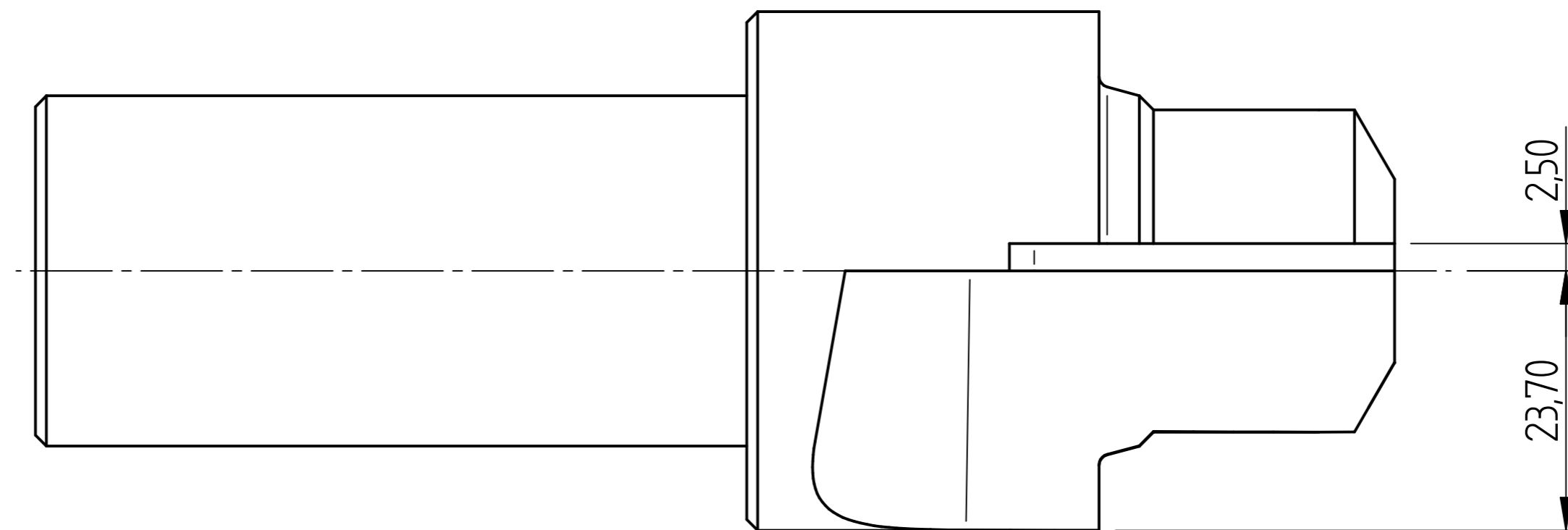
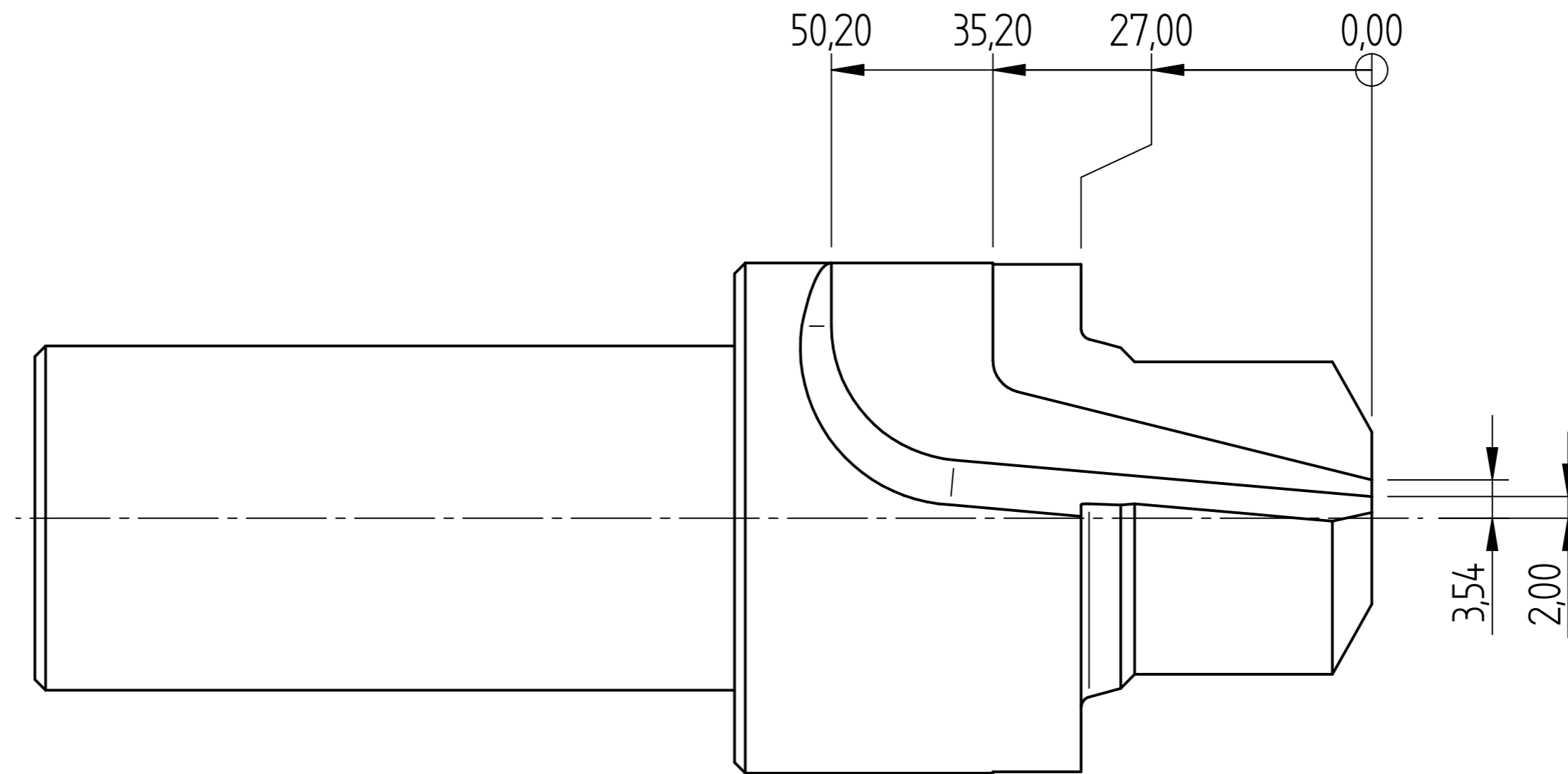
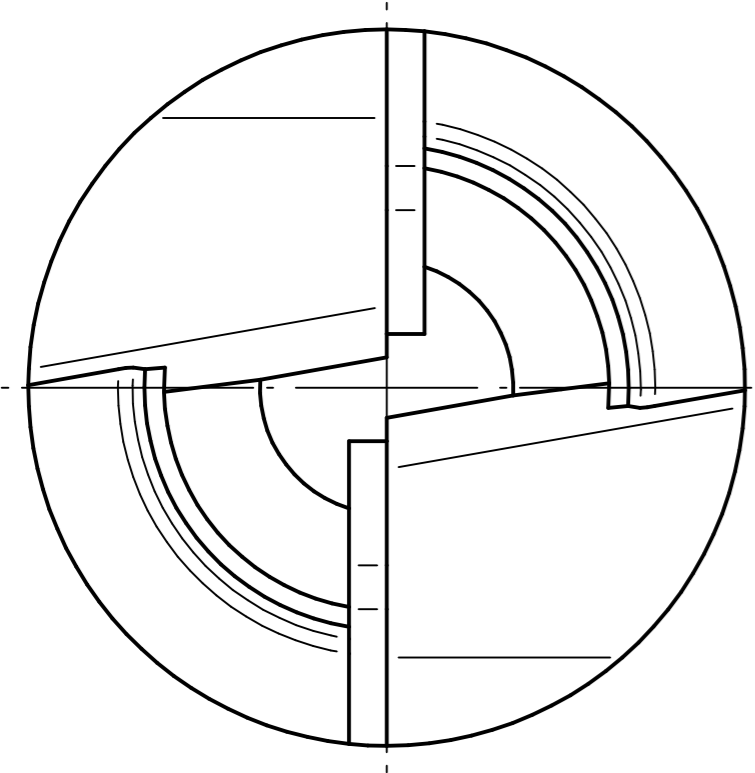
REVISION HISTORY			
REV	DESCRIPTION	DATE	APPROVED



V200 SAE16 BAR TURN

	NAME	DATE	PREMAC		
DRAWN	DG	01/30/14			
APPROVED			TITLE V200 SAE 16 Bar		
MATERIAL					
TREATMENT			SIZE A4	DWG NO V200 SAE16 B	REV
UNLESS OTHERWISE SPECIFIED DIMENSIONS ARE IN MILLIMETERS ANGLES ±0.1°			FILE NAME: SAE 16 Bar.dft		
1st ANGLE 2 PL ±0.02 3 PL ±0.005			SCALE:	WEIGHT:	SHEET 2 OF 3

REVISION HISTORY			
REV	DESCRIPTION	DATE	APPROVED



V200 SAE16 BAR MILL

DRAWN	NAME	DATE	PREMAC	
APPROVED	DG	01/30/14	TITLE	
MATERIAL			V200 SAE 16 Bar	
TREATMENT			SIZE	DWG NO
UNLESS OTHERWISE SPECIFIED DIMENSIONS ARE IN MILLIMETERS			A4	V200 SAE16 B
1 ST ANGLE			FILE NAME:	REV
2 PL ±0.02 3 PL ±0.005			SAE 16 Bar.dft	
SCALE:		WEIGHT:	SHEET 3 OF 3	