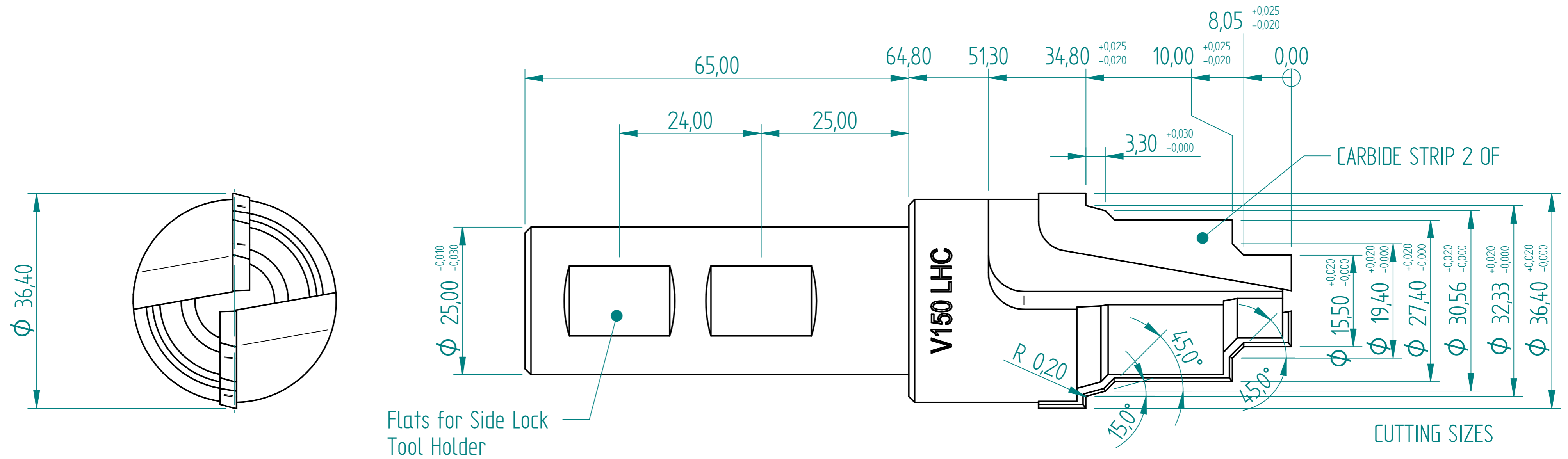
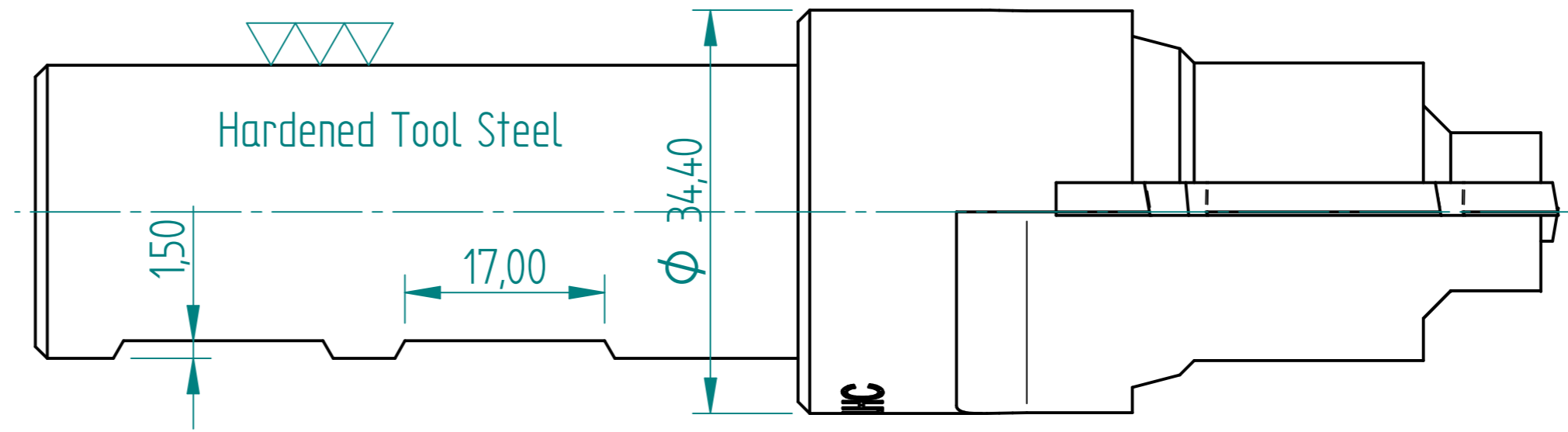


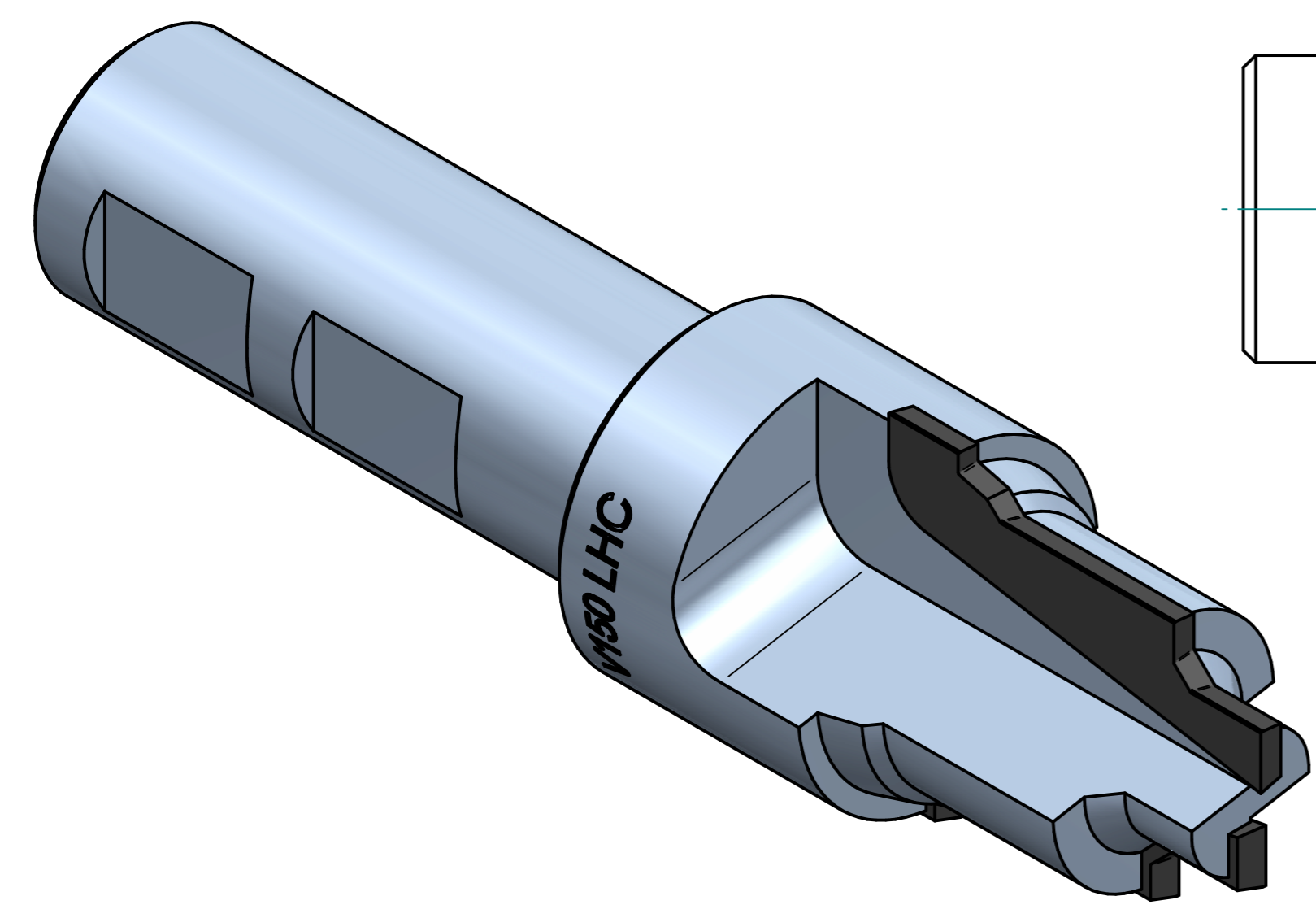
REVISION HISTORY			
REV	DESCRIPTION	DATE	APPROVED



Flats for Side Lock Tool Holder



V150 LOAD HOLDING CHECK BAR FOR CUTTING CAST IRON



DRAWN	NAME	DATE	<b>PREMAC</b>	
APPROVED	Dan	03/18/24		
MATERIAL			TITLE	
TREATMENT			FILE NAME: Load Holding Check Bar.dft	
UNLESS OTHERWISE SPECIFIED DIMENSIONS ARE IN MILLIMETERS			SIZE	DWG NO
ANGLES $\pm 0,1^\circ$			A4	REV
2 PL $\pm 0,02$ 3 PL $\pm 0,005$			SCALE:	WEIGHT:
			SHEET 1 OF 1	