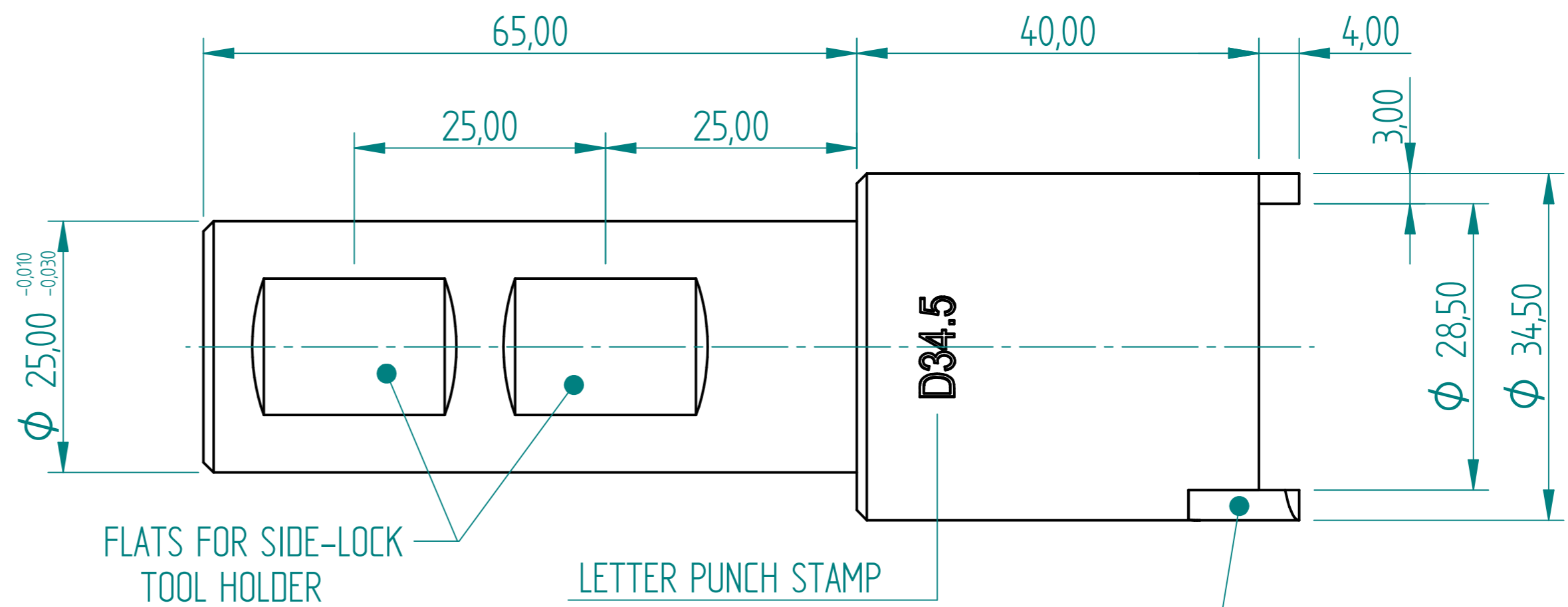
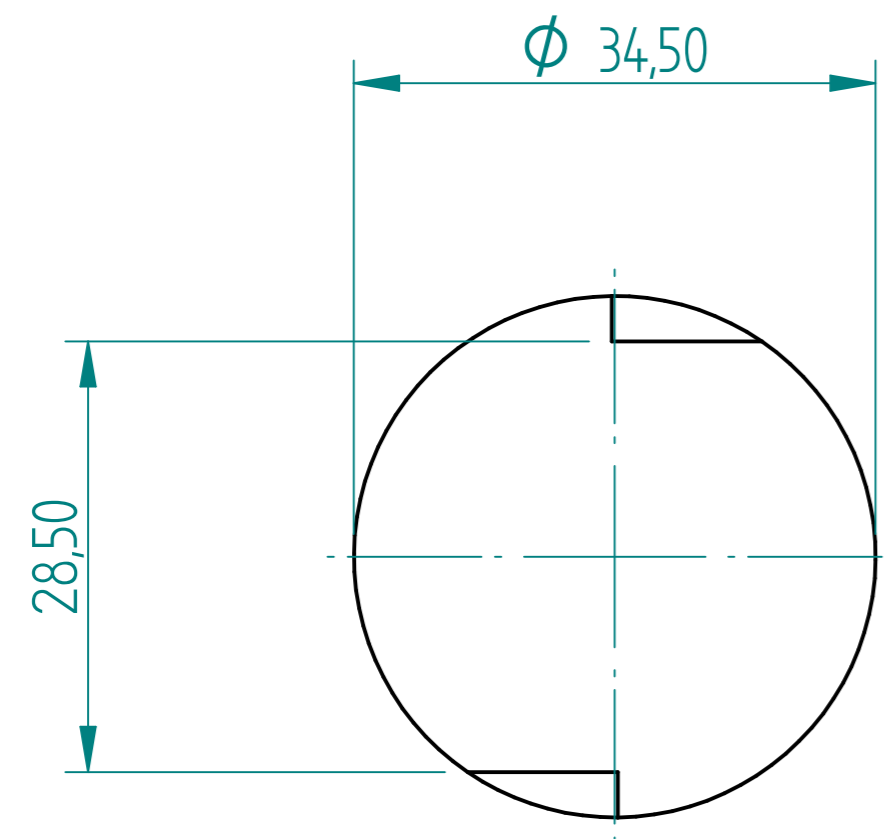


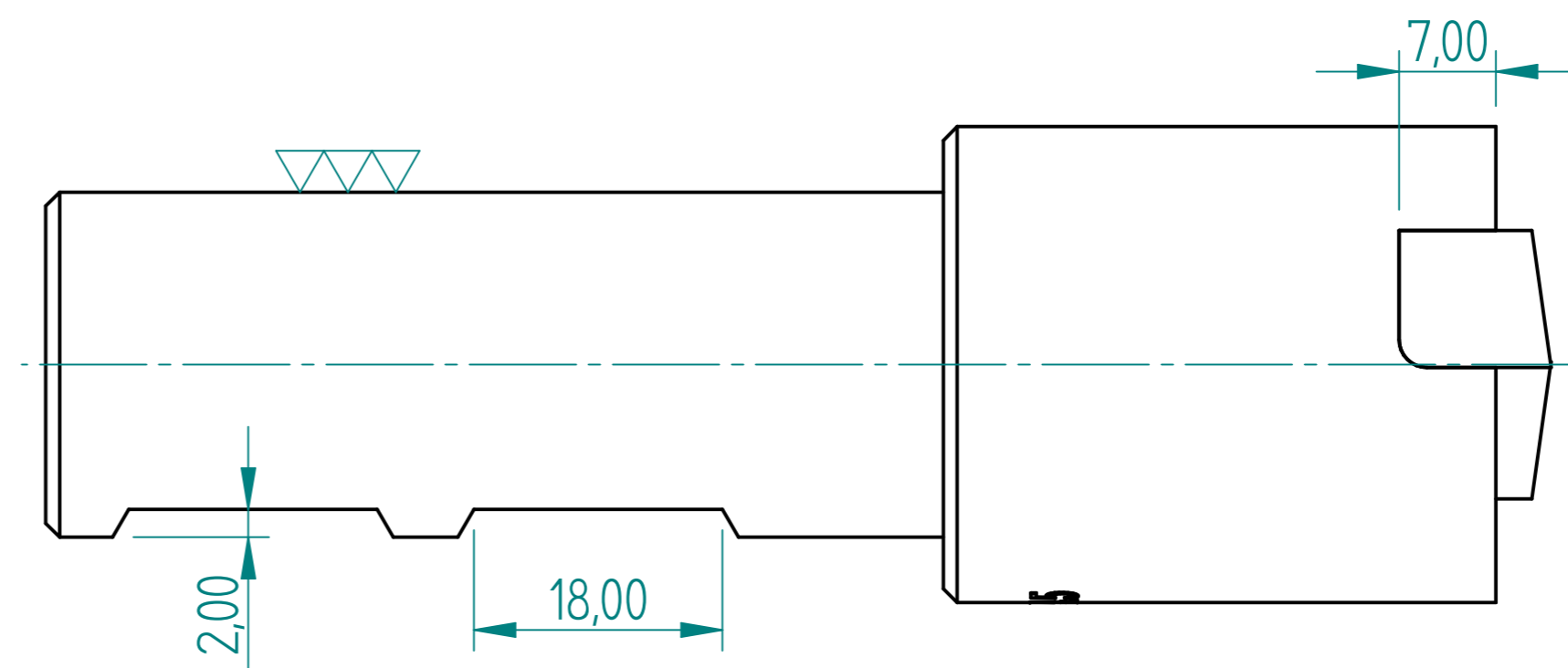
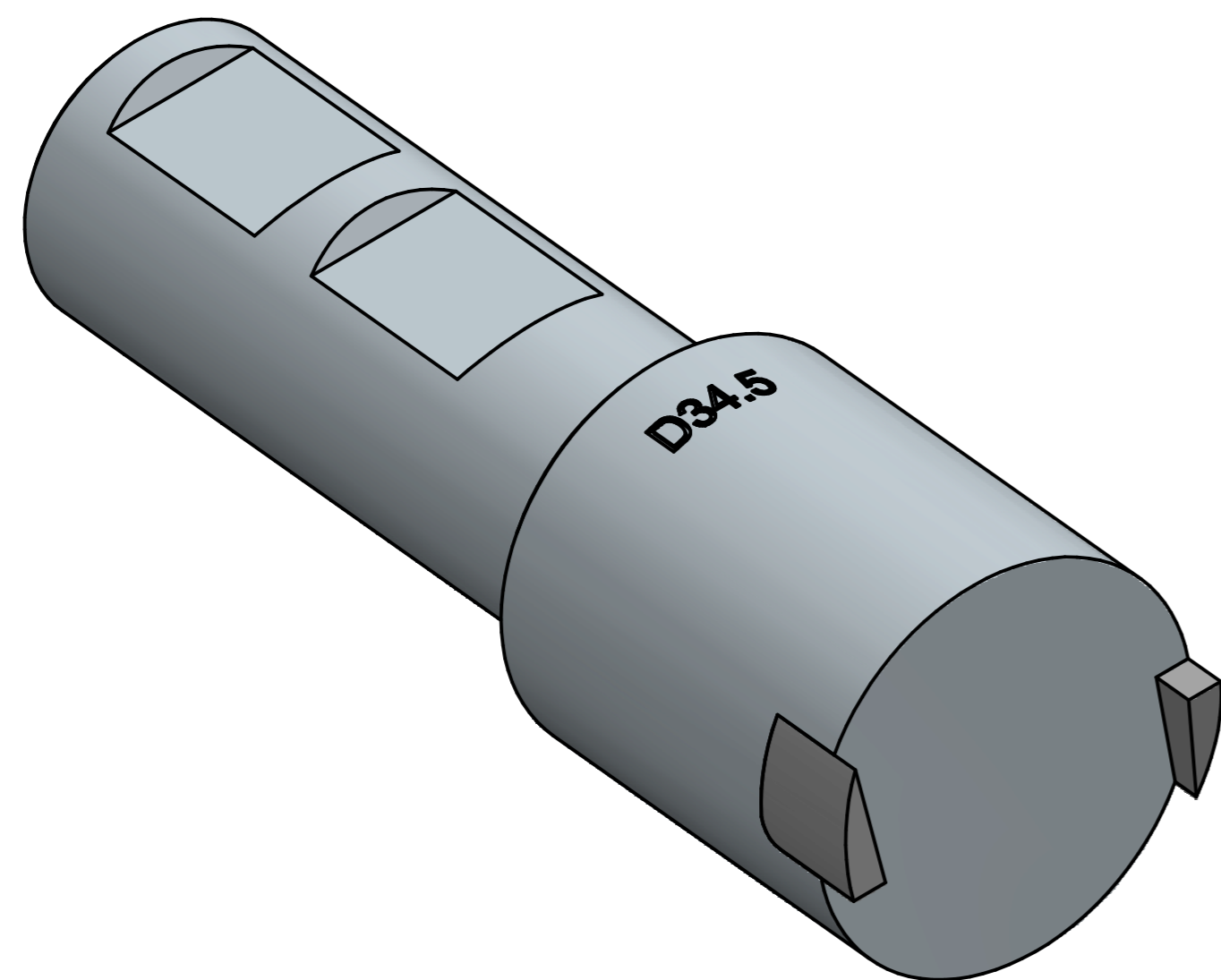
REVISION HISTORY			
REV	DESCRIPTION	DATE	APPROVED



FLATS FOR SIDE-LOCK
TOOL HOLDER

LETTER PUNCH STAMP

CARBIDE STRIP BRAZED
QTY 2



D34.5 O Ring Groove Bar
FOR MACHINING O-RING GROOVE
ON FLAT FACE IN CAST IRON

DRAWN	NAME	DATE	PREMAC	
APPROVED	Dan	04/27/22		
MATERIAL			TITLE	
TREATMENT			FILE NAME: D34.5 O Ring Groove Bar.dft	
UNLESS OTHERWISE SPECIFIED DIMENSIONS ARE IN MILLIMETERS			SIZE A4	DWG NO
ANGLES $\pm 0.1^\circ$			REV	
2 PL ± 0.02 3 PL ± 0.005			SCALE:	WEIGHT:
			SHEET 1 OF 1	