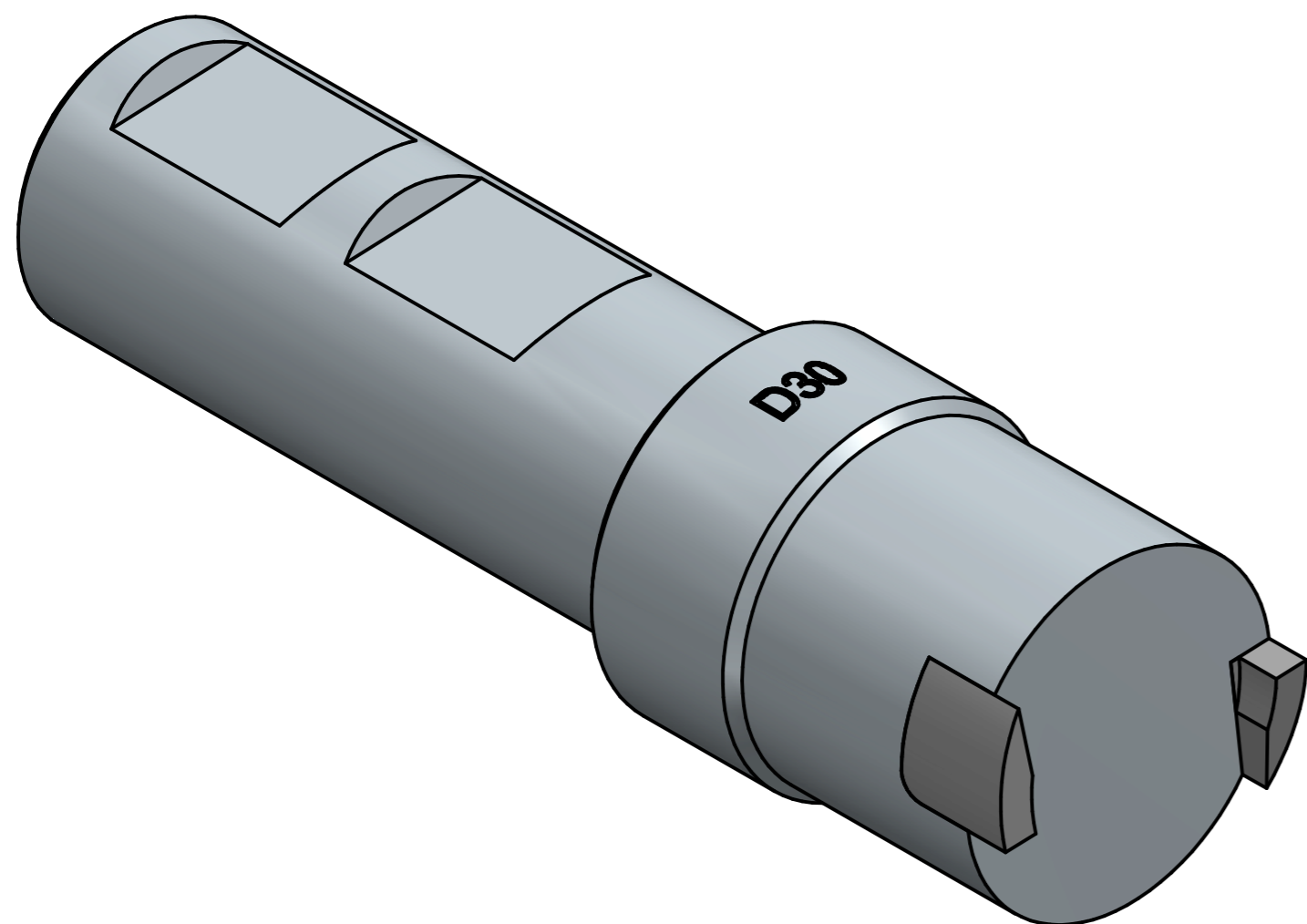
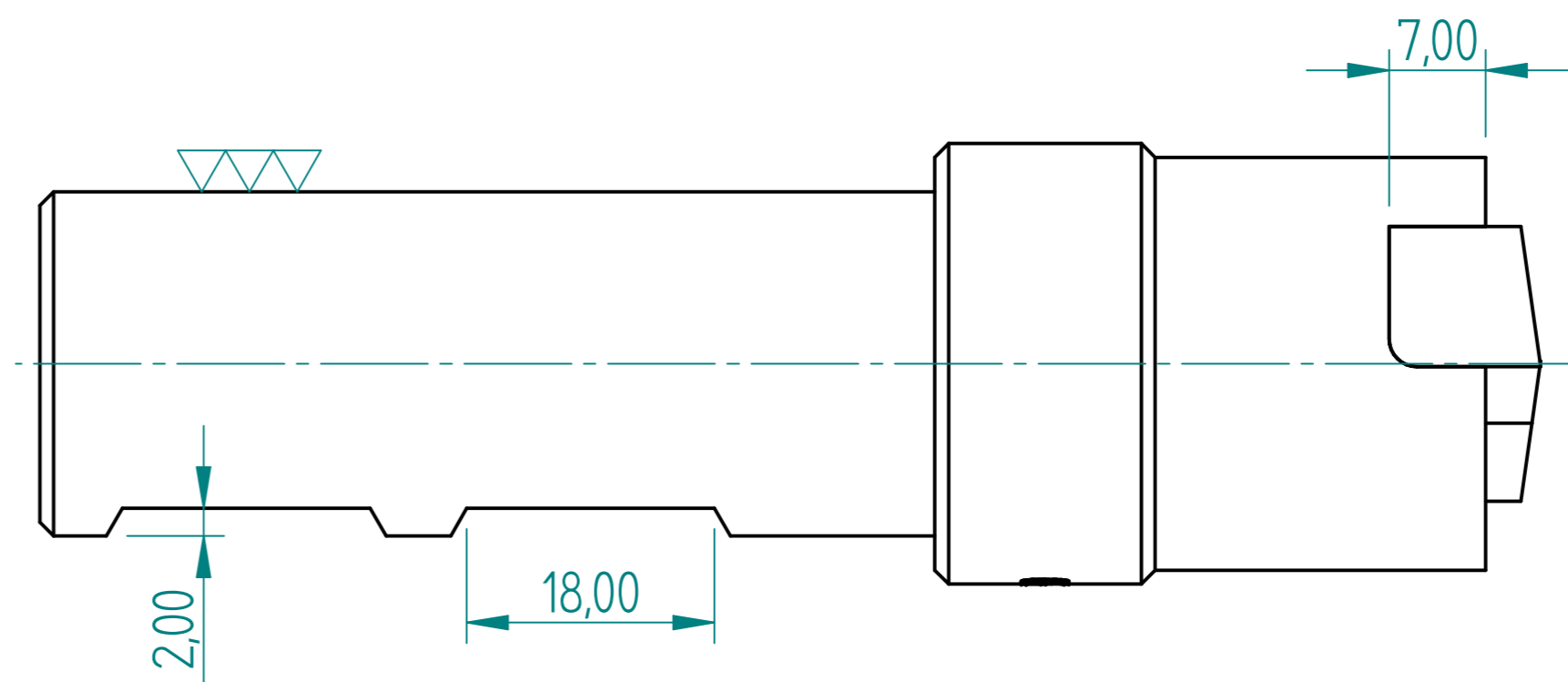
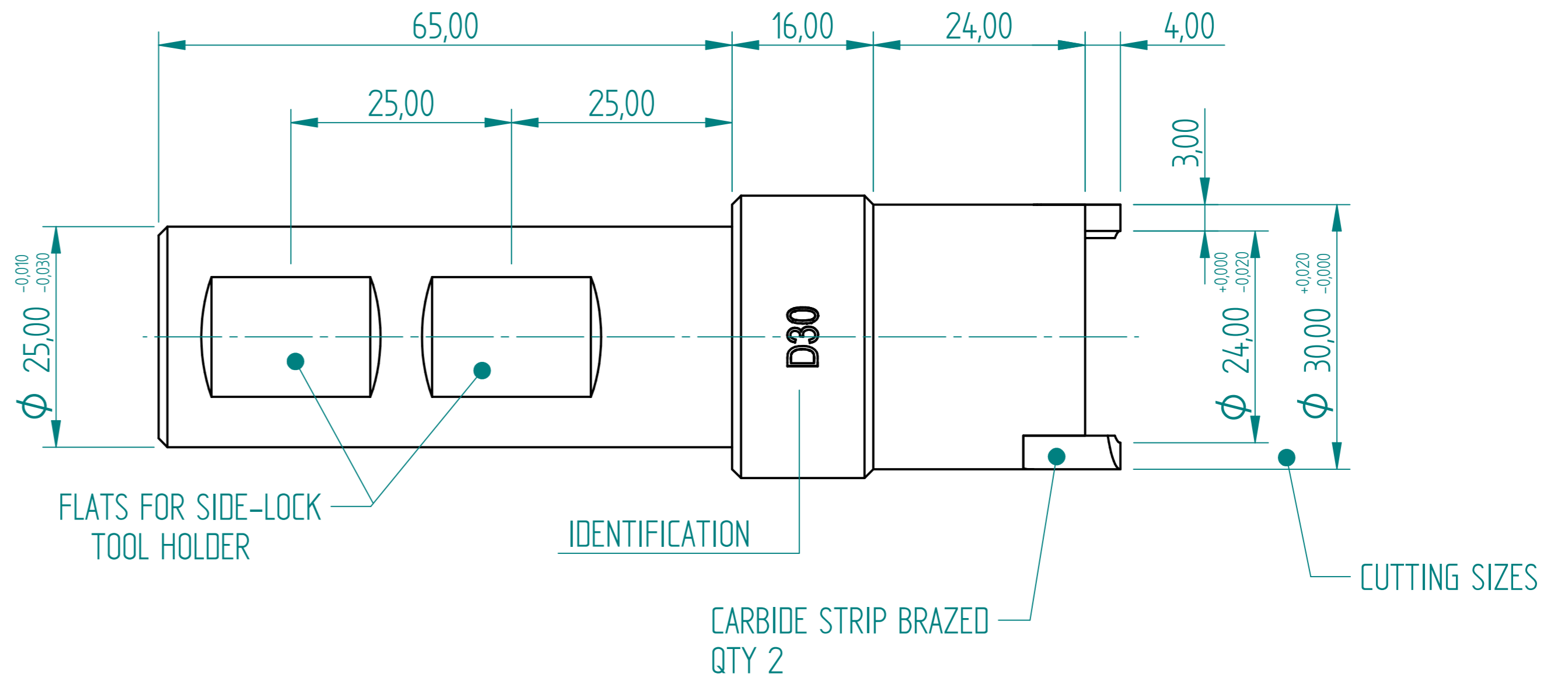
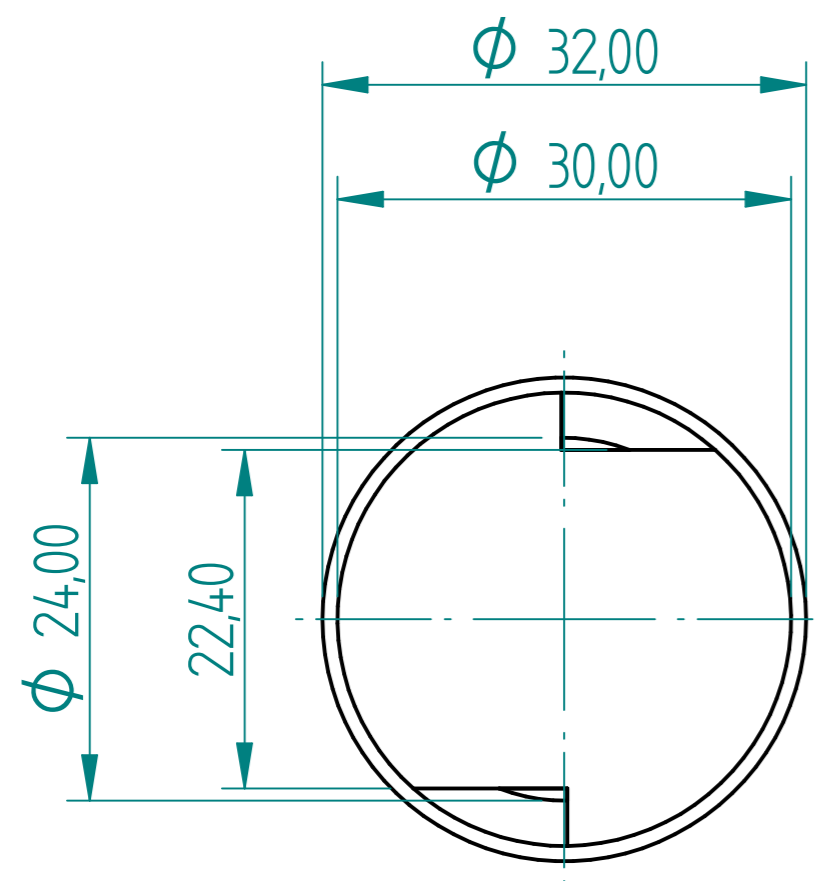


REVISION HISTORY			
REV	DESCRIPTION	DATE	APPROVED



D30 O Ring Groove Bar  
FOR MACHINING O-RING GROOVE  
ON FLAT FACE IN CAST IRON

	NAME	DATE	<b>PREMAC</b>		
DRAWN	Dan	09/04/23			
APPROVED			TITLE D30 O Ring Groove Bar		
MATERIAL					
TREATMENT			SIZE A4	DWG NO	REV
UNLESS OTHERWISE SPECIFIED DIMENSIONS ARE IN MILLIMETERS			FILE NAME: D30 O Ring Groove Bar.dft		
1st ANGLE ANGLES $\pm 0,1^\circ$			SCALE:	WEIGHT:	SHEET 1 OF 1
2 PL $\pm 0,02$ 3 PL $\pm 0,005$					