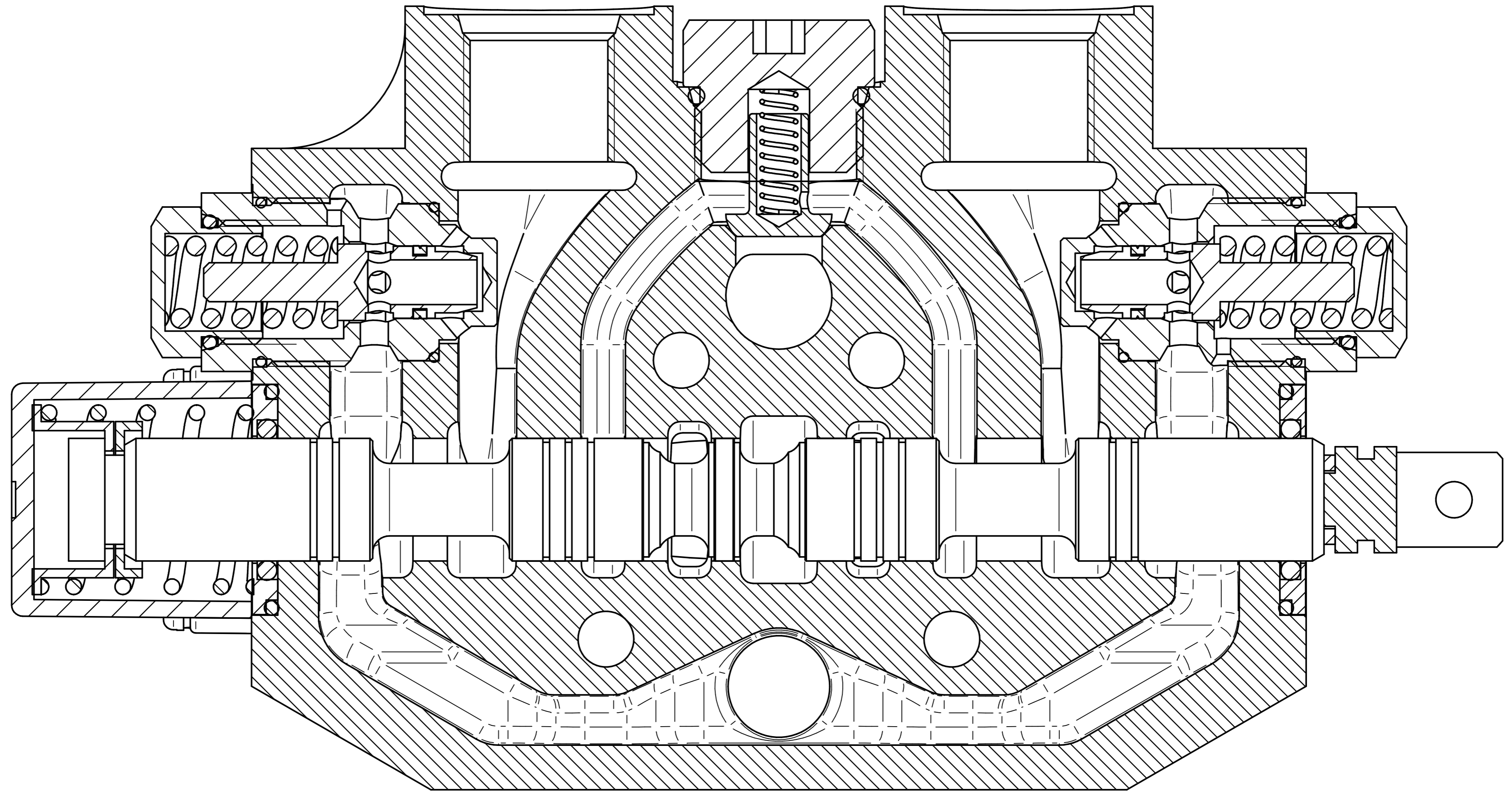


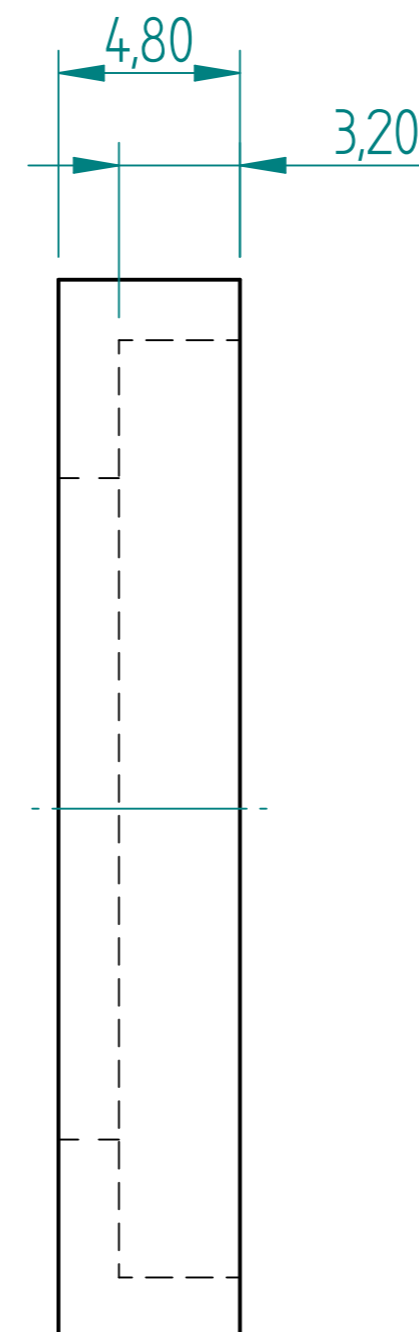
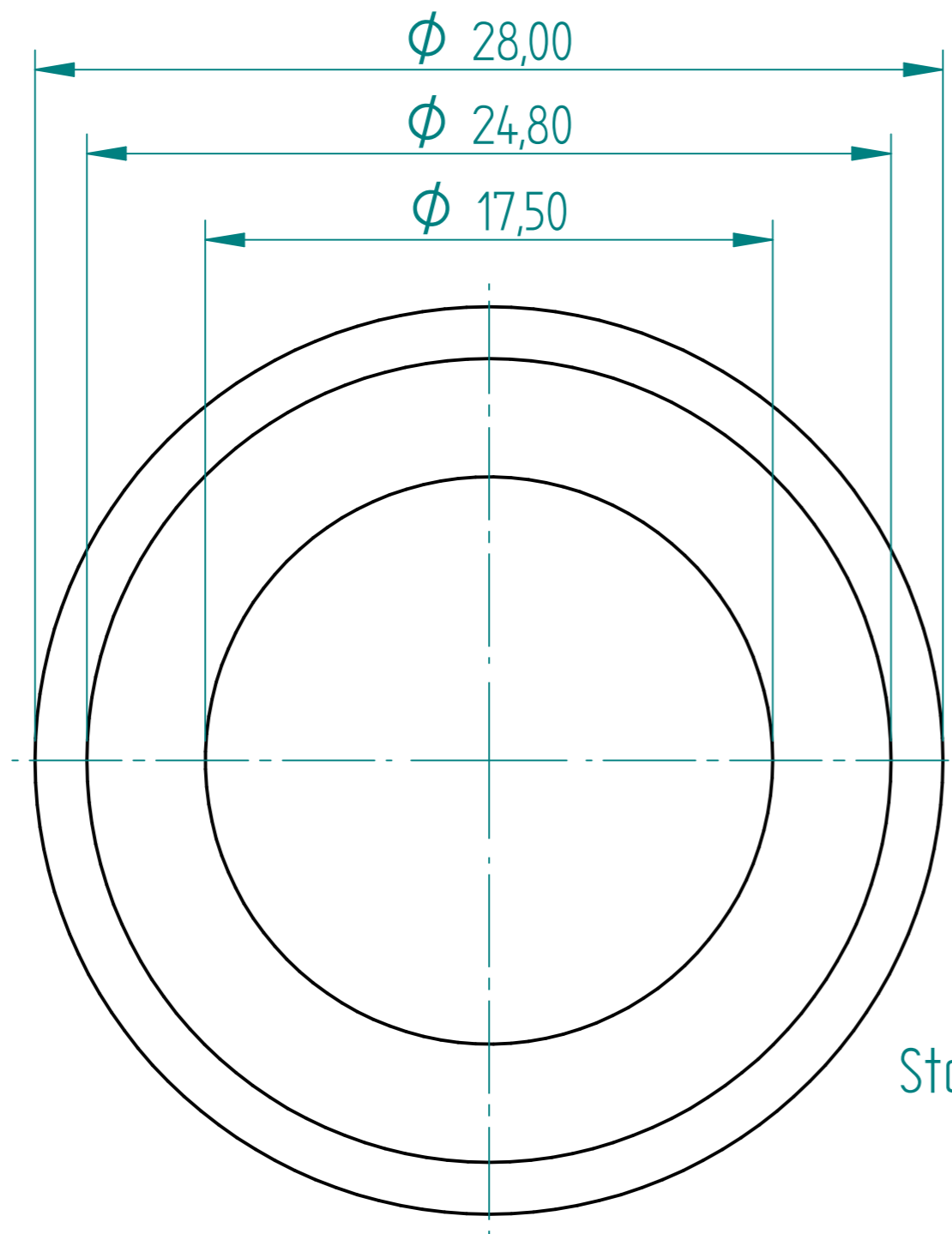
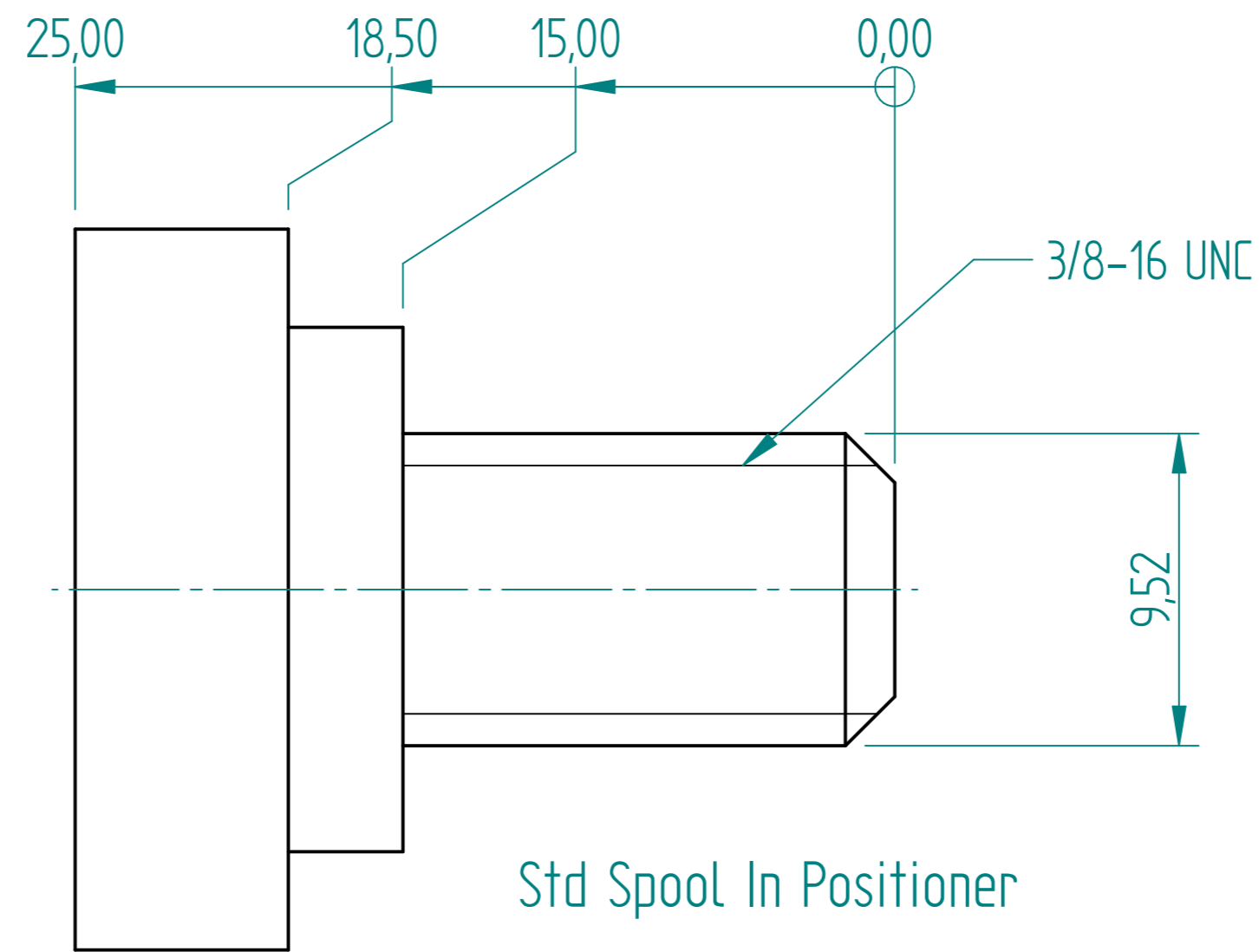
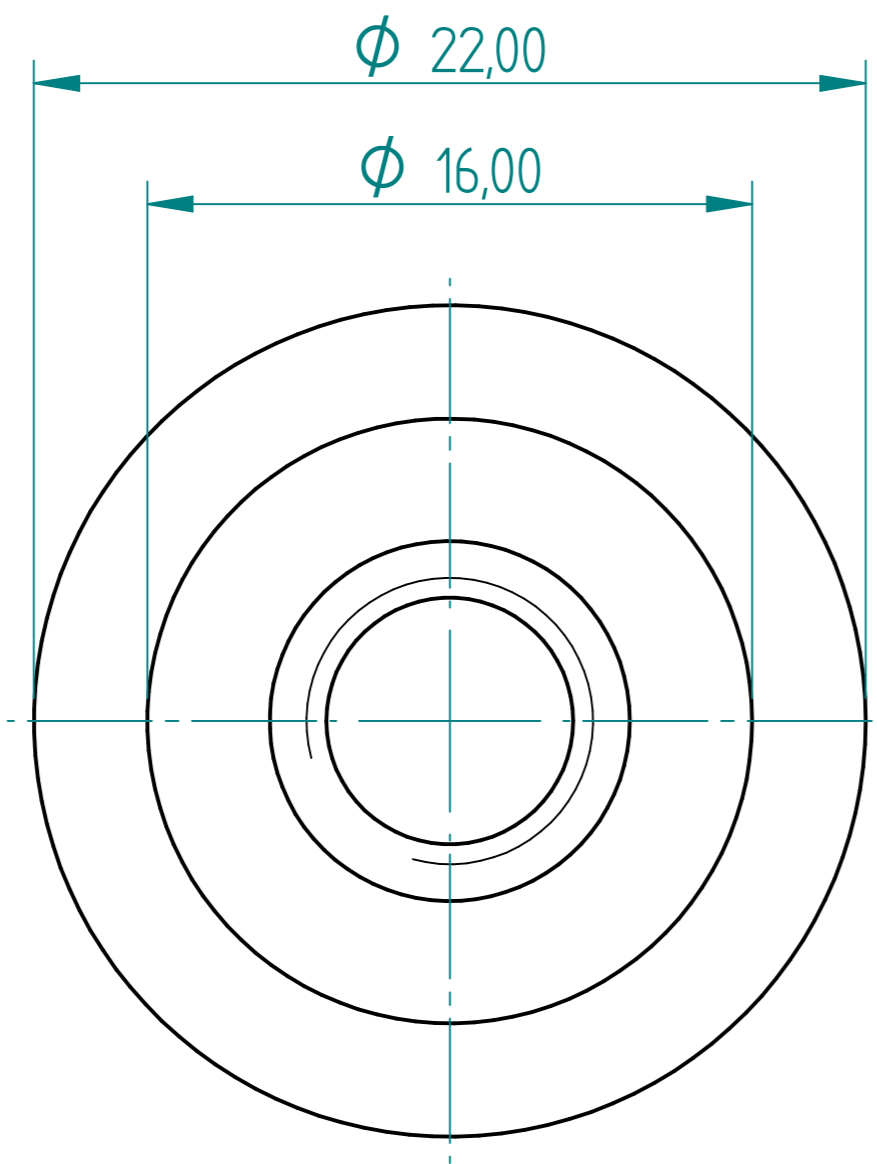
REVISION HISTORY			
REV	DESCRIPTION	DATE	APPROVED



V150 STD LEVER IN

DRAWN	NAME	DATE	<b>PREMAC</b>	
APPROVED	Dan	09/04/23		
MATERIAL			TITLE	
TREATMENT			Std Lever In	
UNLESS OTHERWISE SPECIFIED DIMENSIONS ARE IN MILLIMETERS			SIZE	DWG NO
1st ANGLE ANGLES ±0.1°			A4	REV
2 PL ±0.02 3 PL ±0.005			FILE NAME: Std Lever In.dft	
SCALE:		WEIGHT:	SHEET 1 OF 2	

REVISION HISTORY			
REV	DESCRIPTION	DATE	APPROVED



Std Spring Cup In

DRAWN	NAME	DATE	<b>PREMAC</b>	
APPROVED	Dan	09/04/23		
MATERIAL			TITLE	
TREATMENT			Std Lever In	
UNLESS OTHERWISE SPECIFIED DIMENSIONS ARE IN MILLIMETERS ANGLES ±0.1°			SIZE A4	DWG NO
1st ANGLE			FILE NAME: Std Lever In.dft	REV
2 PL ±0.02 3 PL ±0.005			SCALE:	WEIGHT: SHEET 2 OF 2