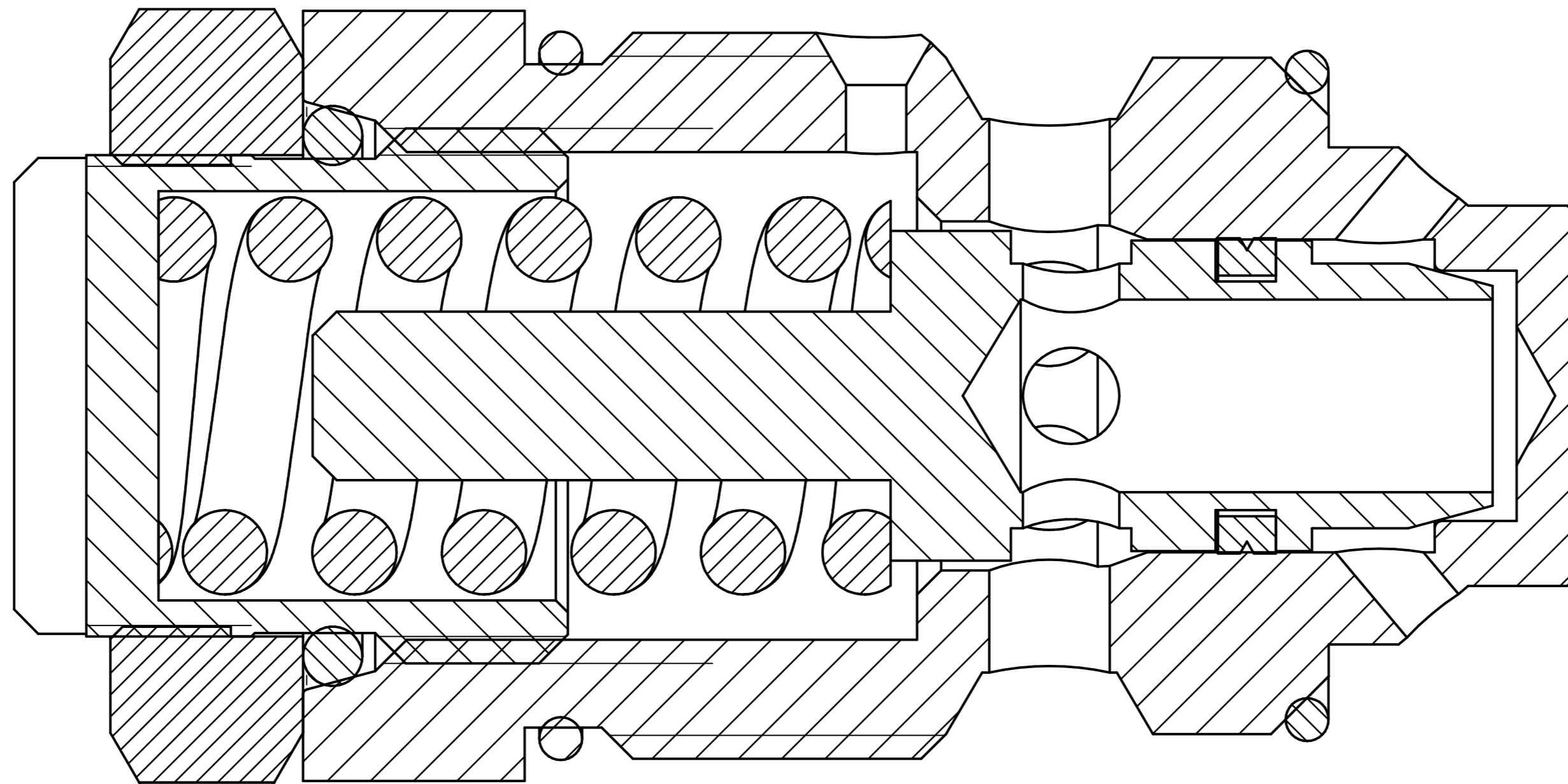
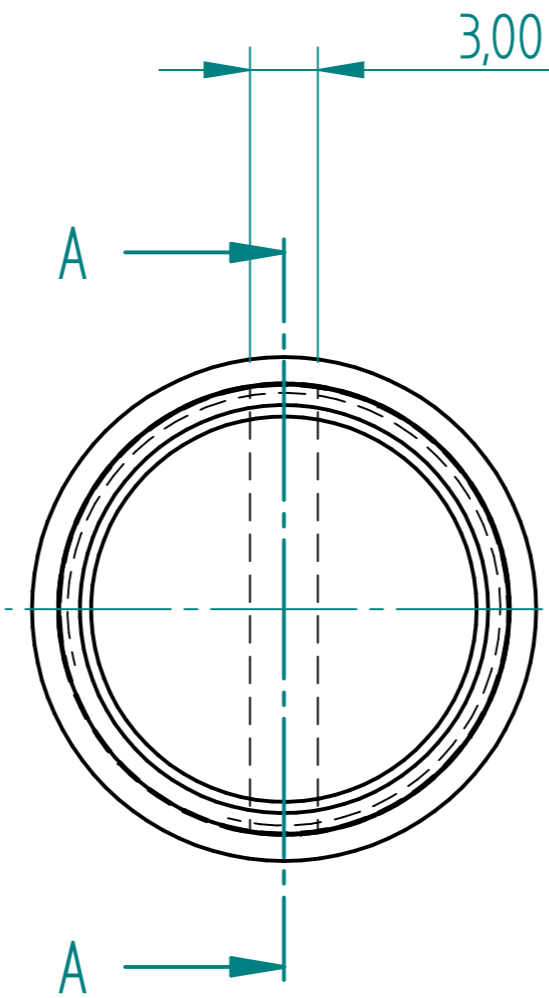
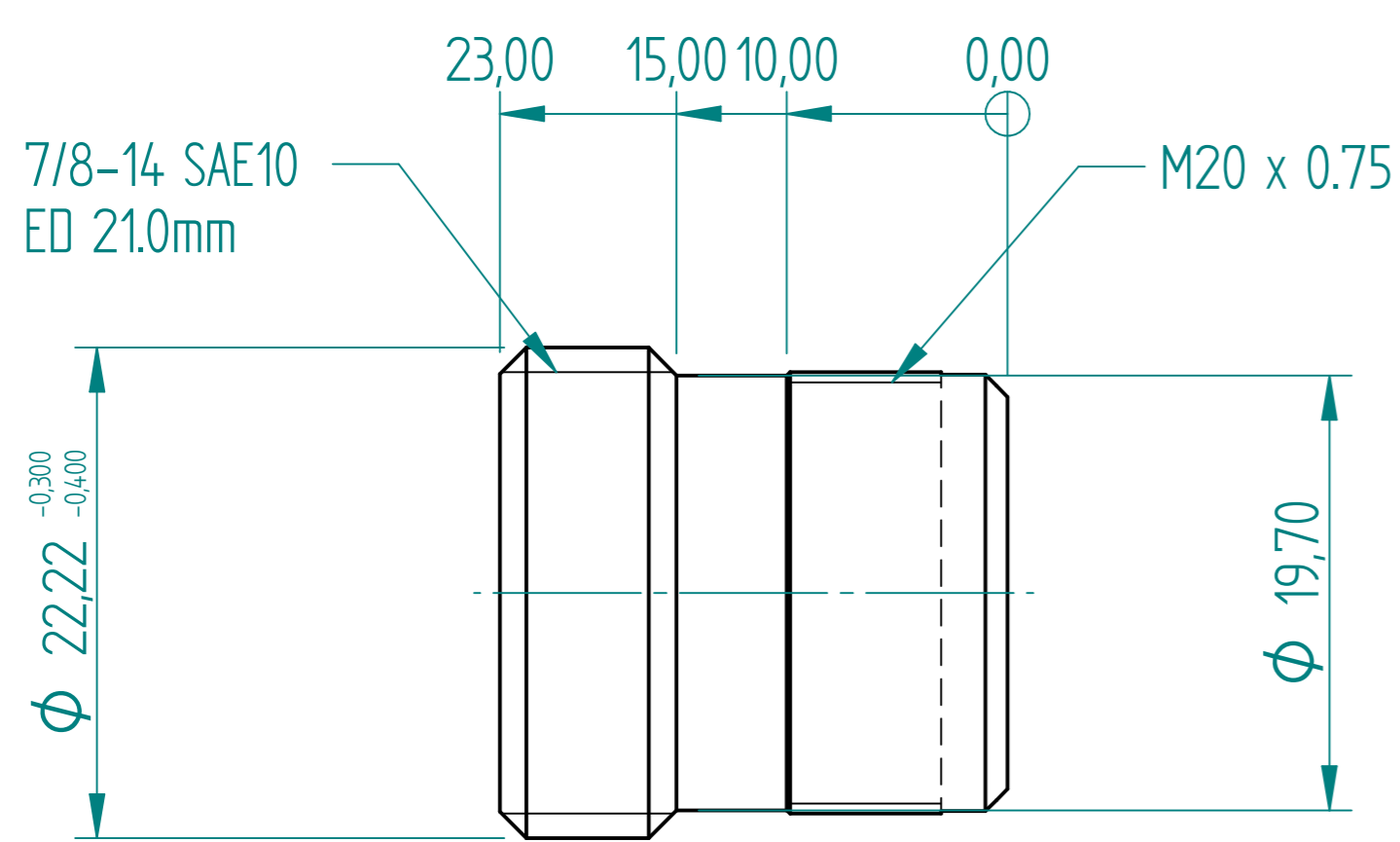


REVISION HISTORY			
REV	DESCRIPTION	DATE	APPROVED

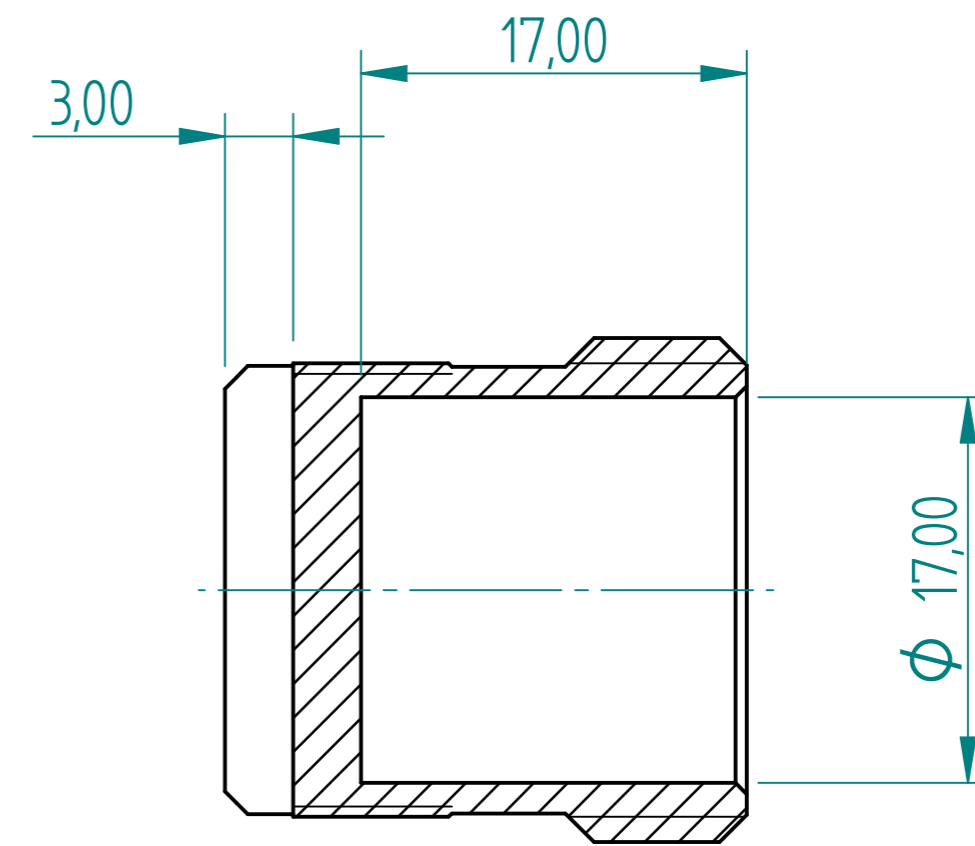


	NAME	DATE	<b>PREMAC</b>	
DRAWN	Dan	09/04/23		
APPROVED				
MATERIAL				
TREATMENT			TITLE	
UNLESS OTHERWISE SPECIFIED DIMENSIONS ARE IN MILLIMETERS			SIZE A4	DWG NO
1 <sup>ST</sup> ANGLE ANGLES ±0.1°			FILE NAME: Port Relief Adjustable.dft	
2 PL ±0.02 3 PL ±0.005			SCALE:	WEIGHT:
			SHEET 1 OF 2	

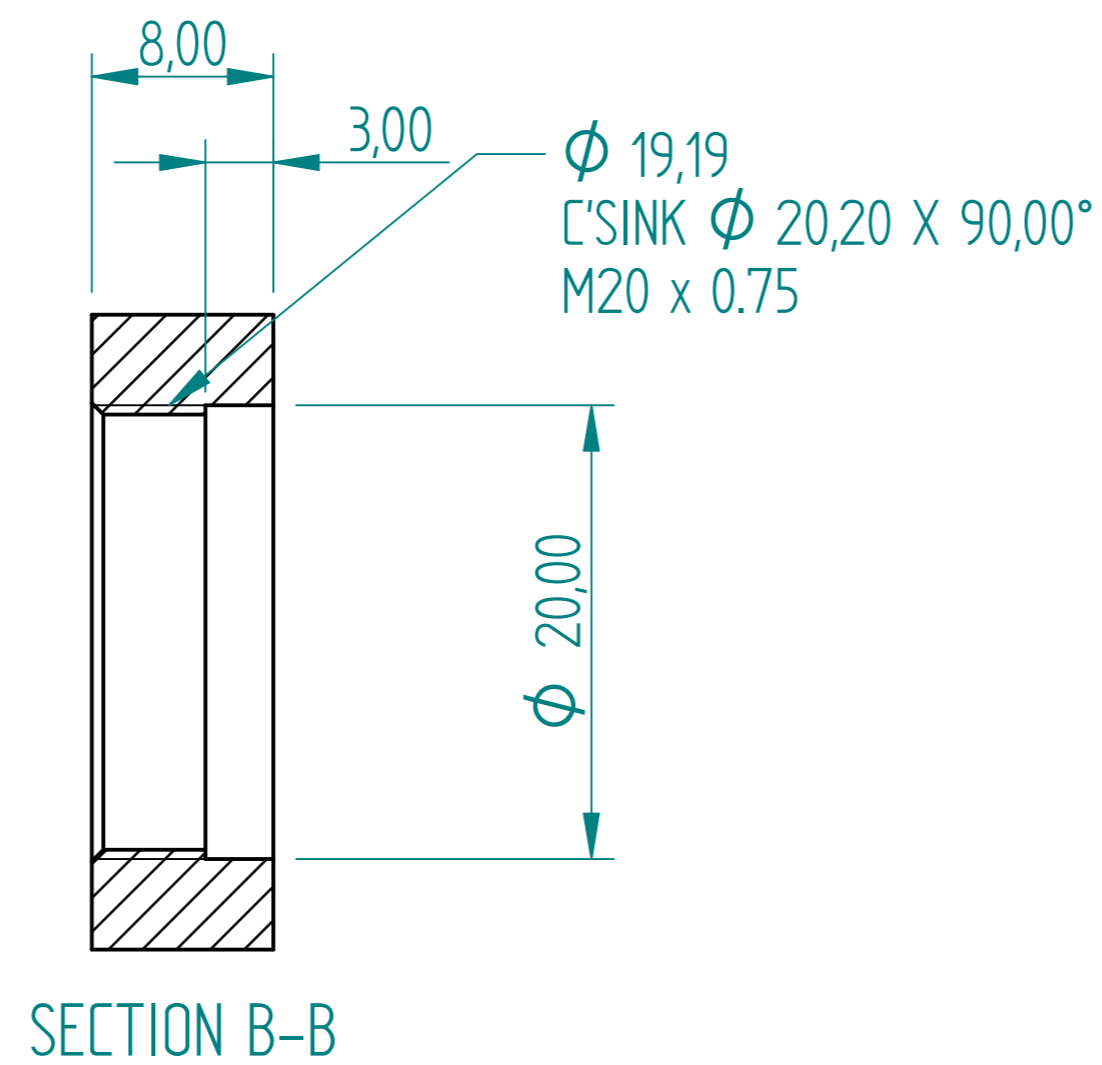
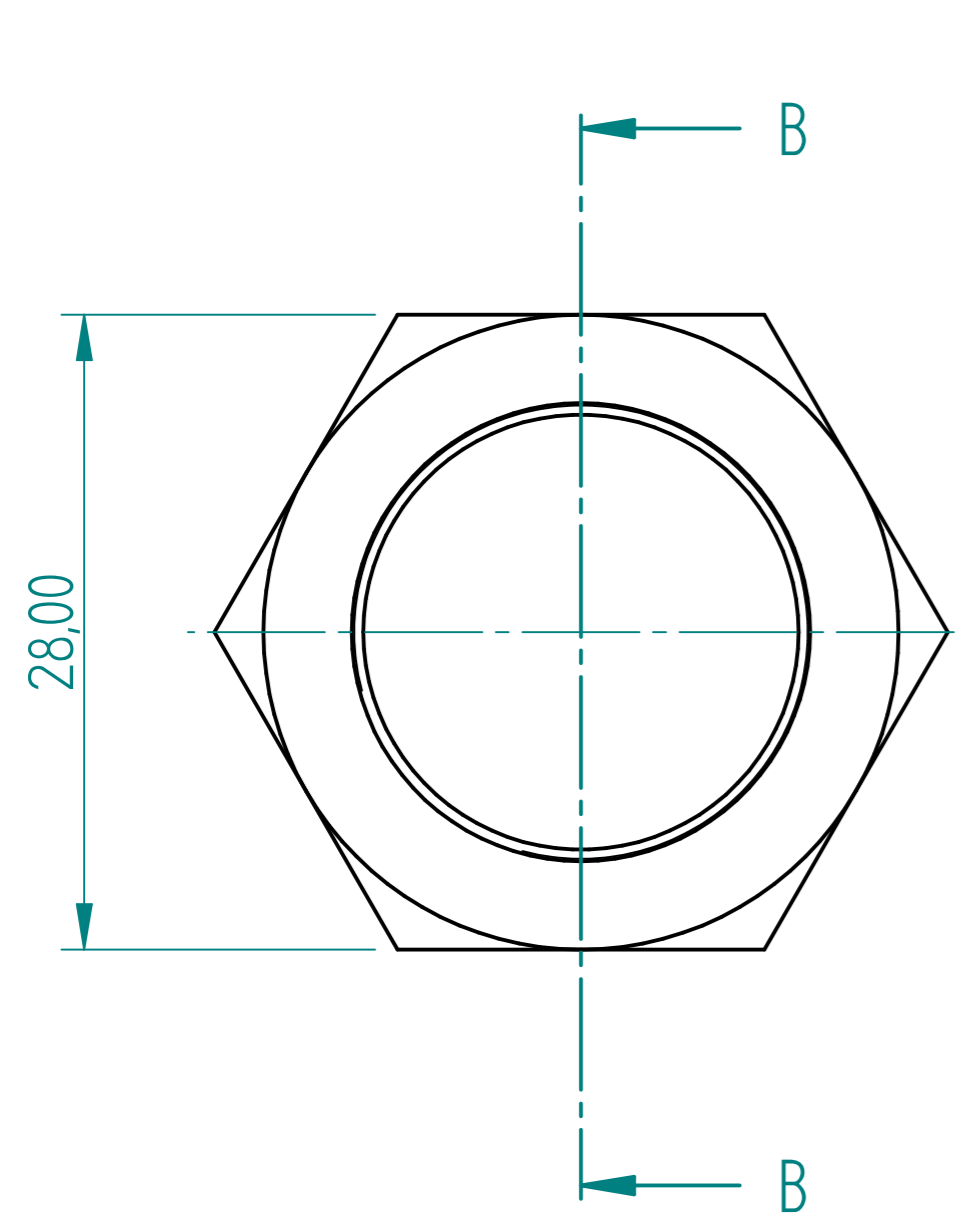
REVISION HISTORY			
REV	DESCRIPTION	DATE	APPROVED



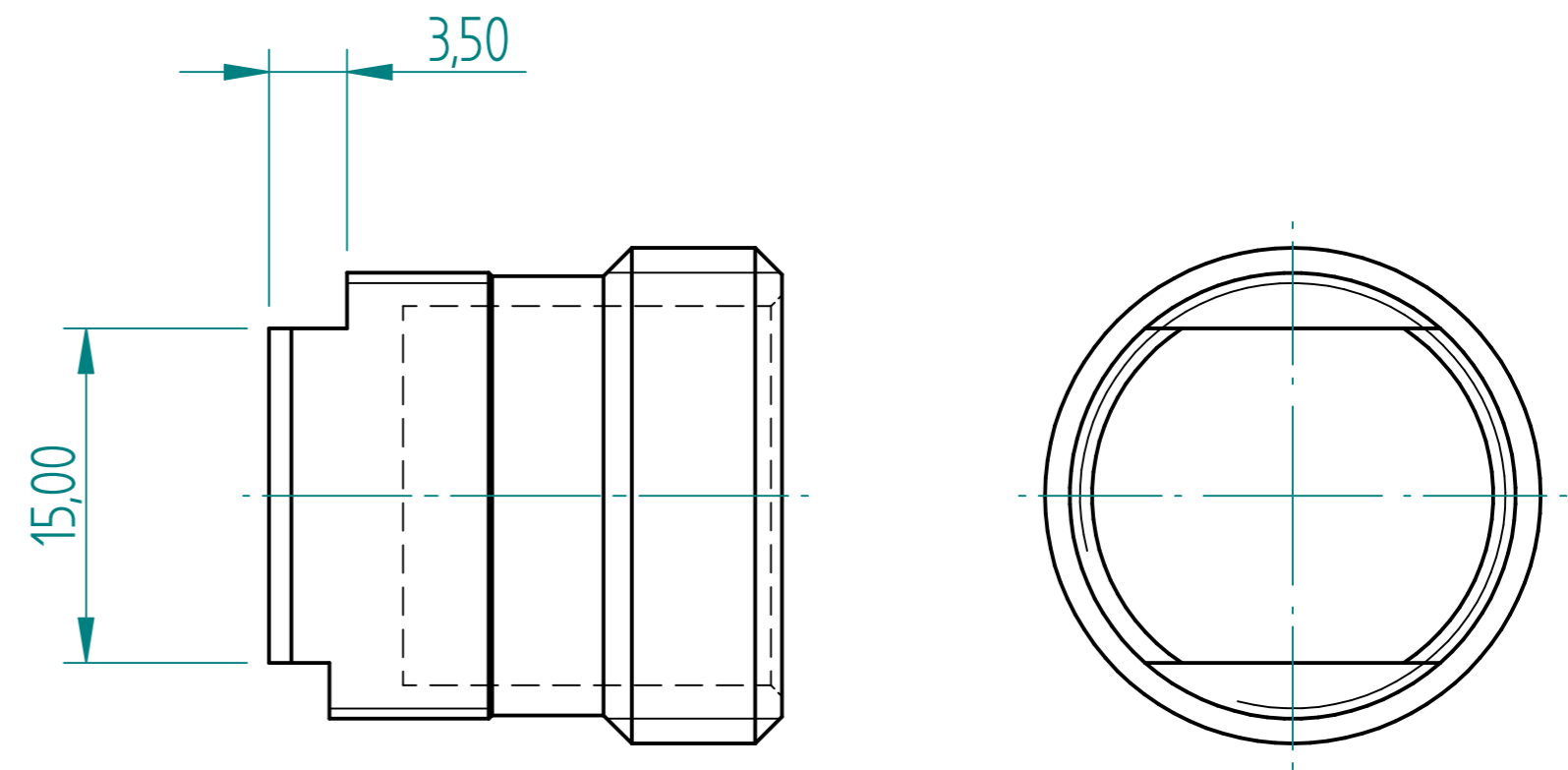
Adjuster Screw



SECTION A-A



Adjuster Nut



DRAWN	NAME	DATE	<b>PREMAC</b>	
APPROVED	Dan	09/04/23		
MATERIAL			TITLE	
TREATMENT			FILE NAME: Port Relief Adjustable.dft	
UNLESS OTHERWISE SPECIFIED DIMENSIONS ARE IN MILLIMETERS ANGLES $\pm 0.1^\circ$			SIZE A4	DWG NO
1st ANGLE			SCALE:	WEIGHT:
2 PL $\pm 0.02$ 3 PL $\pm 0.005$			SHEET 2 OF 2	