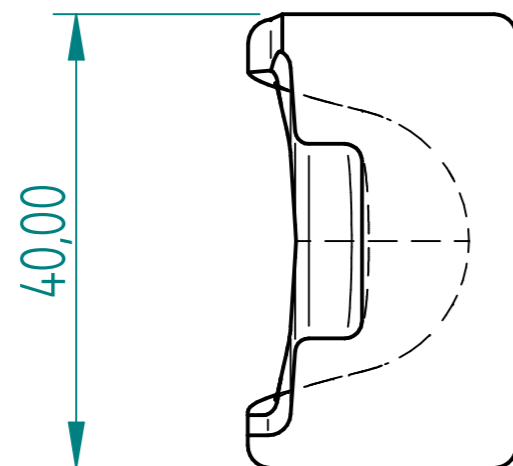
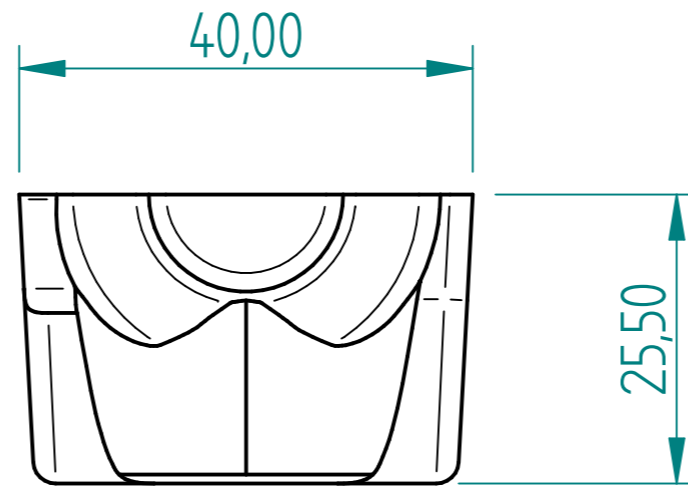
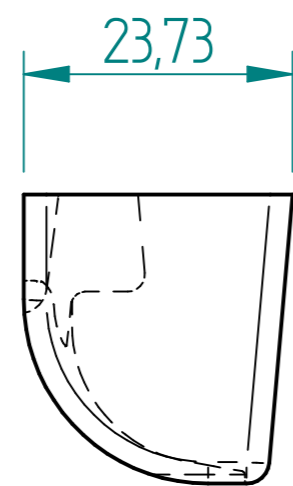
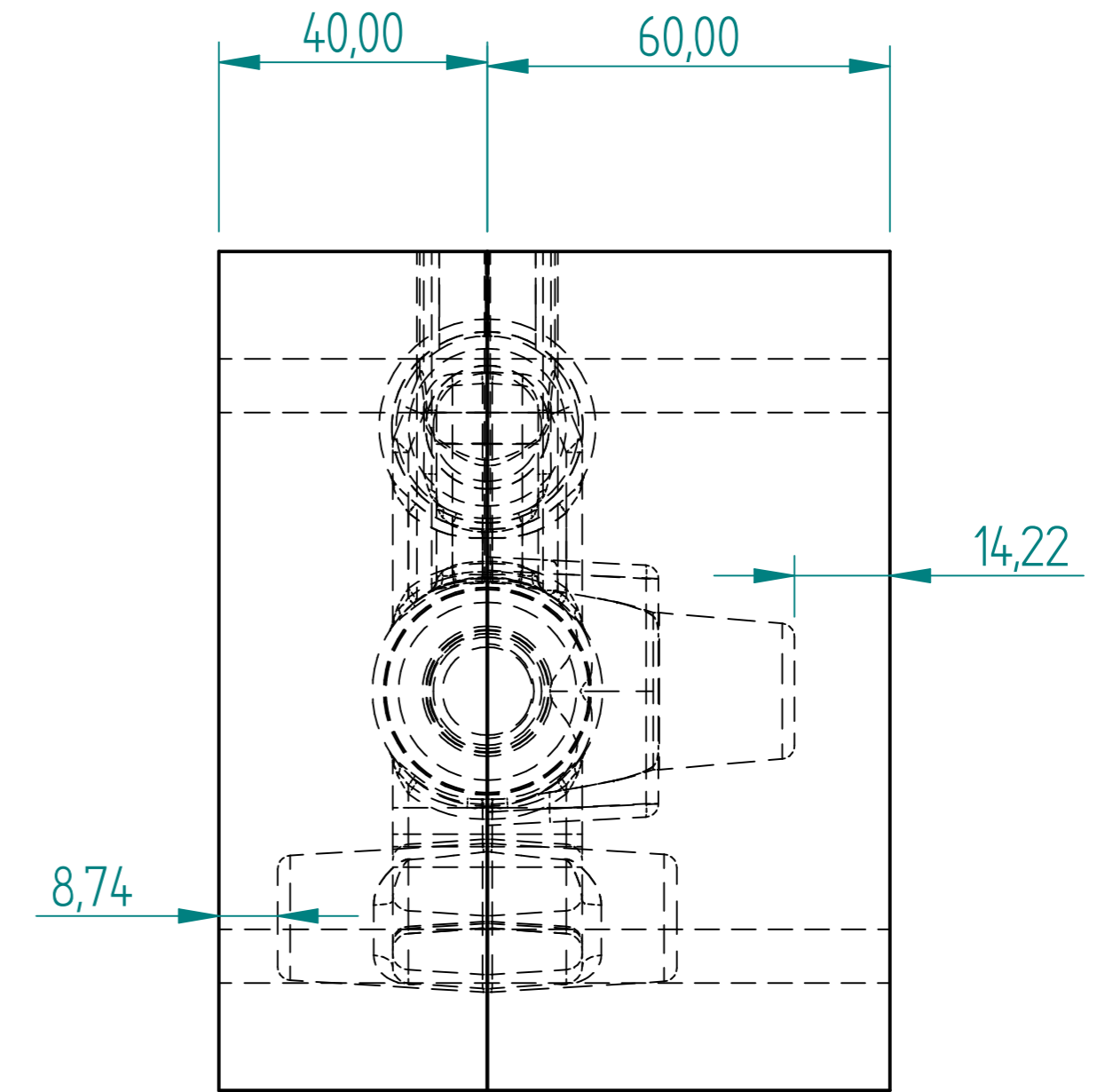
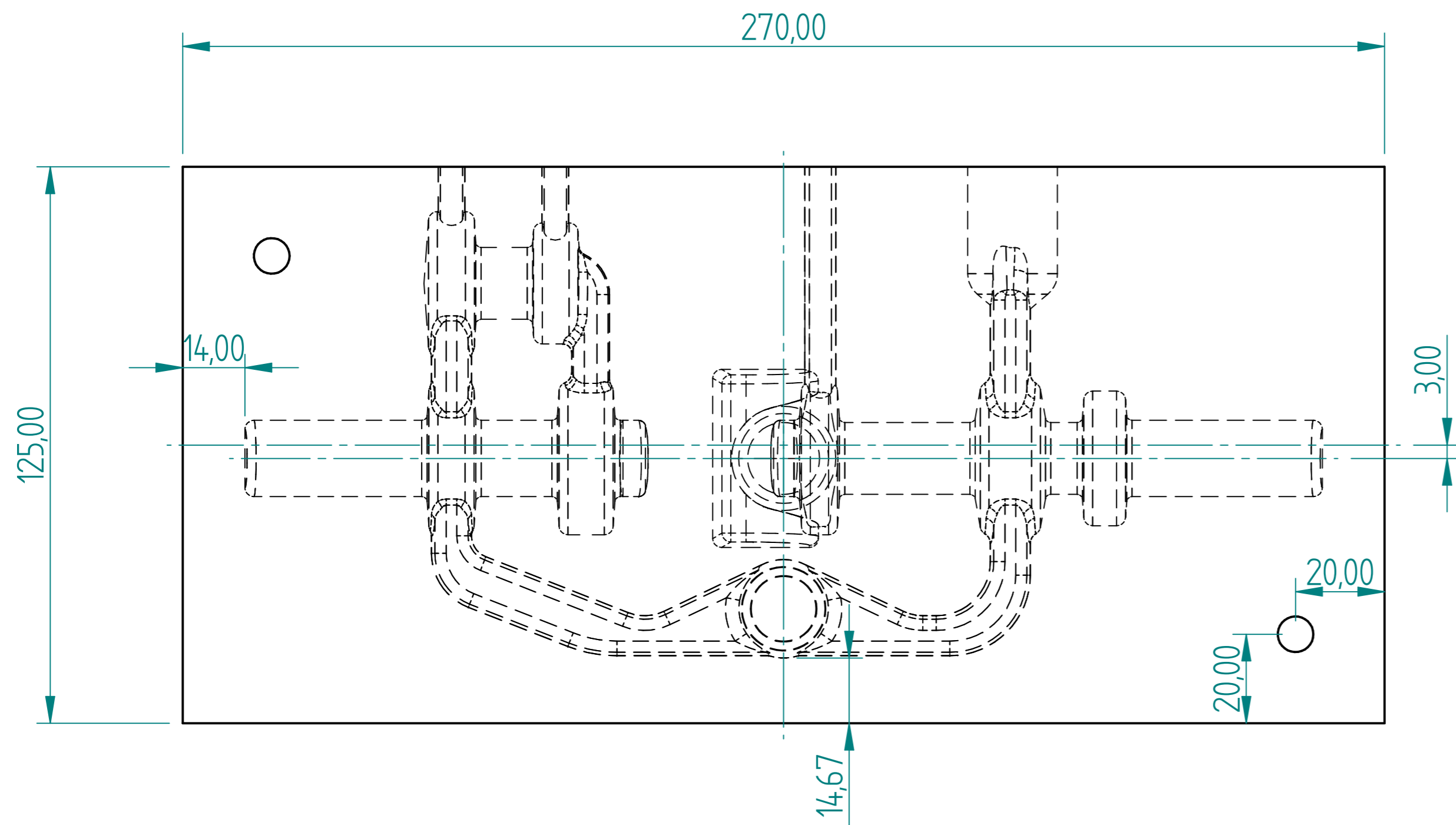


REVISION HISTORY			
REV	DESCRIPTION	DATE	APPROVED



Outer Core Box

DRAWN	NAME	DATE	PREMAC	
APPROVED	Dan	09/04/23		
MATERIAL			TITLE	
TREATMENT			MID INLET OUTER CORE BOX	
UNLESS OTHERWISE SPECIFIED DIMENSIONS ARE IN MILLIMETERS ANGLES ±0.1° 1st ANGLE			SIZE A4	DWG NO
2 PL ±0.02 3 PL ±0.005			FILE NAME: Outer Core Box.dft	REV
SCALE:		WEIGHT:	SHEET 1 OF 1	