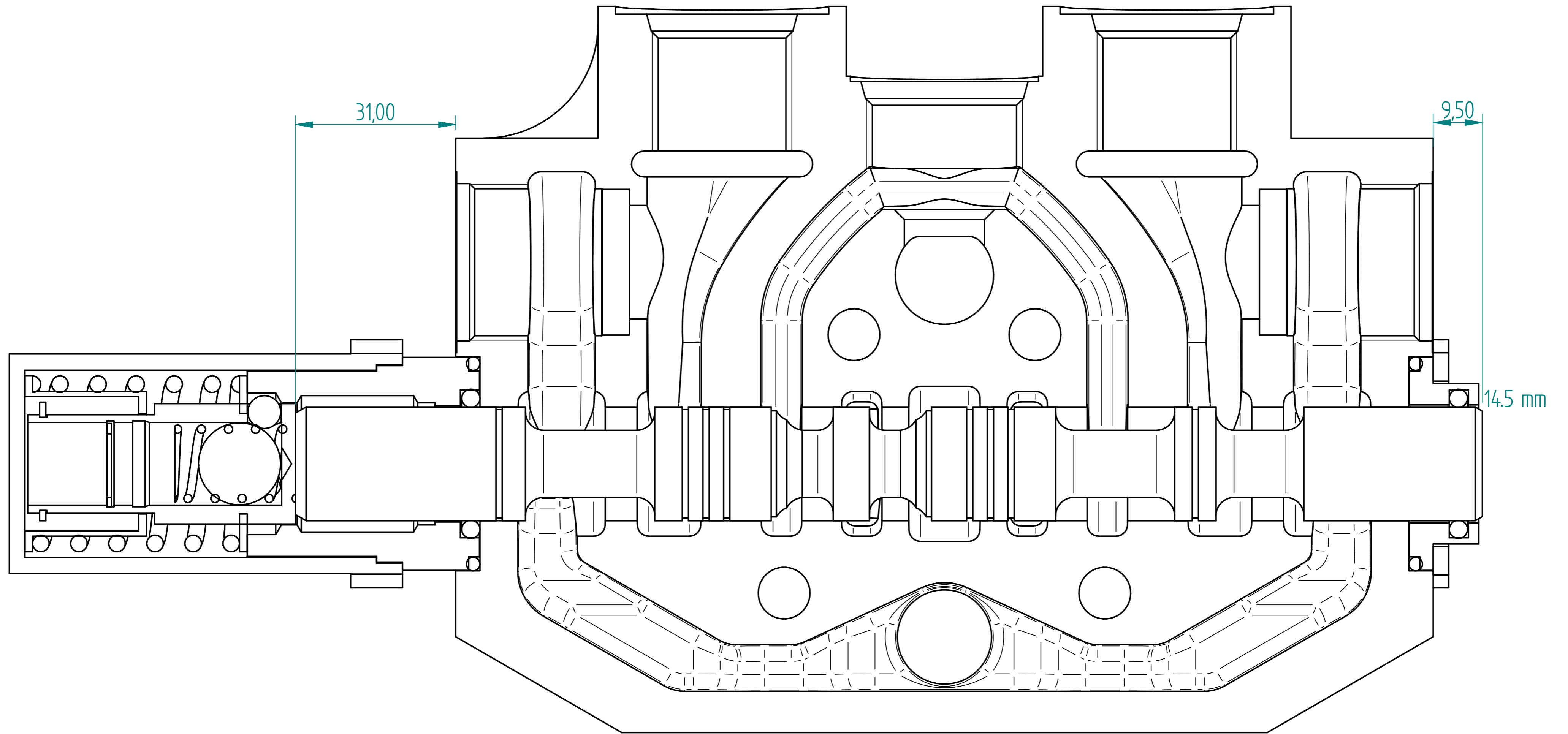


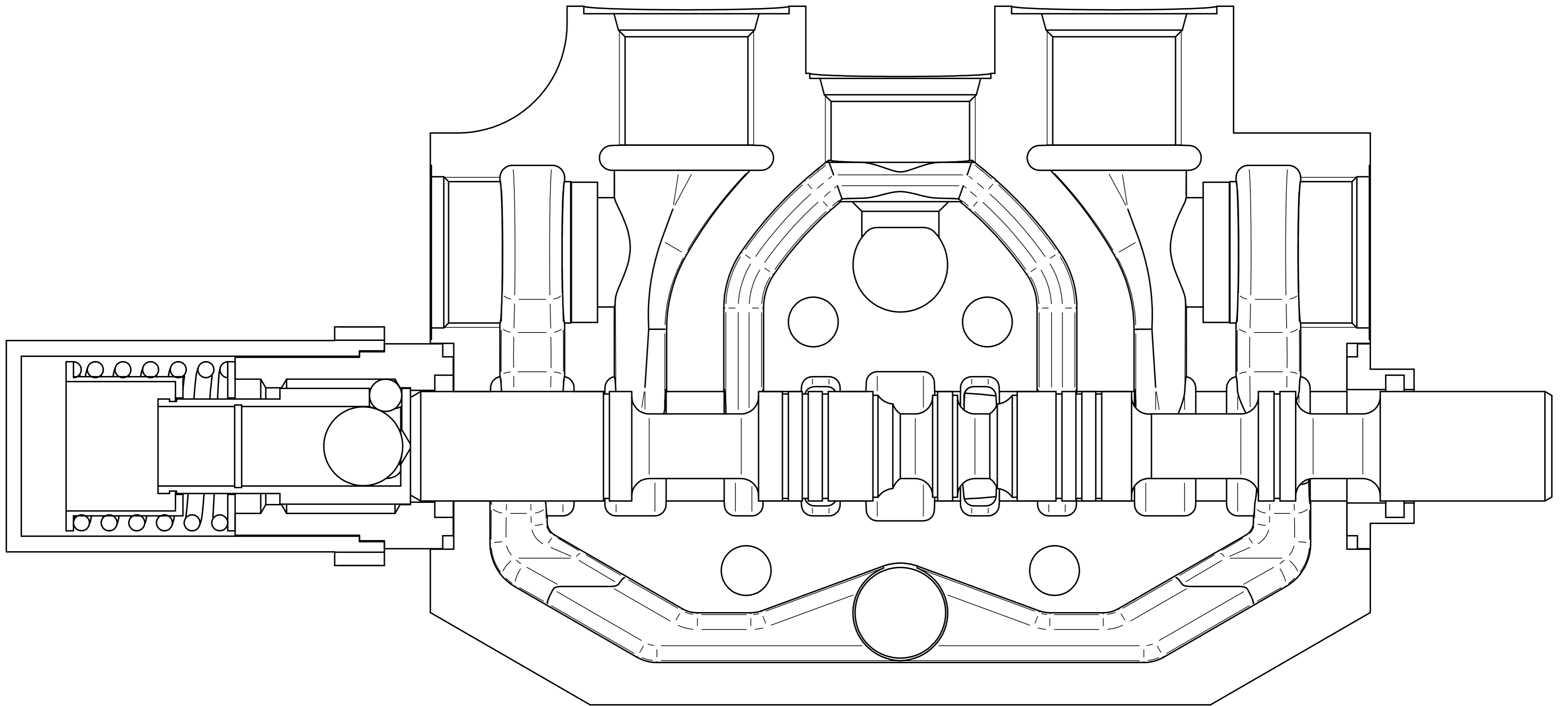
| REVISION HISTORY | | | |
|------------------|-------------|------|----------|
| REV | DESCRIPTION | DATE | APPROVED |
| | | | |



FLOAT LEVER IN

| | | | | | |
|--|------|----------|-------------------------------|--------|--------------|
| DRAWN | NAME | DATE | PREMAC | | |
| APPROVED | Dan | 09/04/23 | | | |
| MATERIAL | | | TITLE | | |
| TREATMENT | | | Float Lever In | | |
| UNLESS OTHERWISE SPECIFIED DIMENSIONS ARE IN MILLIMETERS ANGLES ±0.1° 1 ST ANGLE | | | SIZE | DWG NO | REV |
| | | | A4 | | |
| 2 PL ±0.02 3 PL ±0.005 | | | FILE NAME: Float Lever In.dft | SCALE: | WEIGHT: |
| | | | | | SHEET 1 OF 7 |

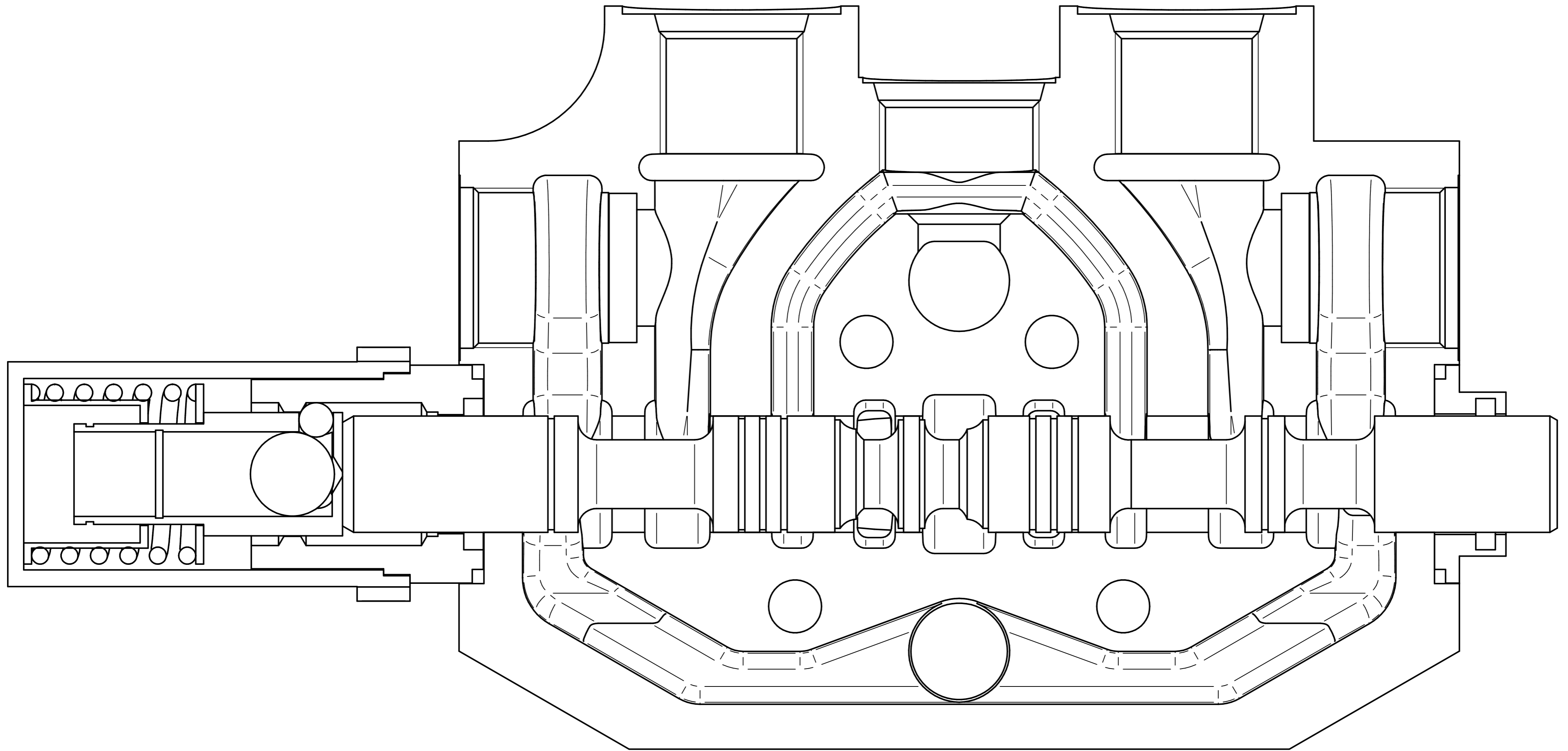
| REVISION HISTORY | | | |
|------------------|-------------|------|----------|
| REV | DESCRIPTION | DATE | APPROVED |
| | | | |



FLOAT IN
OUT POSITION

| | | | | |
|---|------|----------|-------------------------------|---------|
| DRAWN | NAME | DATE | PREMAC | |
| APPROVED | Dan | 09/04/23 | TITLE | |
| MATERIAL | | | Float Lever In | |
| TREATMENT | | | SIZE | DWG NO |
| | | | A4 | REV |
| UNLESS OTHERWISE SPECIFIED DIMENSIONS ARE IN MILLIMETERS | | | FILE NAME: Float Lever In.dft | |
| 1st ANGLE ANGLES ±0.1° | | | SCALE: | WEIGHT: |
| 2 PL ±0.02 3 PL ±0.005 | | | SHEET 2 OF 7 | |

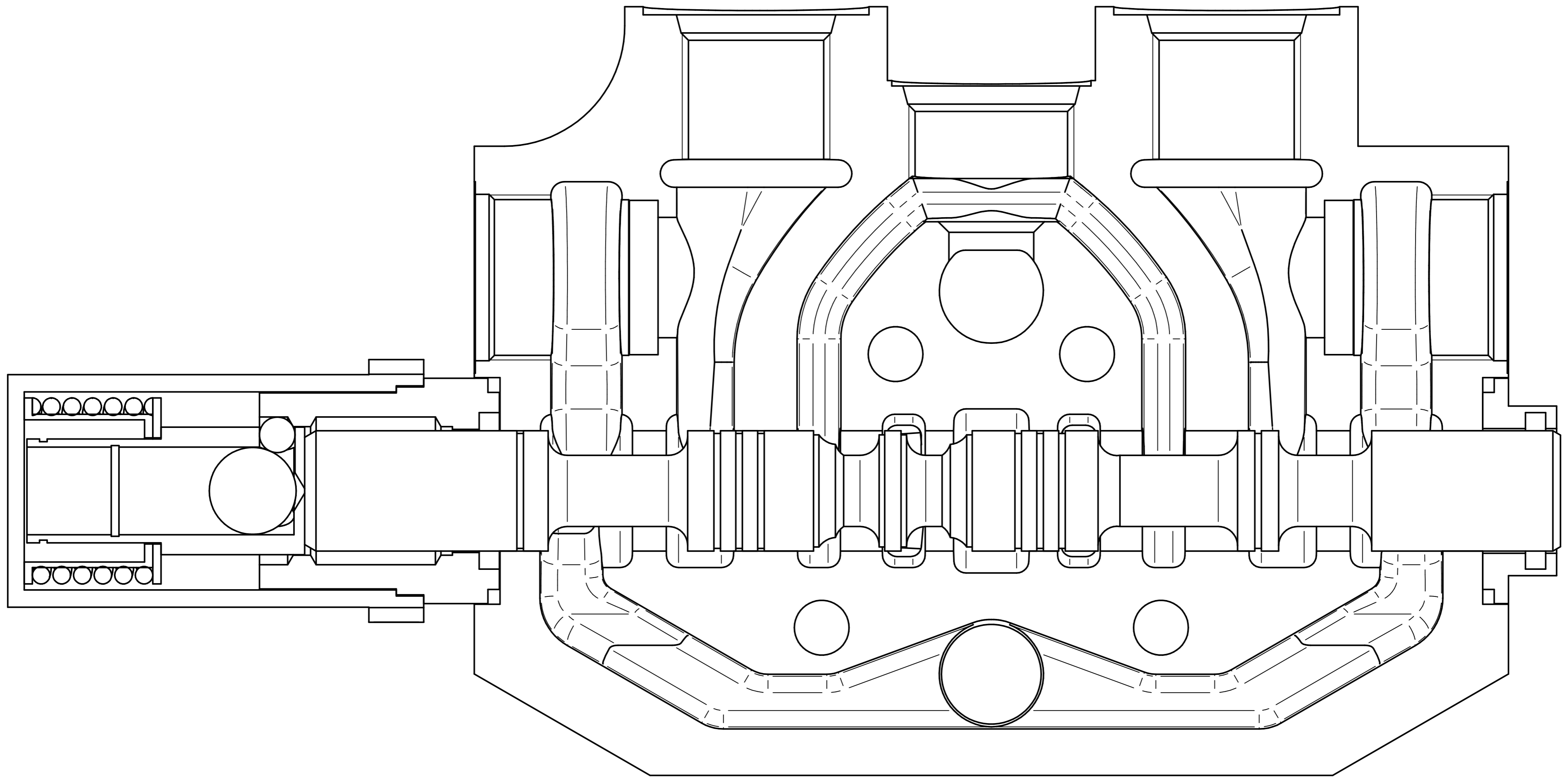
| REVISION HISTORY | | | |
|------------------|-------------|------|----------|
| REV | DESCRIPTION | DATE | APPROVED |
| | | | |



FLOAT IN
IN POSITION

| | | | | |
|--|------|----------|-------------------------------|---------|
| DRAWN | NAME | DATE | PREMAC | |
| APPROVED | Dan | 09/04/23 | TITLE | |
| MATERIAL | | | Float Lever In | |
| TREATMENT | | | SIZE | DWG NO |
| UNLESS OTHERWISE SPECIFIED DIMENSIONS ARE IN MILLIMETERS ANGLES ±0.1° 1st ANGLE | | | A4 | REV |
| | | | FILE NAME: Float Lever In.dft | |
| 2 PL ±0.02 3 PL ±0.005 | | | SCALE: | WEIGHT: |
| | | | SHEET 3 OF 7 | |

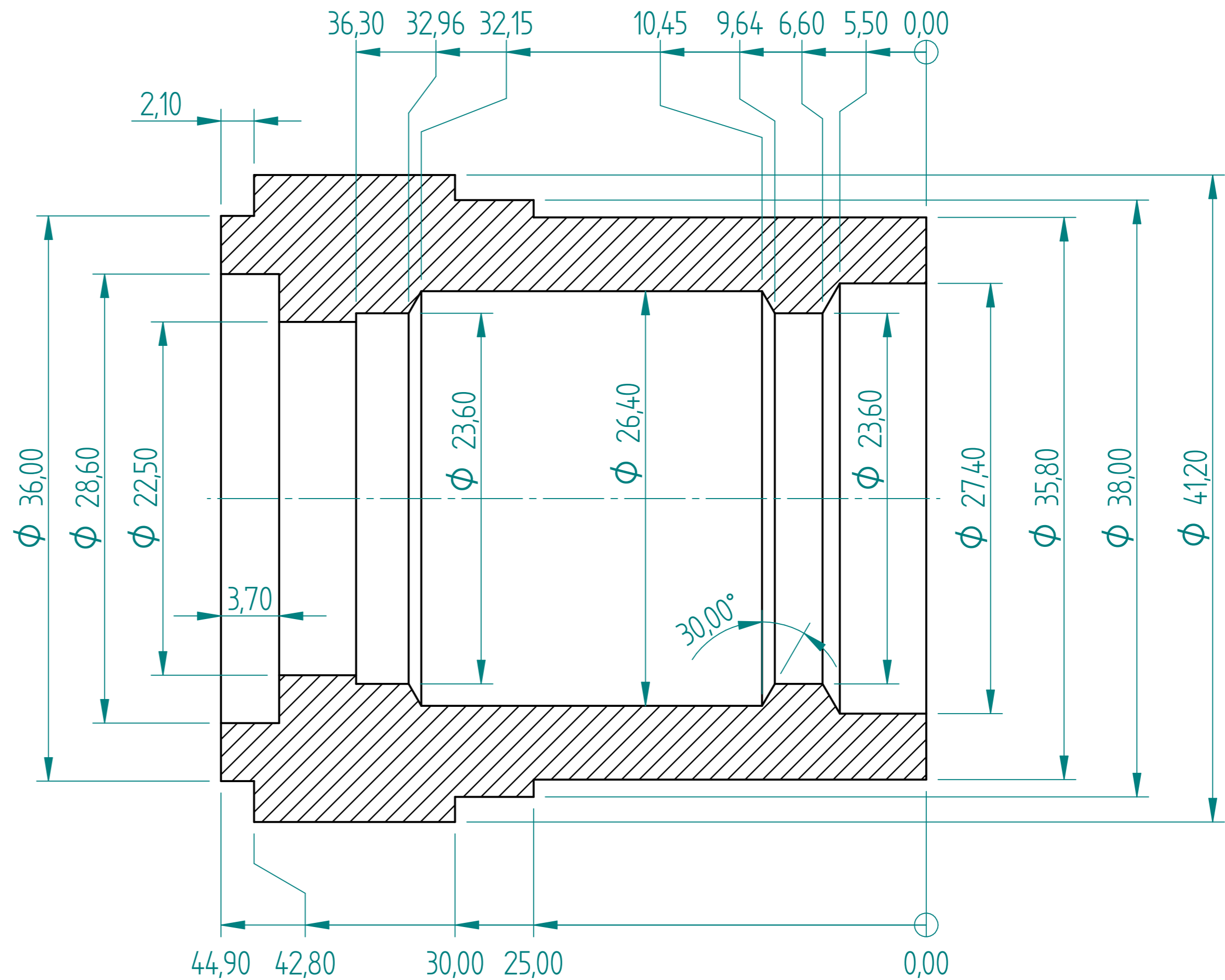
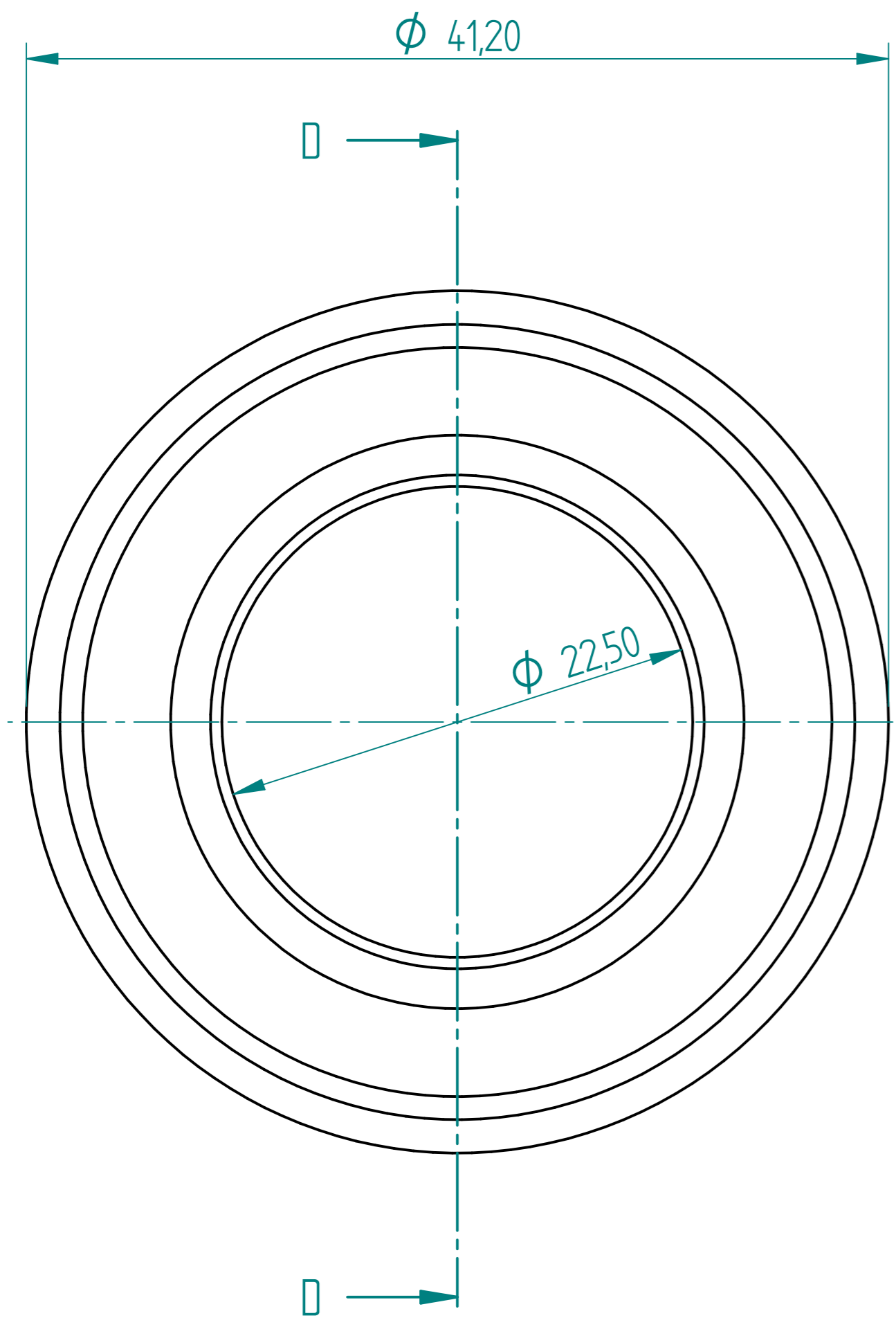
| REVISION HISTORY | | | |
|------------------|-------------|------|----------|
| REV | DESCRIPTION | DATE | APPROVED |
| | | | |



FLOAT IN
FLOAT POSITION

| | | | | |
|---|------|----------|-------------------------------|--------|
| DRAWN | NAME | DATE | PREMAC | |
| APPROVED | Dan | 09/04/23 | | |
| MATERIAL | | | TITLE | |
| TREATMENT | | | Float Lever In | |
| UNLESS OTHERWISE SPECIFIED DIMENSIONS ARE IN MILLIMETERS | | | SIZE | DWG NO |
| 1 ST ANGLE ANGLES ±0.1° | | | A4 | REV |
| 2 PL ±0.02 3 PL ±0.005 | | | FILE NAME: Float Lever In.dft | |
| SCALE: | | WEIGHT: | SHEET 4 OF 7 | |

| REVISION HISTORY | | | |
|------------------|-------------|------|----------|
| REV | DESCRIPTION | DATE | APPROVED |
| | | | |

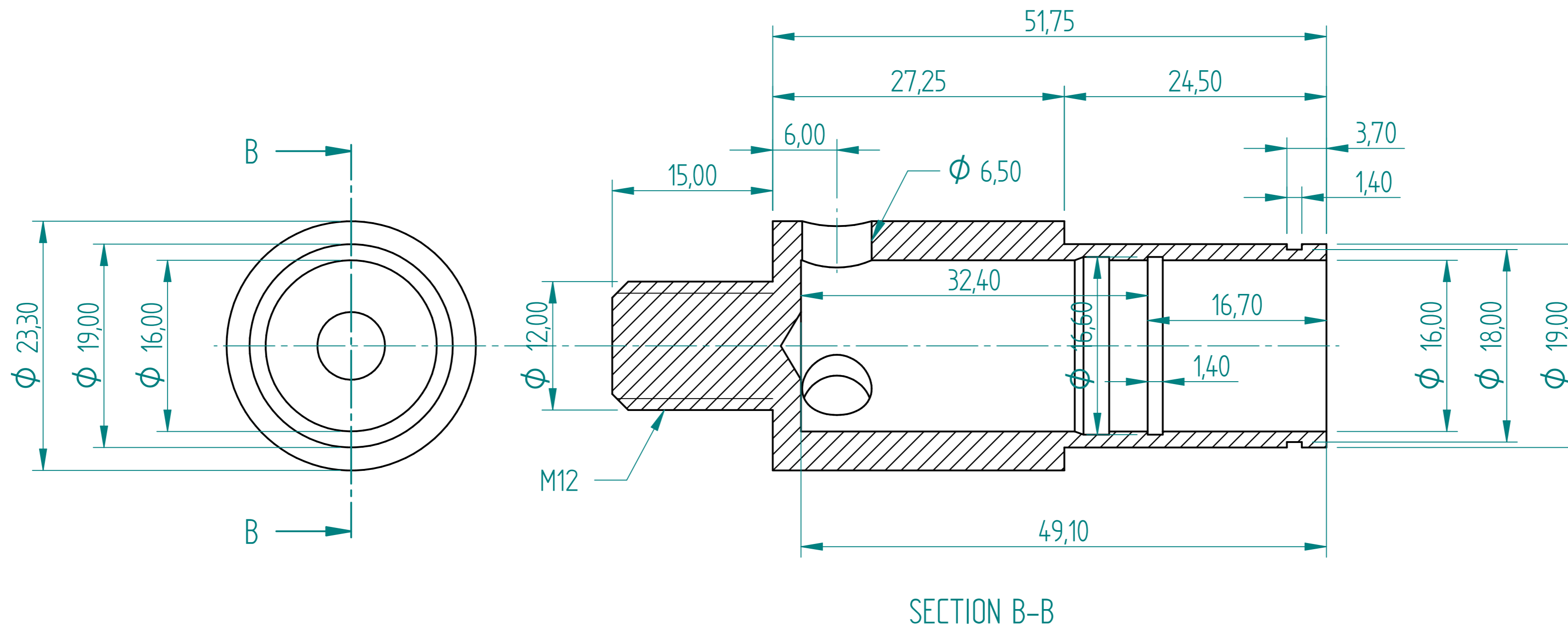


Float In Positioner Bush
EN8 HARDEN & TEMPER

SECTION D-D

| | | | | | |
|---|------|----------|-------------------------------|---------|--------------|
| | NAME | DATE | PREMAC | | |
| DRAWN | Dan | 09/04/23 | | | |
| APPROVED | | | TITLE Float Lever In | | |
| MATERIAL | | | | | |
| TREATMENT | | | SIZE A4 | DWG NO | REV |
| UNLESS OTHERWISE SPECIFIED DIMENSIONS ARE IN MILLIMETERS ANGLES $\pm 0,1^\circ$ | | | FILE NAME: Float Lever In.dft | | |
| 1st ANGLE 2 PL $\pm 0,02$ 3 PL $\pm 0,005$ | | | SCALE: | WEIGHT: | SHEET 5 OF 7 |

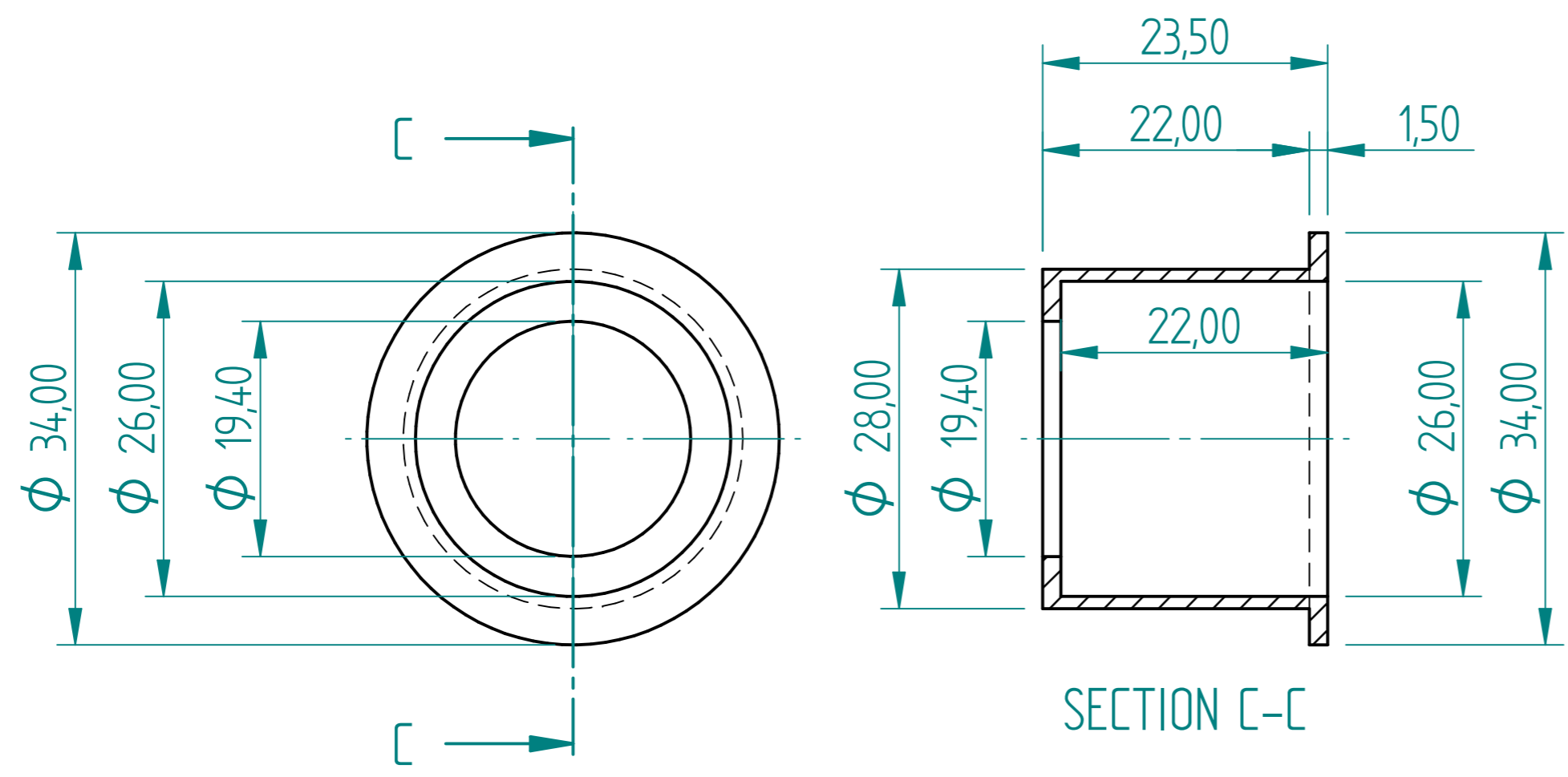
| REVISION HISTORY | | | |
|------------------|-------------|------|----------|
| REV | DESCRIPTION | DATE | APPROVED |
| | | | |



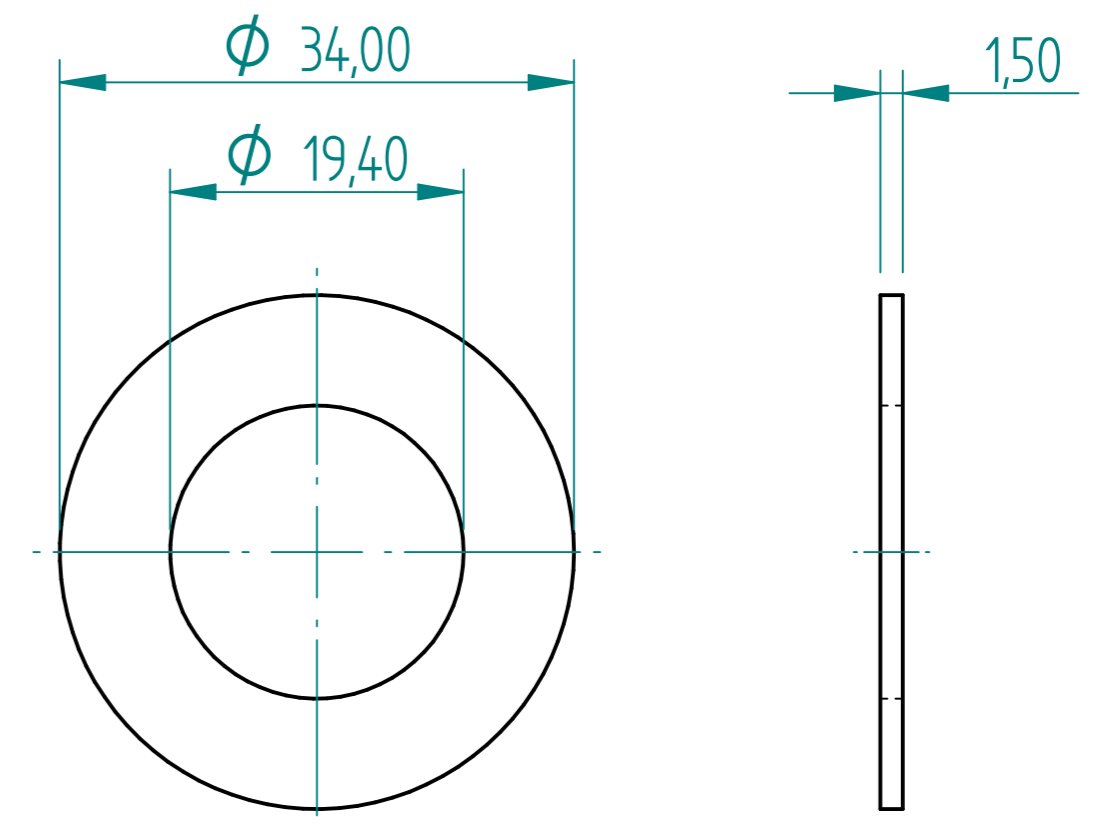
Float In Spool Positioner
EN8 HARDEN & TEMPER

| | | | | | |
|--|------|----------|-------------------------------|---------|--------------|
| | NAME | DATE | PREMAC | | |
| DRAWN | Dan | 09/04/23 | | | |
| APPROVED | | | TITLE Float Lever In | | |
| MATERIAL | | | | | |
| TREATMENT | | | SIZE A4 | DWG NO | REV |
| UNLESS OTHERWISE SPECIFIED DIMENSIONS ARE IN MILLIMETERS ANGLES ±0.1° 1st ANGLE | | | FILE NAME: Float Lever In.dft | | |
| 2 PL ±0.02 3 PL ±0.005 | | | SCALE: | WEIGHT: | SHEET 6 OF 7 |

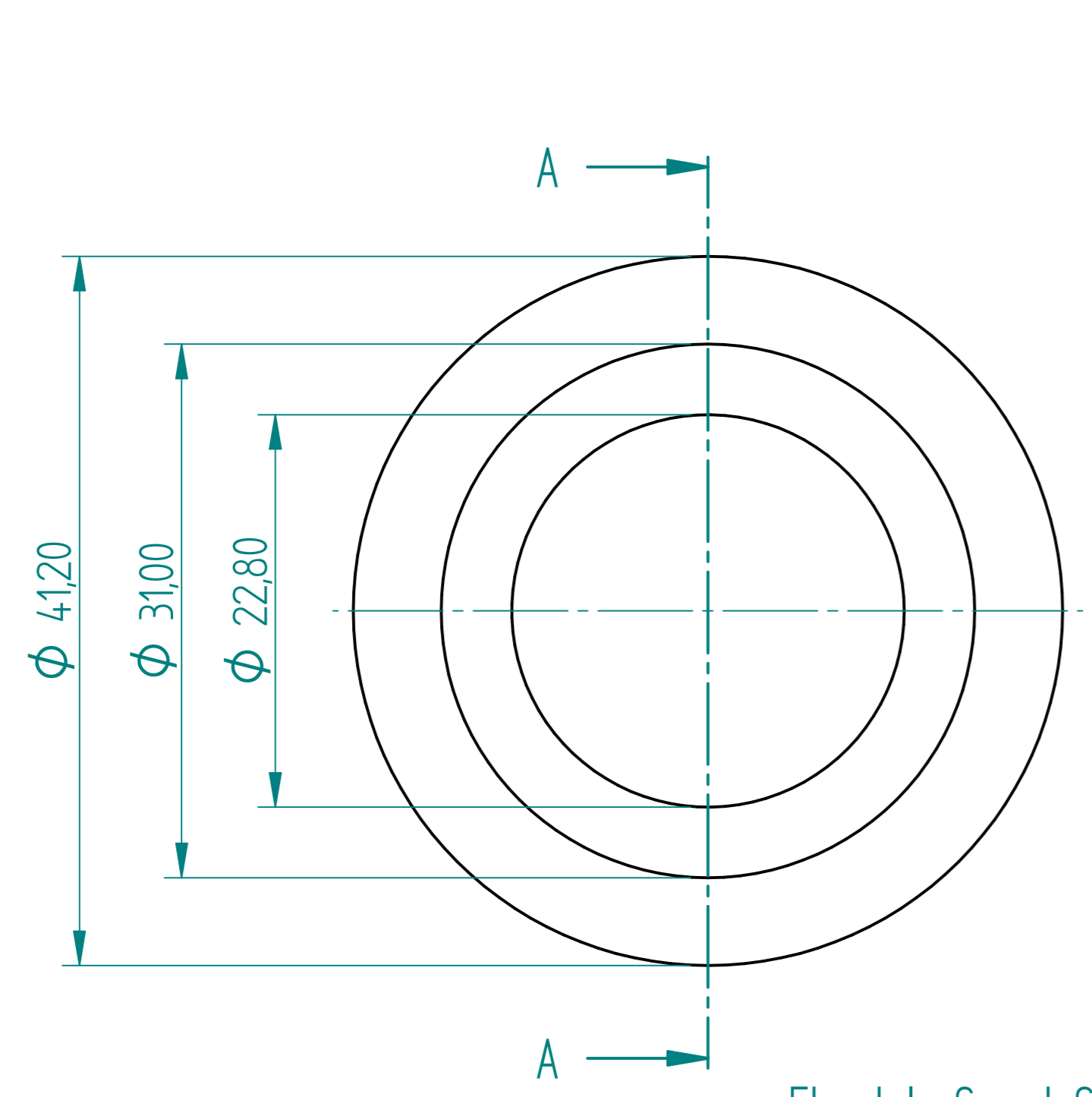
| REVISION HISTORY | | | |
|------------------|-------------|------|----------|
| REV | DESCRIPTION | DATE | APPROVED |
| | | | |



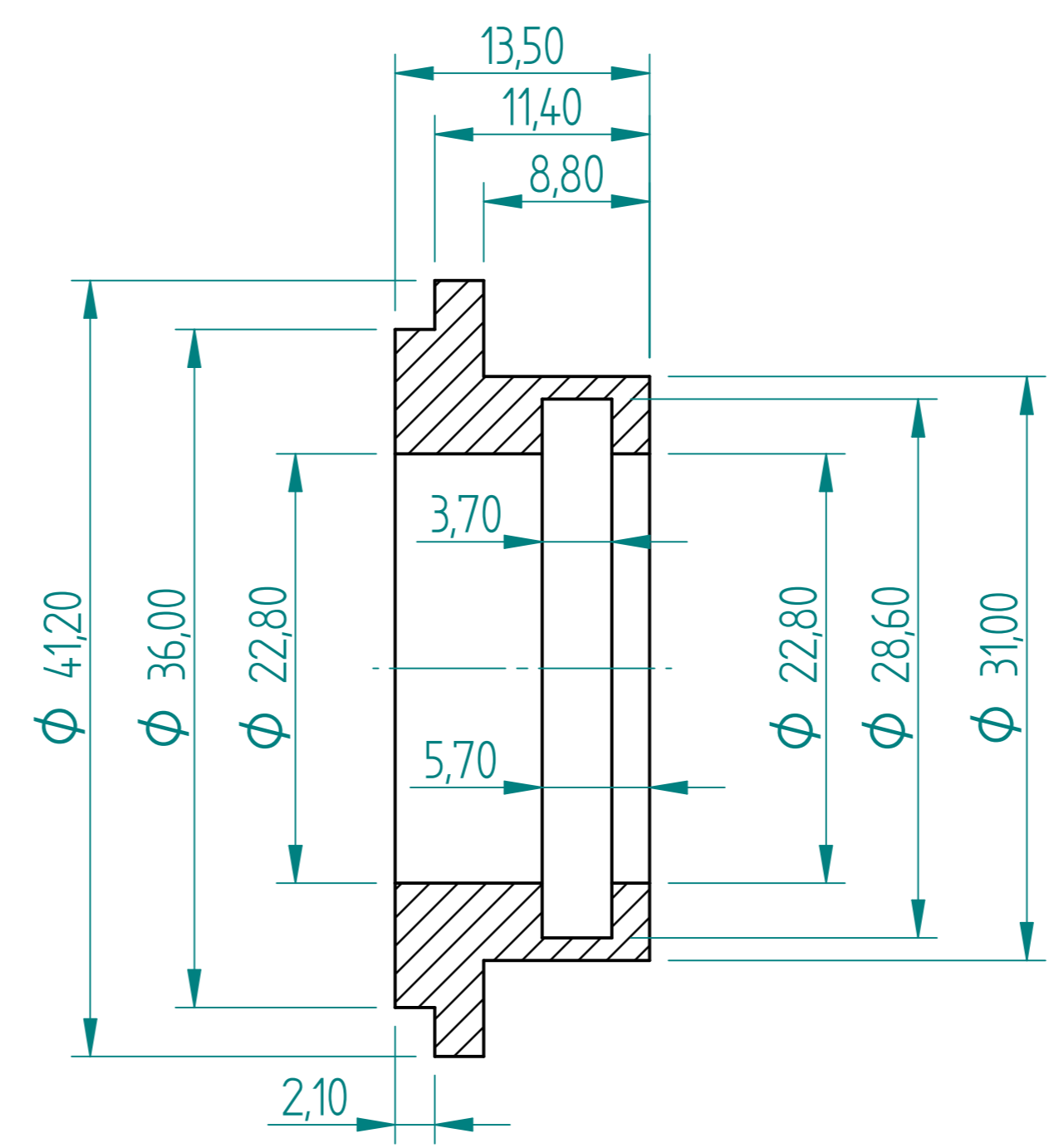
Float In Spring Cup



Float In Spring Cup



Float In Spool Sealing Washer



SECTION A-A

| | | | | |
|---|------|----------|-------------------------------|--------|
| DRAWN | NAME | DATE | PREMAC | |
| APPROVED | Dan | 09/04/23 | | |
| MATERIAL | | | TITLE | |
| TREATMENT | | | Float Lever In | |
| UNLESS OTHERWISE SPECIFIED DIMENSIONS ARE IN MILLIMETERS | | | SIZE | DWG NO |
| 1st ANGLE ANGLES ±0.1° | | | A4 | REV |
| 2 PL ±0.02 3 PL ±0.005 | | | FILE NAME: Float Lever In.dft | |
| SCALE: | | WEIGHT: | SHEET 7 OF 7 | |