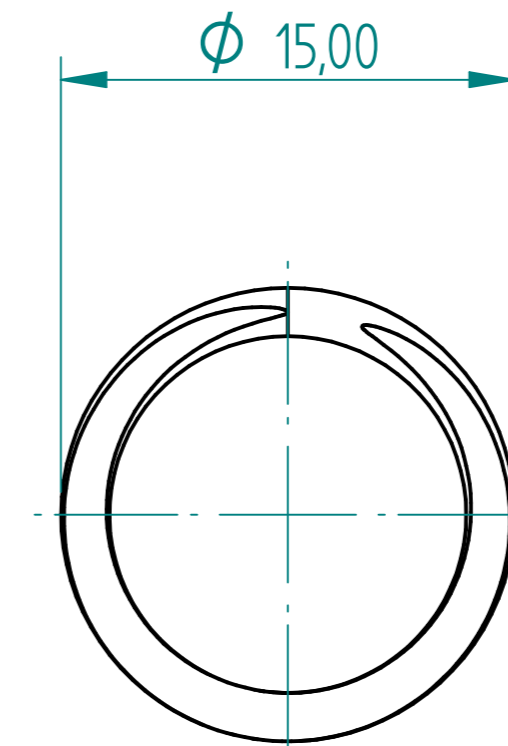
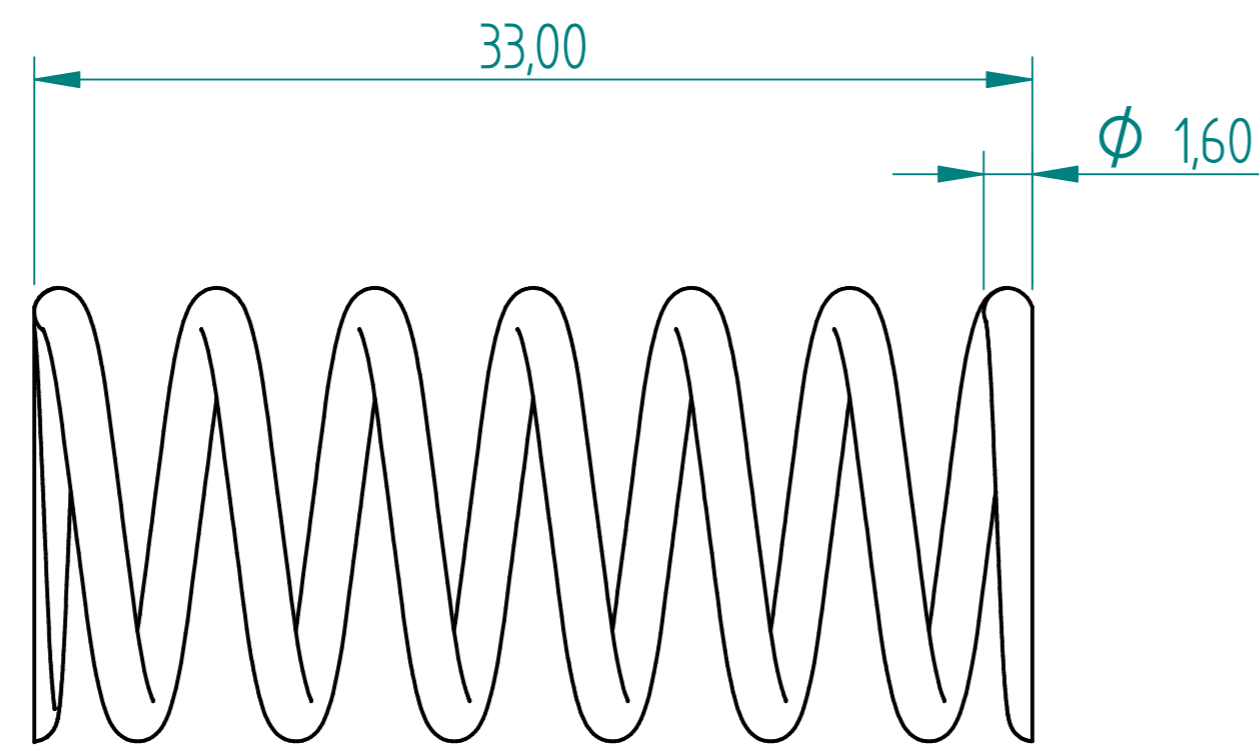


REVISION HISTORY			
REV	DESCRIPTION	DATE	APPROVED



V150 Float Inner Ball Spring

Wire dia 1.6
 Outer Dia 15.0
 Free Length 33.0
 Free Coils 6 Turns
 Ends Ground

	NAME	DATE	PREMAC	
DRAWN	Dan	10/31/17	PRECISION MACHINE MANUFACTURERS (PTY)LTD.	
APPROVED			TITLE	
MATERIAL				
TREATMENT				
UNLESS OTHERWISE SPECIFIED DIMENSIONS ARE IN MILLIMETERS			SIZE A2	DWG NO
ANGLES $\pm 0.1^\circ$				REV
2 PL ± 0.02 3 PL ± 0.005			FILE NAME: Float Bonnet Asm.dft	
			SCALE:	WEIGHT: SHEET 7 OF 8