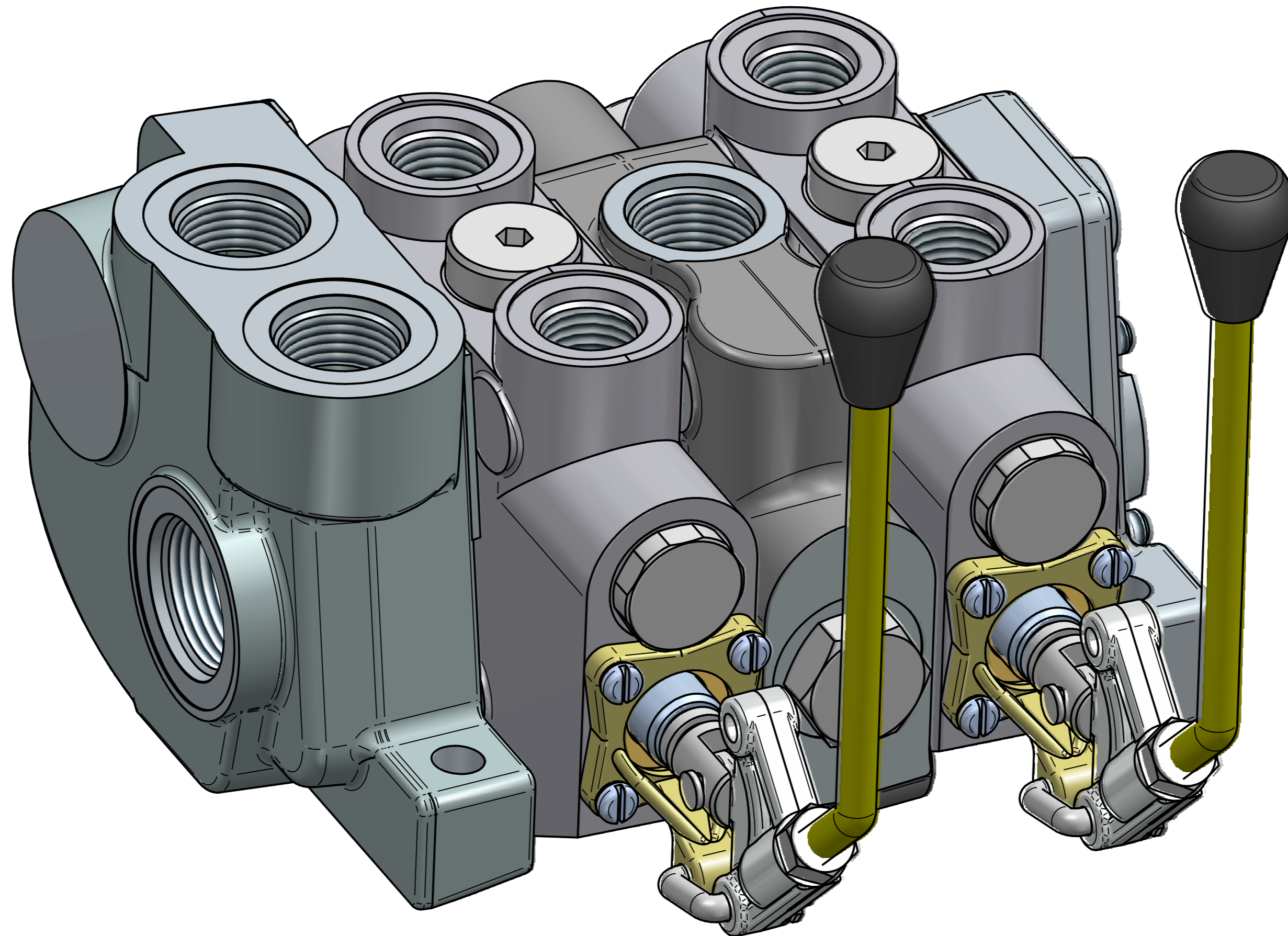

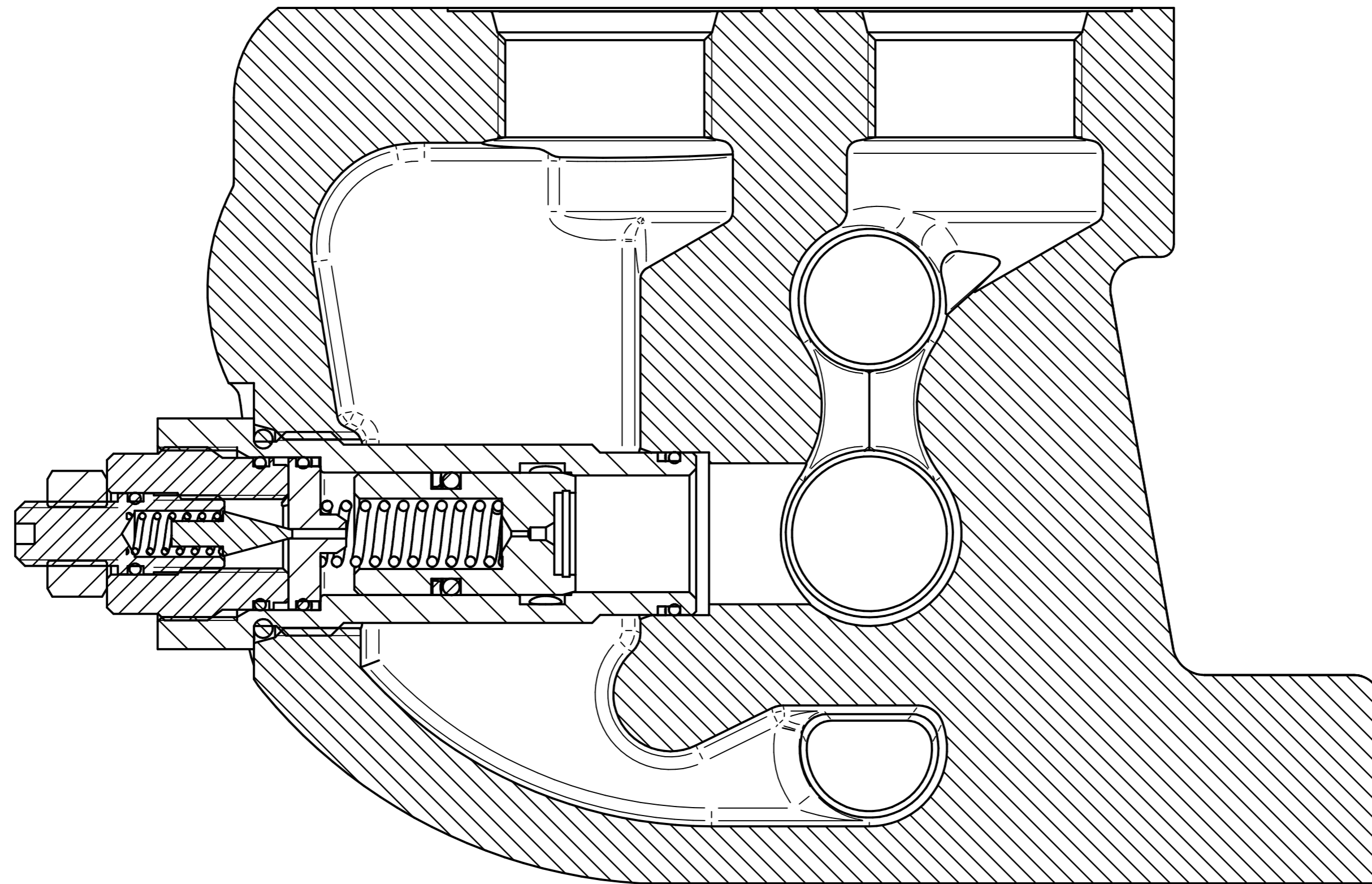


REVISION HISTORY			
REV	DESCRIPTION	DATE	APPROVED



	NAME	DATE	PREMAC		
DRAWN	Dan	09/04/23			
APPROVED					
MATERIAL					
TREATMENT			TITLE FEEDER BREAKER VALVE		
UNLESS OTHERWISE SPECIFIED DIMENSIONS ARE IN MILLIMETERS			SIZE A4	DWG NO	REV
1 ST ANGLE  2 PL ±0.02 3 PL ±0.005			FILE NAME: Feeder Breaker Valve.dft		
			SCALE:	WEIGHT:	SHEET 1 OF 6

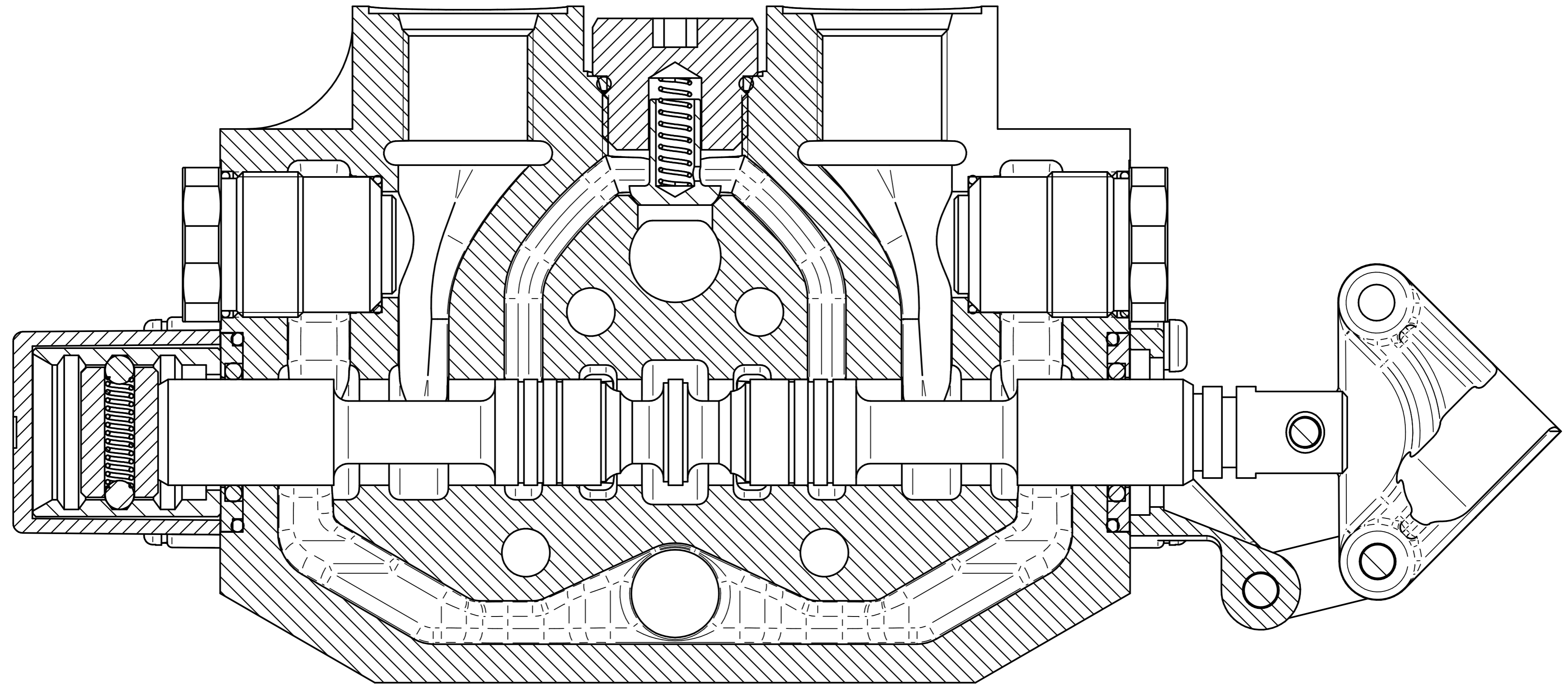
REVISION HISTORY			
REV	DESCRIPTION	DATE	APPROVED



V150 INLET WITH
PILOT DIFFERENTIAL PRESSURE MAIN RELIEF

	NAME	DATE	PREMAC	
DRAWN	Dan	09/04/23		
APPROVED				
MATERIAL				
TREATMENT			TITLE	
UNLESS OTHERWISE SPECIFIED DIMENSIONS ARE IN MILLIMETERS			SIZE	DWG NO
ANGLES ±0.1°			A4	
1 ST ANGLE			FILE NAME: Feeder Breaker Valve.dft	REV
2 PL ±0.02 3 PL ±0.005			SCALE:	WEIGHT: SHEET 2 OF 6

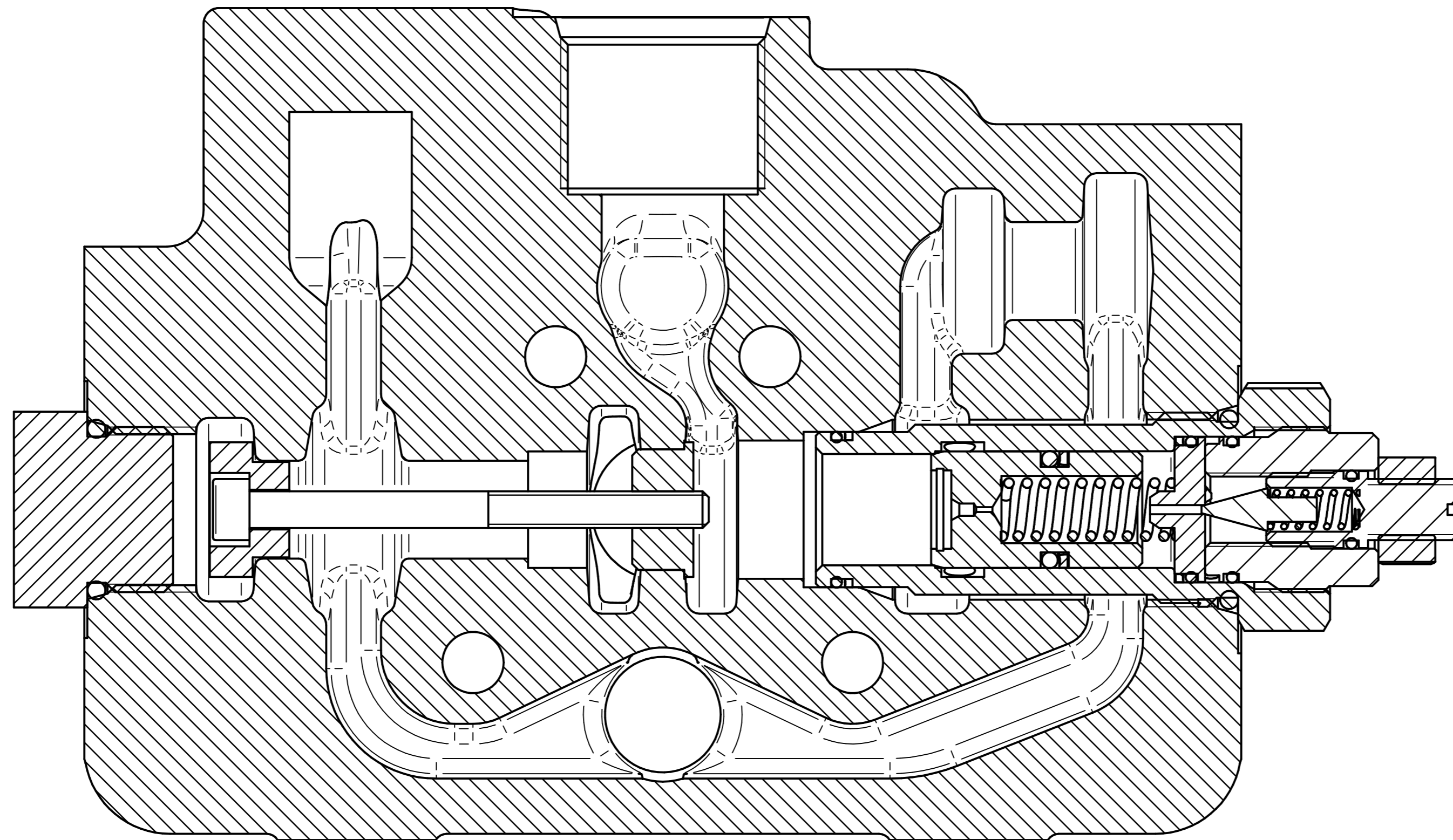
REVISION HISTORY			
REV	DESCRIPTION	DATE	APPROVED



V150 WORK SECTION WITH
MOTOR SPOOL & 3 POSITION DETENT

	NAME	DATE	PREMAC		
DRAWN	Dan	09/04/23			
APPROVED			TITLE FEEDER BREAKER VALVE		
MATERIAL					
TREATMENT			SIZE A4	DWG NO	REV
UNLESS OTHERWISE SPECIFIED DIMENSIONS ARE IN MILLIMETERS			FILE NAME: Feeder Breaker Valve.dft		
1 ST ANGLE 2 PL ±0.02 3 PL ±0.005			SCALE:	WEIGHT:	SHEET 3 OF 6

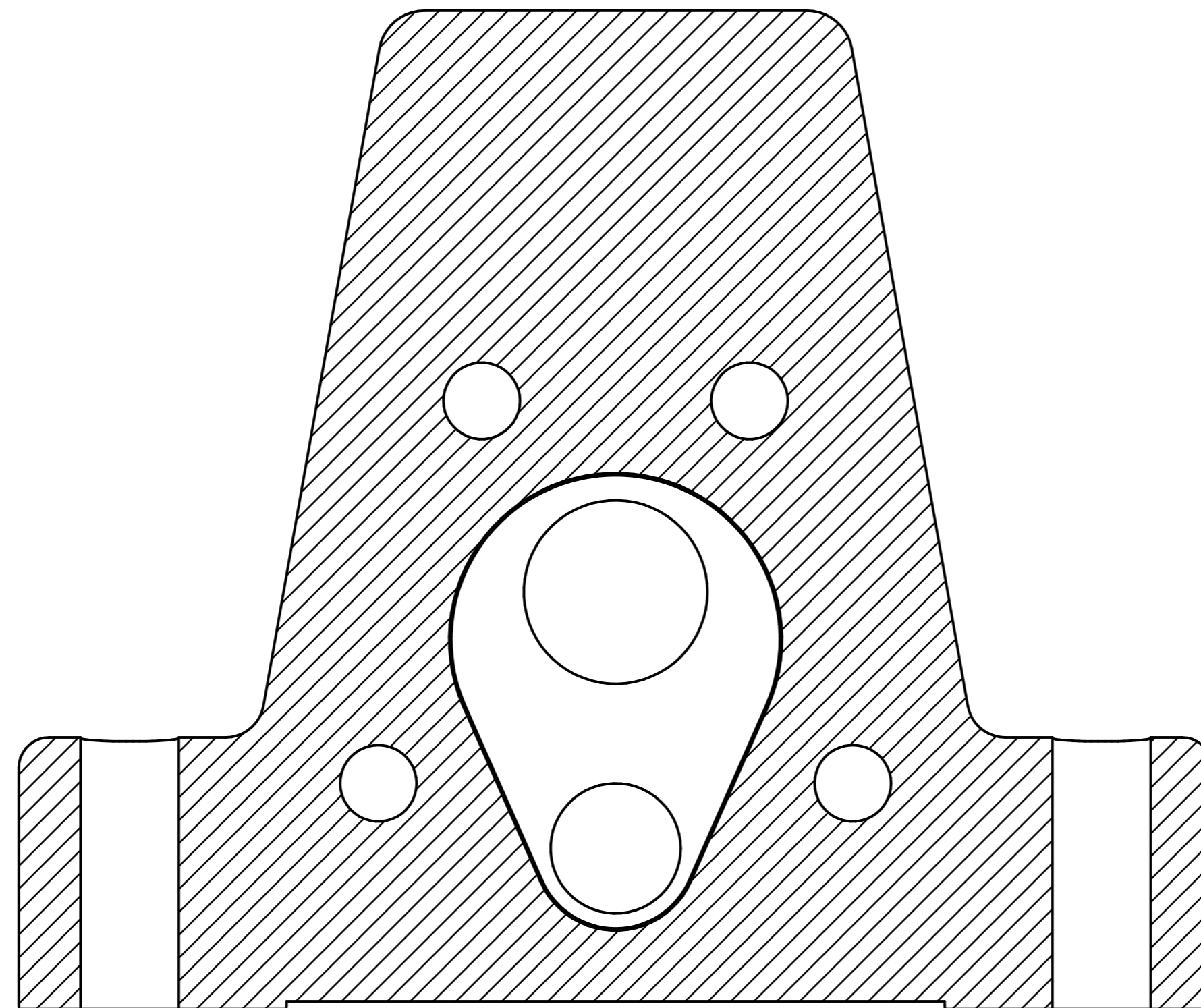
REVISION HISTORY			
REV	DESCRIPTION	DATE	APPROVED



V150 SPLIT FLOW MID INLET WITH
DIFFERENTIAL PRESSURE MAIN RELIEF

	NAME	DATE	PREMAC		
DRAWN	Dan	09/04/23			
APPROVED			TITLE FEEDER BREAKER VALVE		
MATERIAL					
TREATMENT			SIZE A4	DWG NO	REV
UNLESS OTHERWISE SPECIFIED DIMENSIONS ARE IN MILLIMETERS			FILE NAME: Feeder Breaker Valve.dft		
1 ST ANGLE 2 PL ±0.02 3 PL ±0.005			SCALE:	WEIGHT:	SHEET 4 OF 6

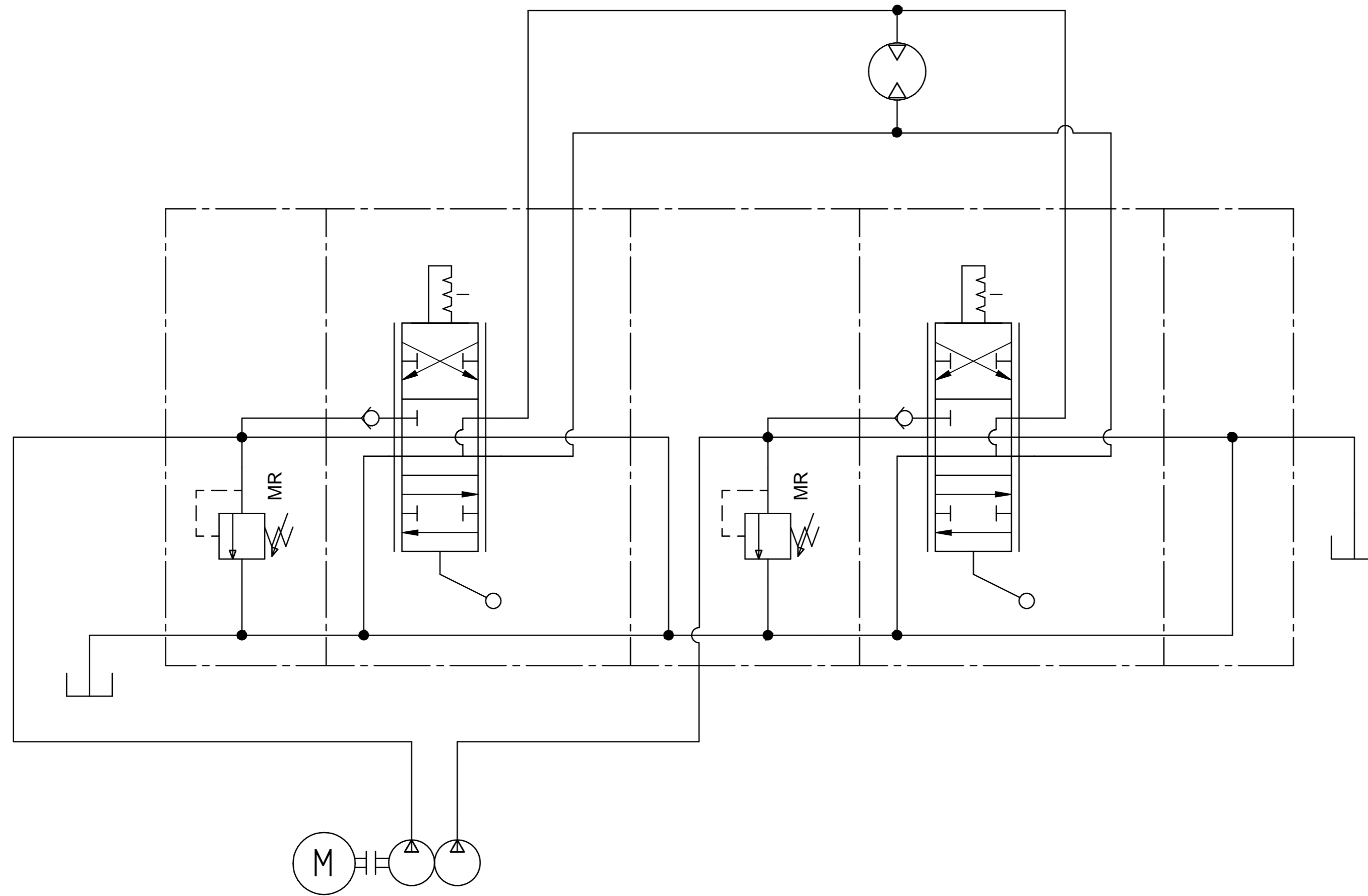
REVISION HISTORY			
REV	DESCRIPTION	DATE	APPROVED



V150 OPEN CENTRE OUTLET

	NAME	DATE	PREMAC	
DRAWN	Dan	09/04/23		
APPROVED				
MATERIAL				
TREATMENT			TITLE FEEDER BREAKER VALVE	
UNLESS OTHERWISE SPECIFIED DIMENSIONS ARE IN MILLIMETERS			SIZE A4	DWG NO
1st ANGLE ANGLES ±0.1°			FILE NAME: Feeder Breaker Valve.dft	
2 PL ±0.02 3 PL ±0.005			SCALE:	WEIGHT:
			SHEET 5 OF 6	

REVISION HISTORY			
REV	DESCRIPTION	DATE	APPROVED



FEEDER BREAKER VALVE CIRCUIT DIAGRAM

	NAME	DATE	PREMAC	
DRAWN	Dan	09/04/23		
APPROVED				
MATERIAL				
TREATMENT			TITLE FEEDER BREAKER VALVE	
UNLESS OTHERWISE SPECIFIED DIMENSIONS ARE IN MILLIMETERS			SIZE A4	DWG NO
1 ST ANGLE ANGLES ±0.1°			FILE NAME: Feeder Breaker Valve.dft	
2 PL ±0.02 3 PL ±0.005			SCALE:	WEIGHT:
			SHEET 6 OF 6	