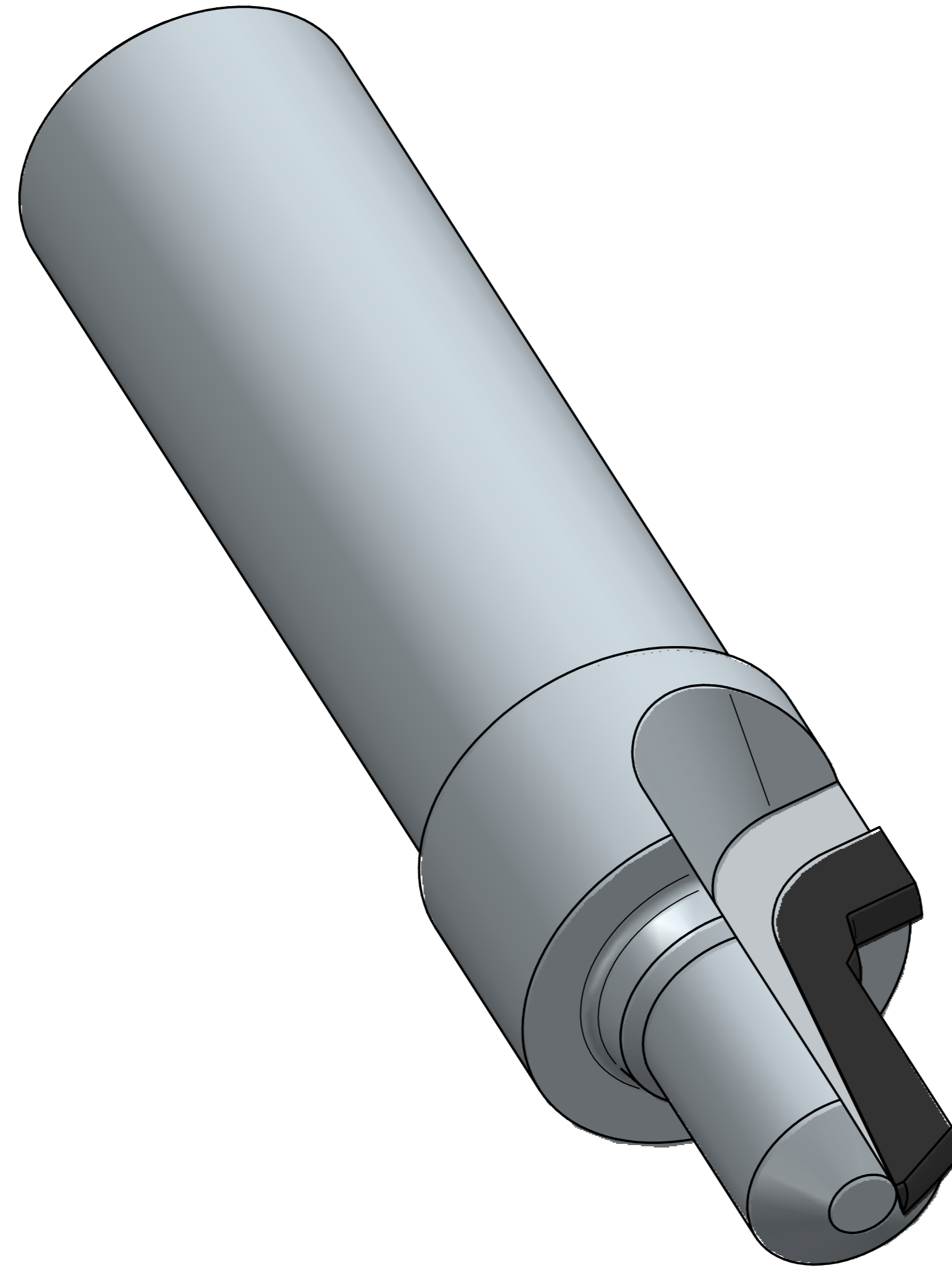



REVISION HISTORY			
REV	DESCRIPTION	DATE	APPROVED



SAE6 Bar

	NAME	DATE	PREMAC		
DRAWN	Dan	10/18/19			
APPROVED			TITLE		
MATERIAL					
TREATMENT			SIZE	DWG NO	REV
UNLESS OTHERWISE SPECIFIED DIMENSIONS ARE IN MILLIMETERS			A4		
1 ST ANGLE  ANGLES ±0.1°			FILE NAME: SAE6 Bar.dft		
2 PL ±0.02 3 PL ±0.005			SCALE:	WEIGHT:	SHEET 2 OF 3