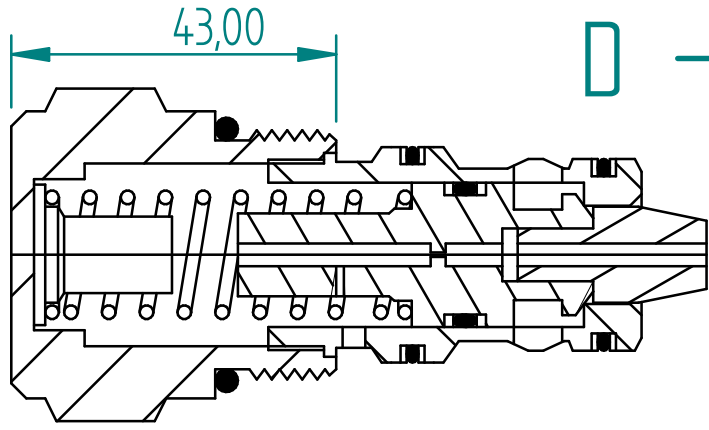
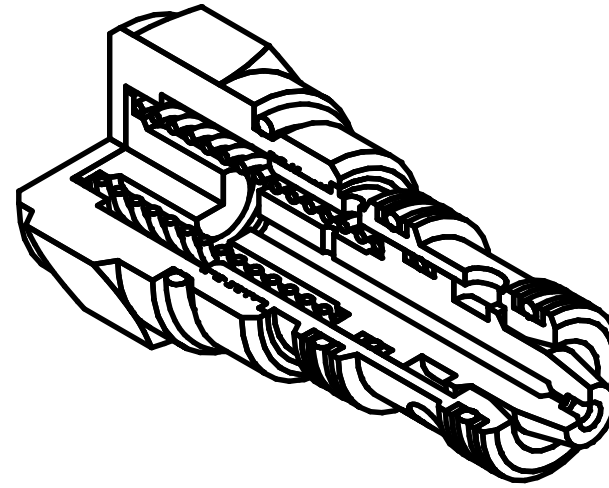
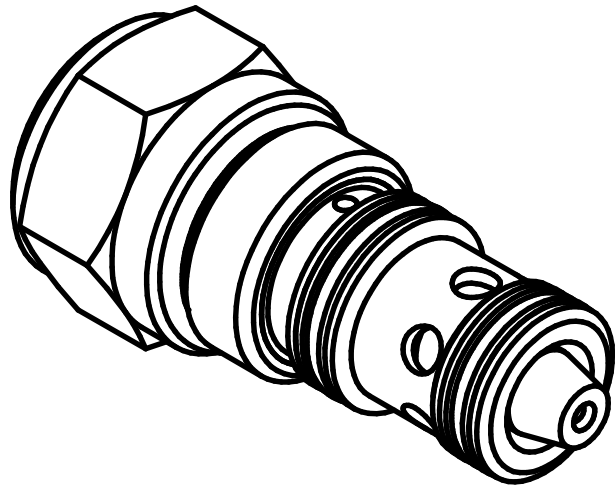
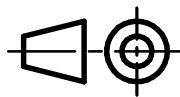


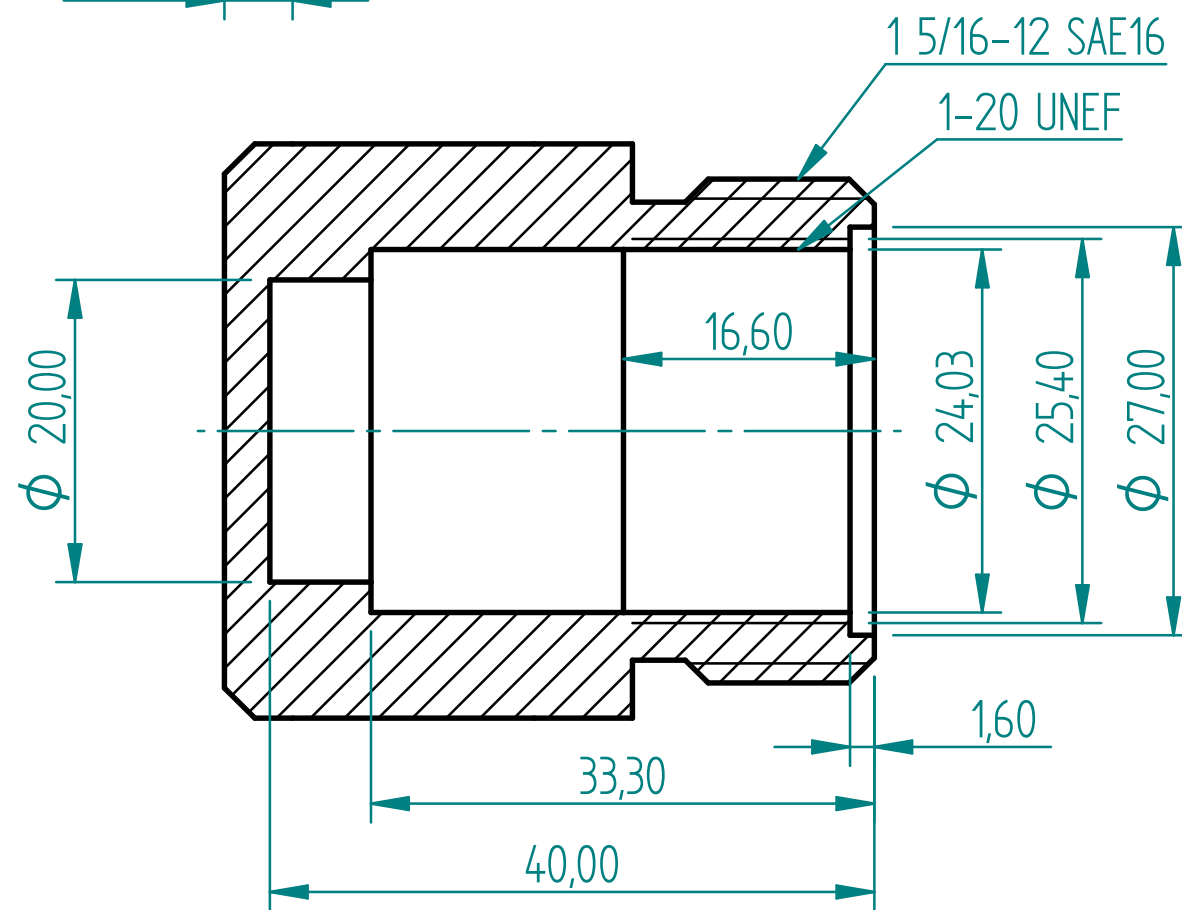
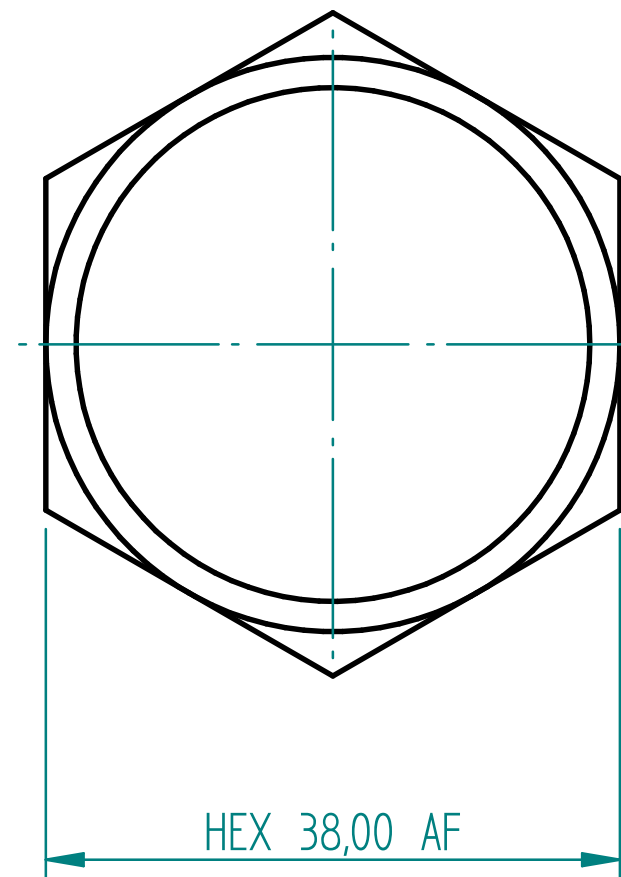
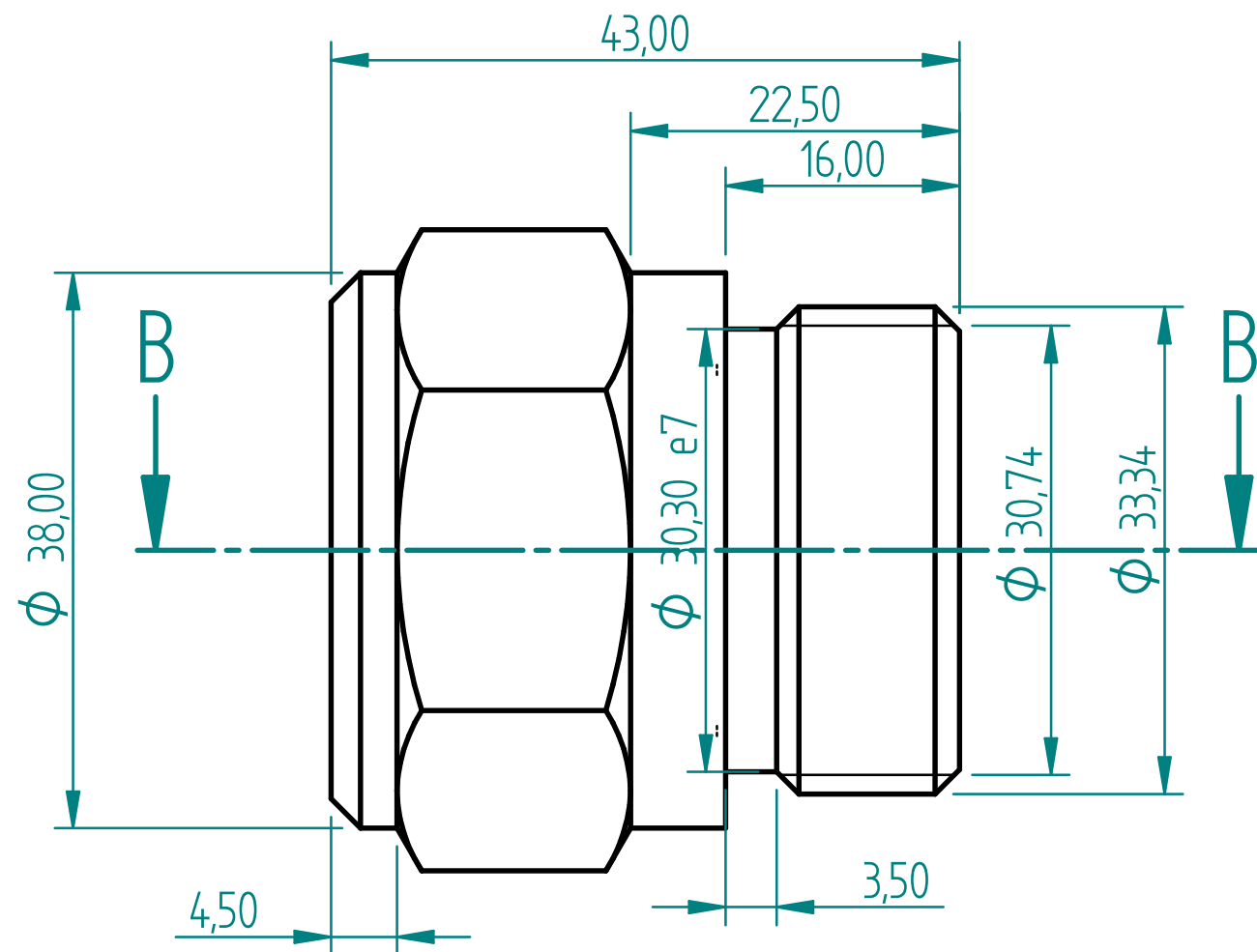
SECTION D-D



REV	MATERIAL	TREATMENT	SHEET	OF	DATE	DRAWN	APPROVED
1st ANGLE	PREMAC PRECISION MACHINE MANUFACTURERS (PTY)LTD	DESCRIPTION				SCALE	
		PART No					

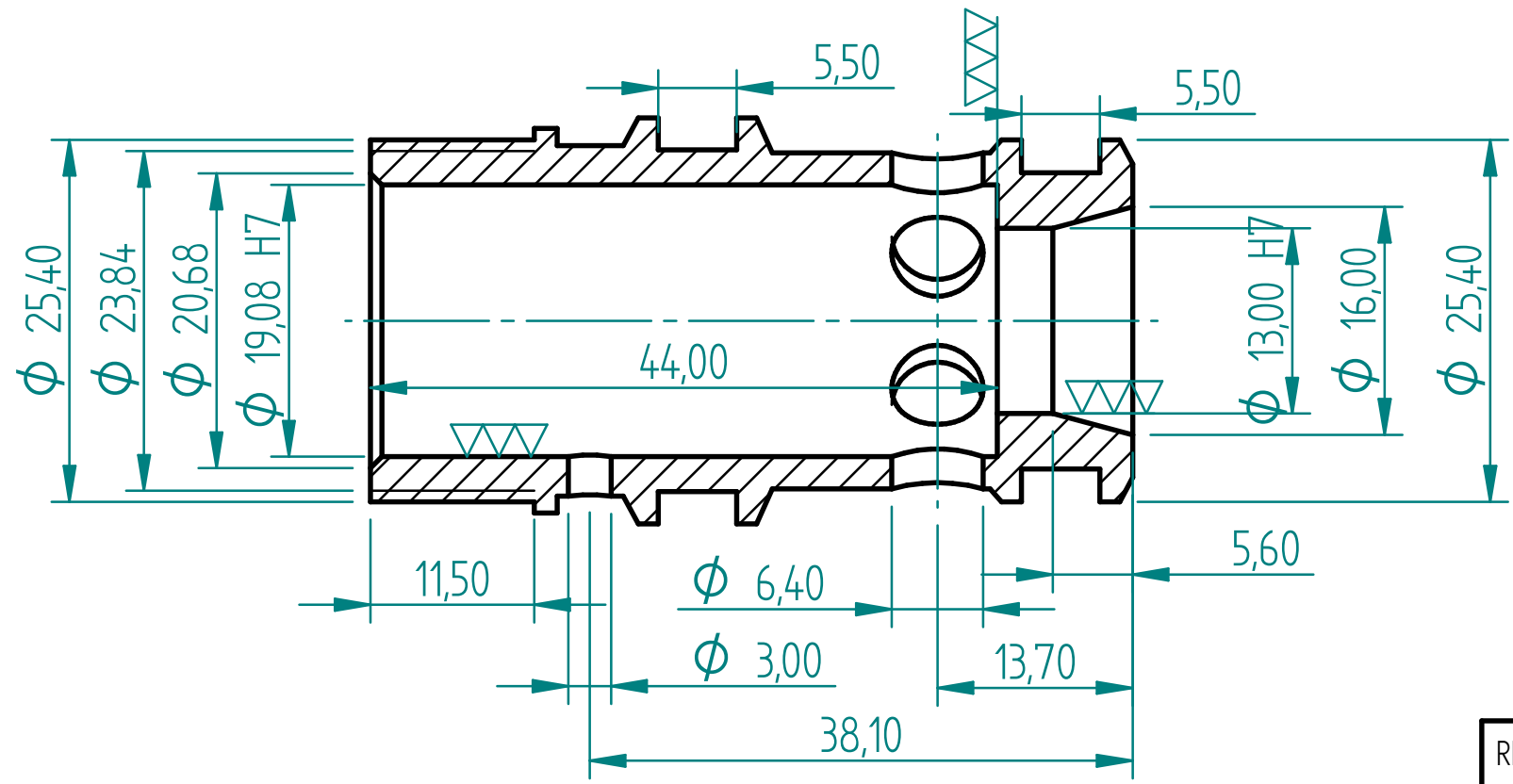
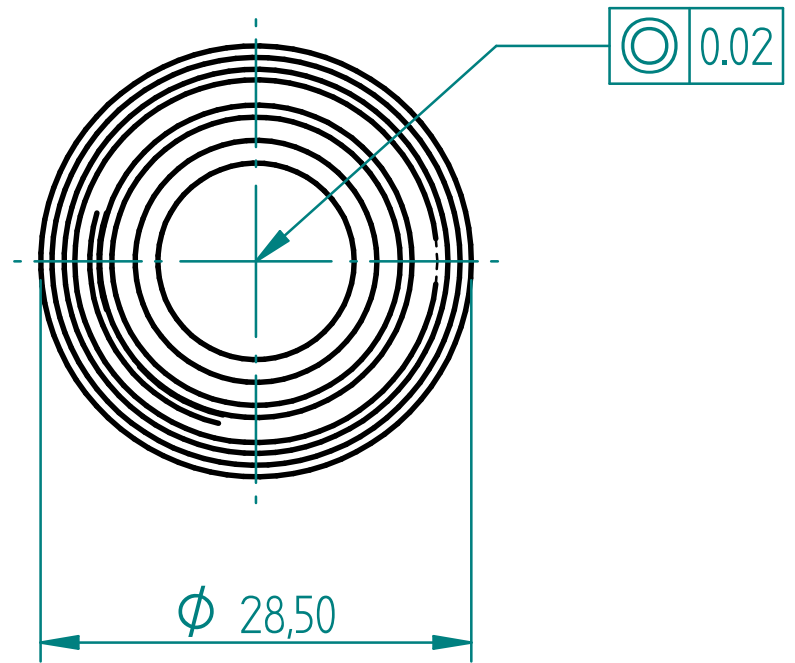
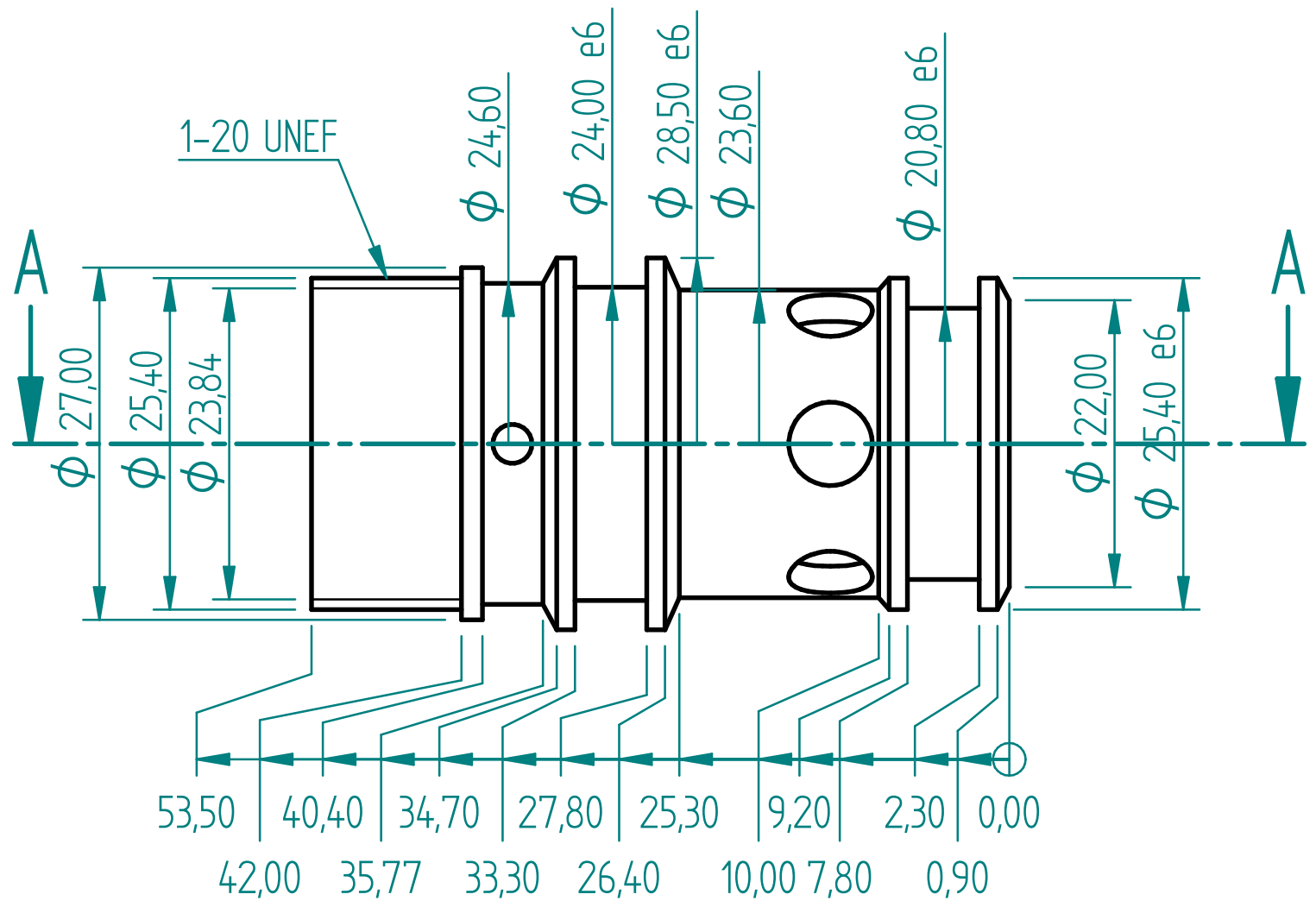


REV	MATERIAL	TREATMENT	SHEET	OF	DATE	DRAWN	APPROVED
1st ANGLE 			DESCRIPTION PREMAC PRECISION MACHINE MANUFACTURERS (PTY)LTD		SOFT START CARTRIDGE		SCALE
			PART No				



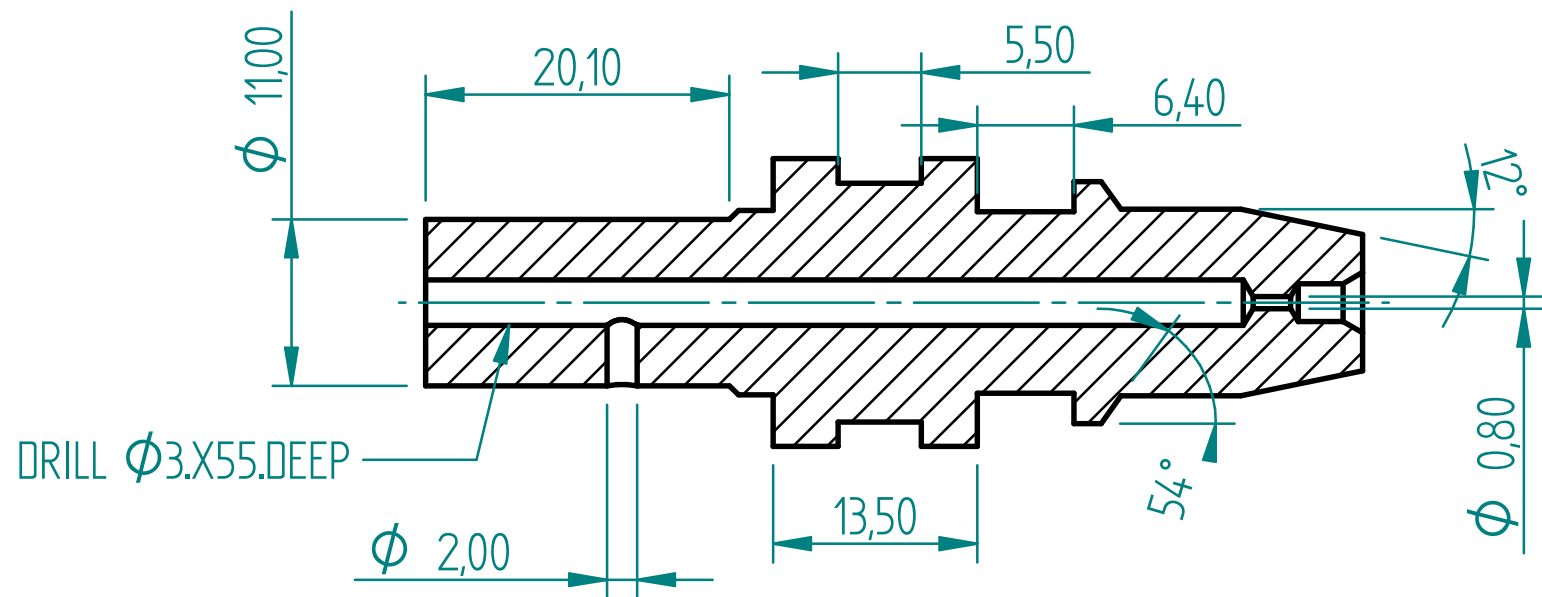
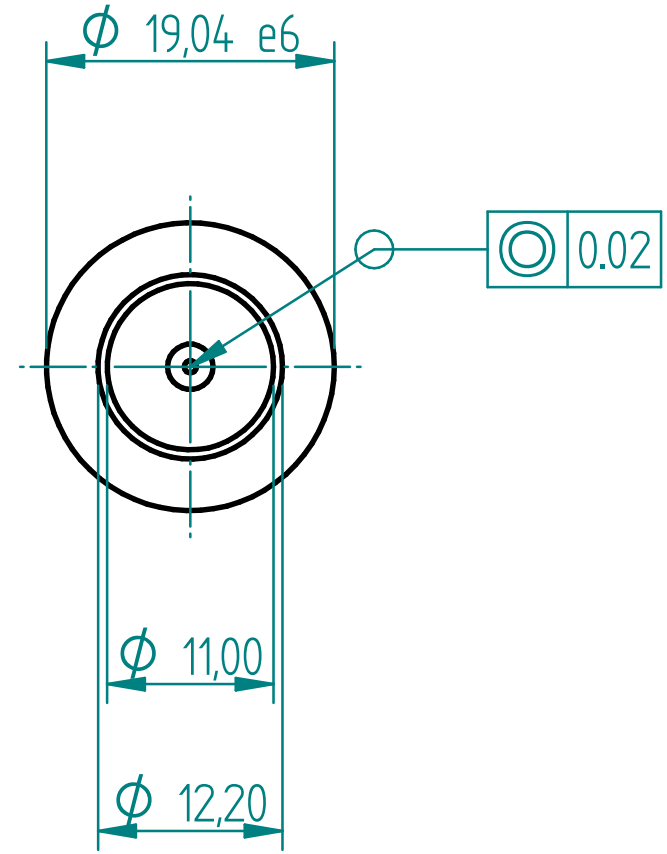
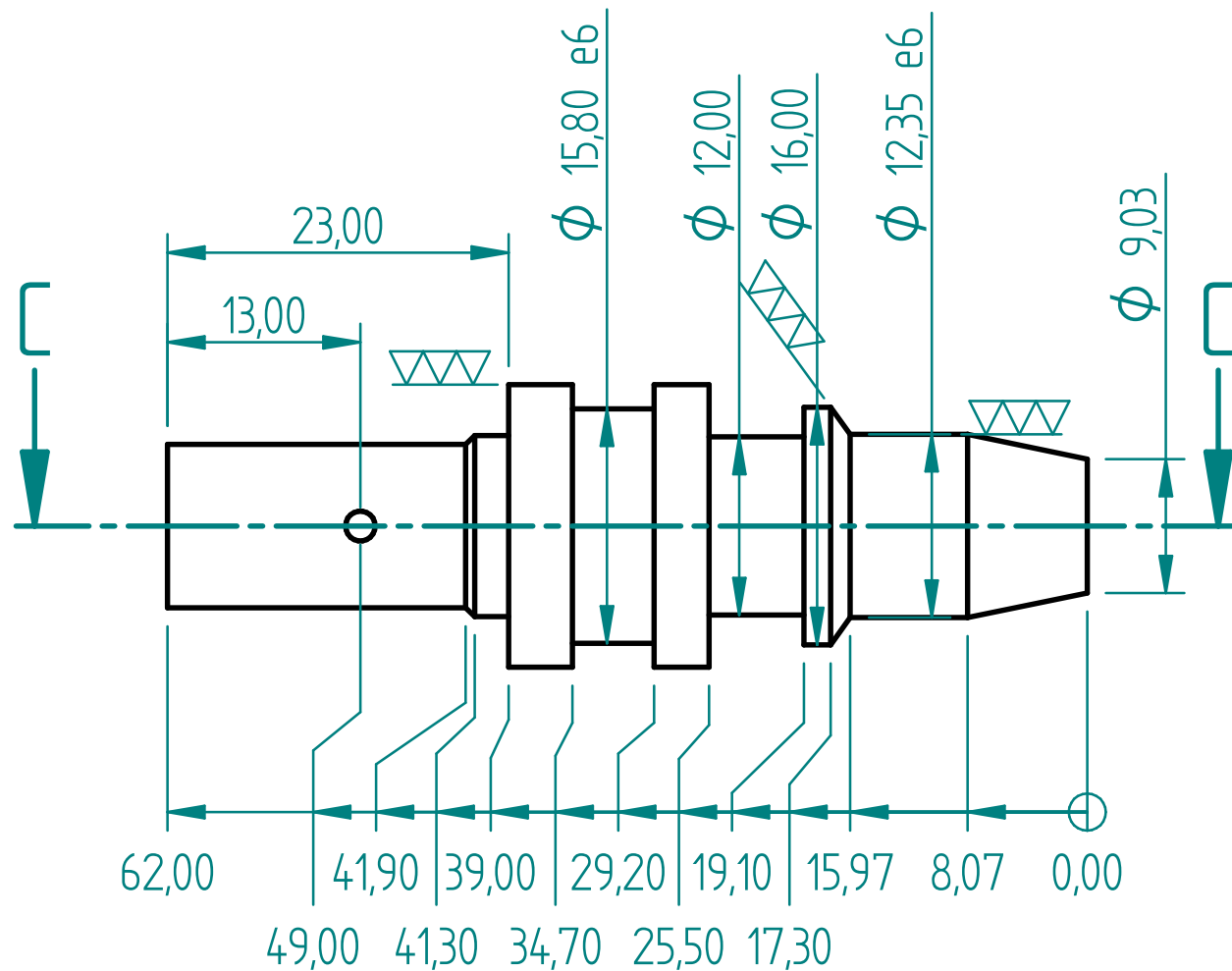
SECTION B-B

REV	MATERIAL	TREATMENT	SHEET	OF	DATE	DRAWN	APPROVED
	EN 8	H+T 38 Hrc					
1st ANGLE		PREMAC		DESCRIPTION			
		PRECISION MACHINE		SOFT START CARTRIDGE CAP			
		MANUFACTURERS (PTY)LTD		PART No		SCALE	



SECTION A-A

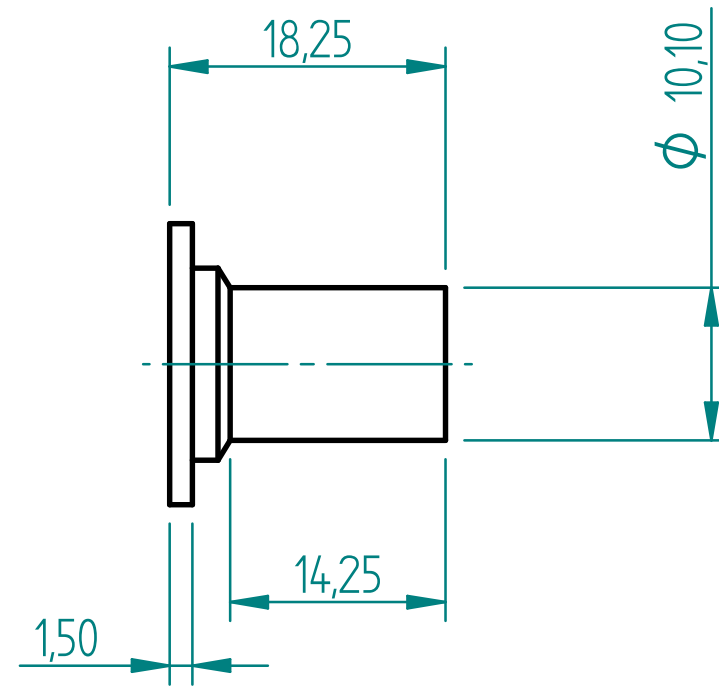
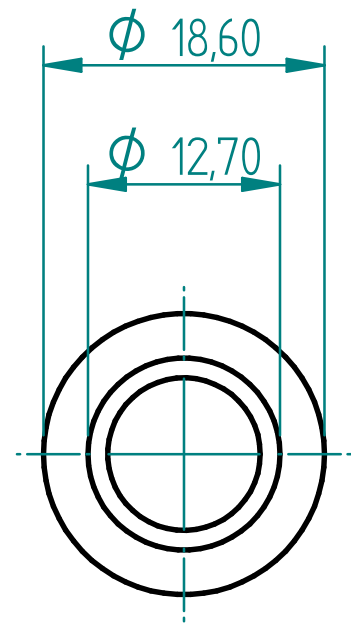
REV	MATERIAL EN 8	TREATMENT H+T 38 Hrc	SHEET	OF	DATE	DRAWN	APPROVED
1st ANGLE	PREMAC PRECISION MACHINE MANUFACTURERS (PTY)LTD		DESCRIPTION SOFT START CARTRIDGE HOUSING		PART No	SCALE	



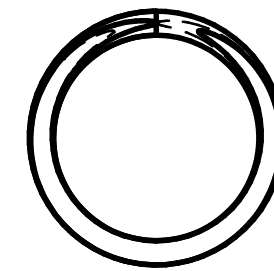
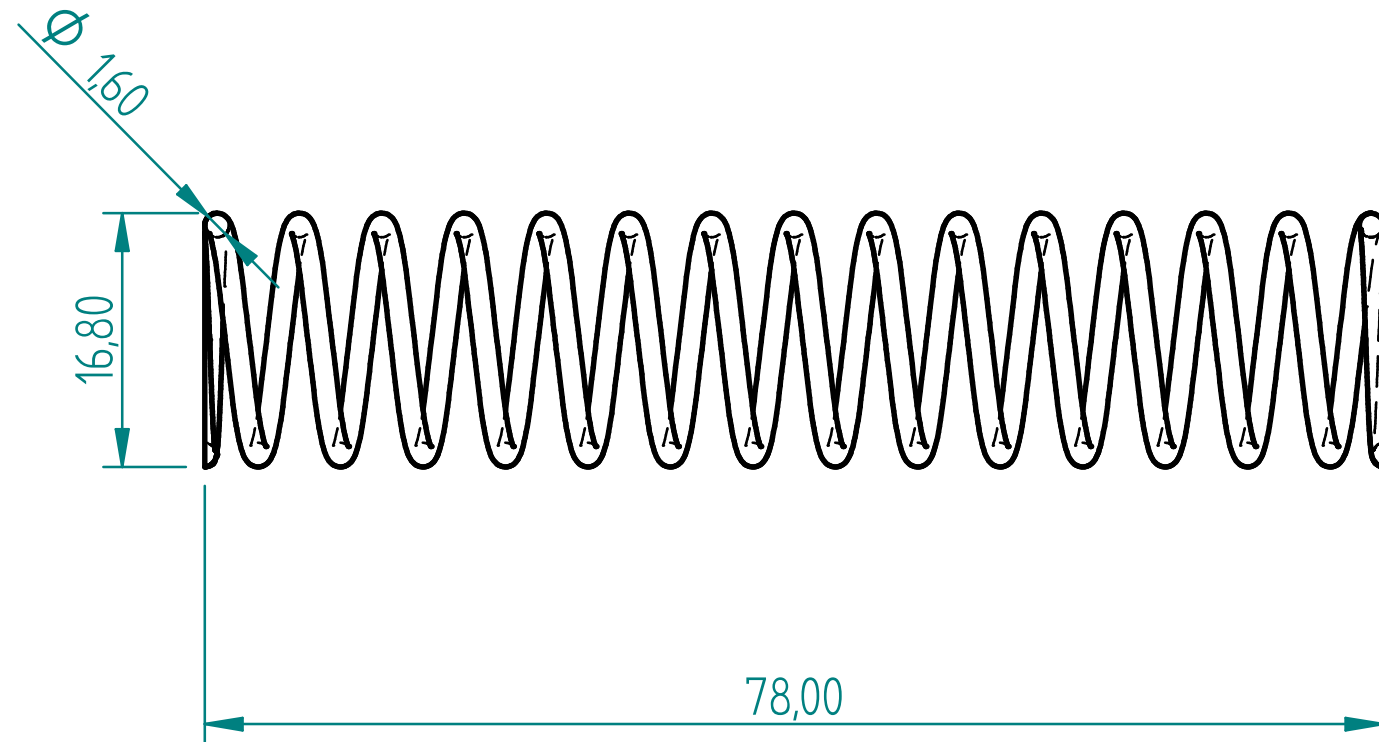
ADD 0.5mm ON GROUND SURFACES

SECTION C-C

REV	MATERIAL EN 8	TREATMENT H+T 38 Hrc	SHEET	OF	DATE	DRAWN	APPROVED
1st ANGLE	PREMAC PRECISION MACHINE MANUFACTURERS (PTY)LTD		DESCRIPTION SOFT START CARTRIDGE POTTET		PART No	SCALE	

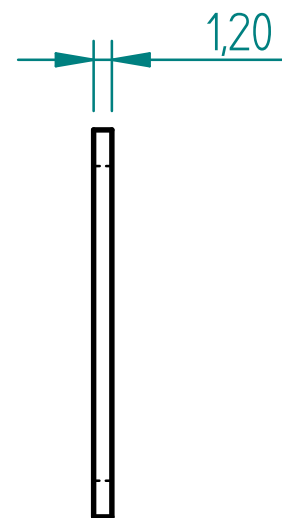
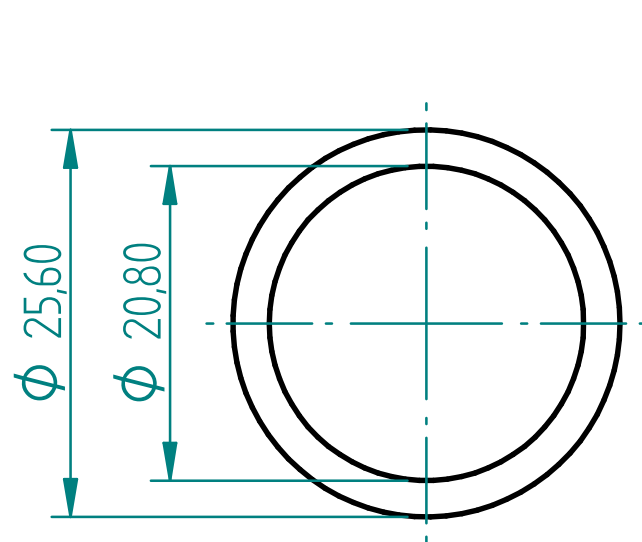
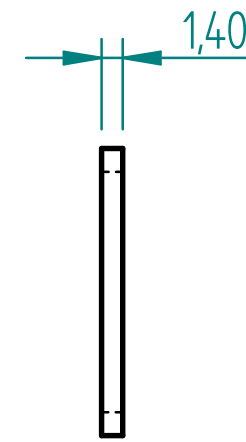
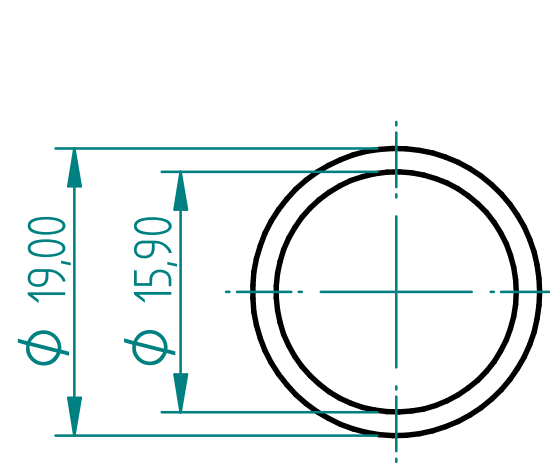
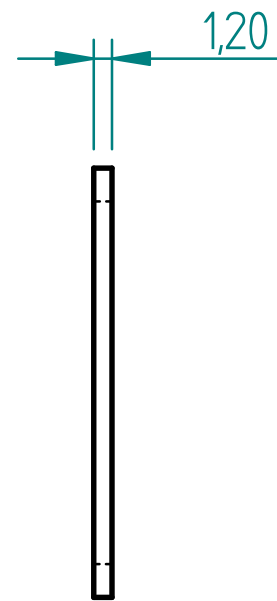
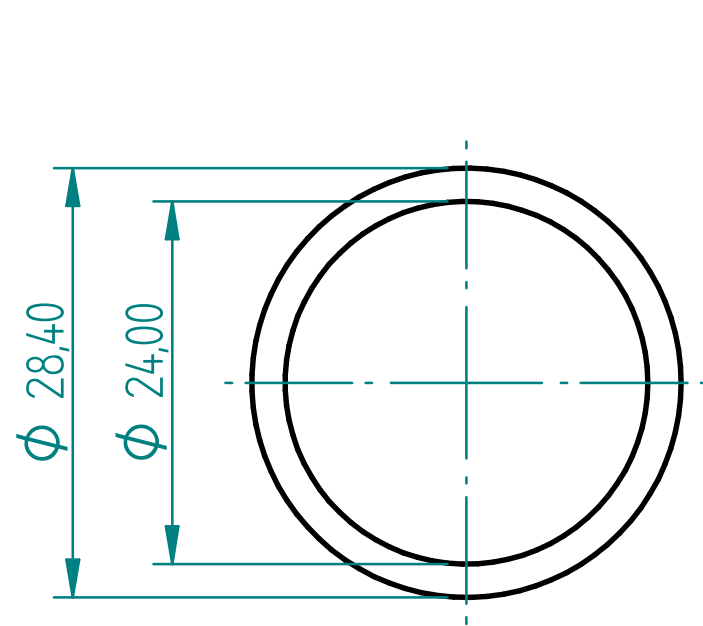


REV	MATERIAL EN 3A	TREATMENT NONE	SHEET OF	DATE	DRAWN	APPROVED
1 st ANGLE	PREMAC PRECISION MACHINE MANUFACTURERS (PTY)LTD	DESCRIPTION SOFT START CARTRIDGE STOPPER		PART No		SCALE

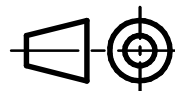


16 COILS INC. ENDS SCRAGED & GROUND

REV	MATERIAL	TREATMENT	SHEET	OF	DATE	DRAWN	APPROVED
1st ANGLE	 PREMAC PRECISION MACHINE MANUFACTURERS (PTY)LTD	DESCRIPTION	SOFT START CARTRIDGE SPRING				
		PART No	SCALE				



SOFT START CARTRIDGE PTFE SEALS

REV	MATERIAL PTFE	TREATMENT NONE	SHEET	OF	DATE	DRAWN	APPROVED
1st ANGLE	 PREMAC PRECISION MACHINE MANUFACTURERS (PTY)LTD	DESCRIPTION				SCALE	
		PART No					