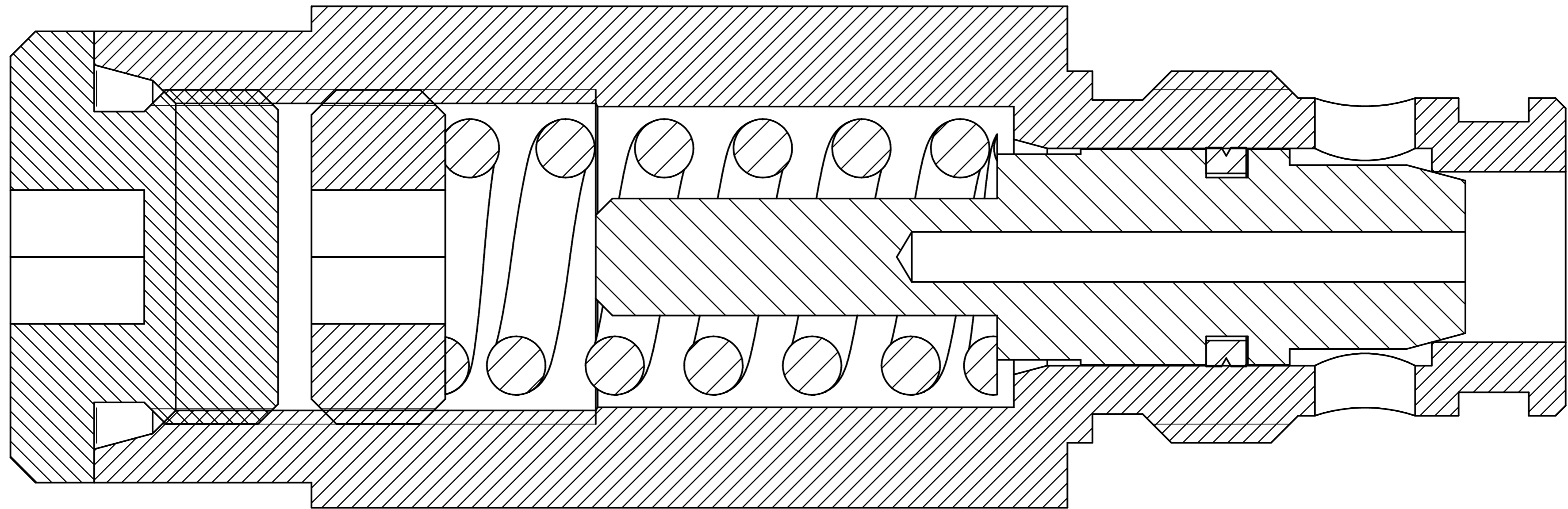


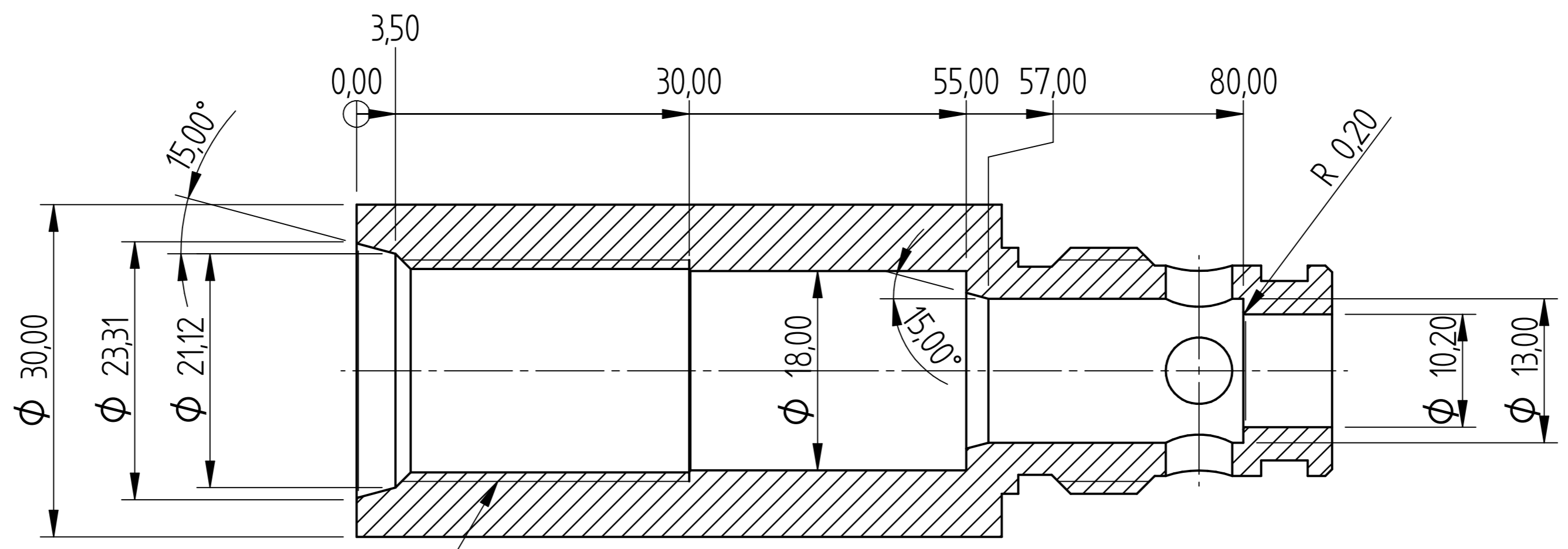
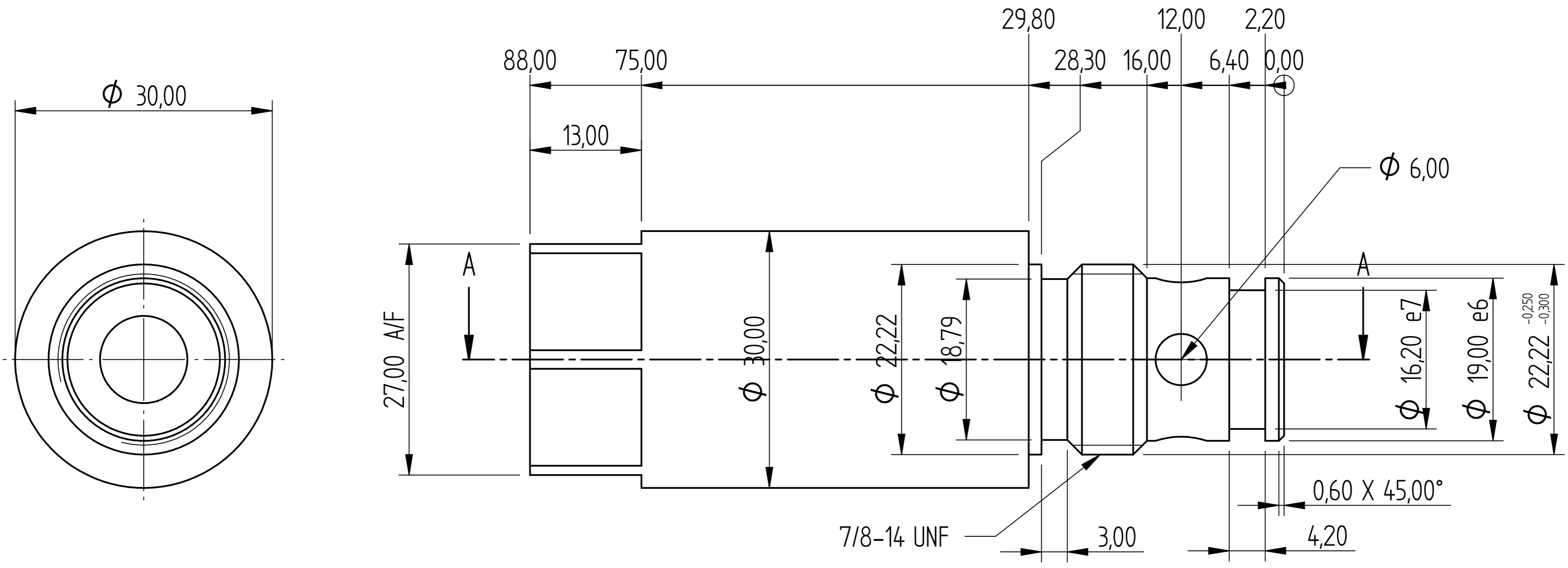
REVISION HISTORY			
REV	DESCRIPTION	DATE	APPROVED



TORROW PORT RELIEF

	NAME	DATE	PREMAC	
DRAWN	DG	02/13/14		
APPROVED				
MATERIAL				
TREATMENT			TITLE	
UNLESS OTHERWISE SPECIFIED DIMENSIONS ARE IN MILLIMETERS			SIZE	DWG NO
1 ST ANGLE ANGLES ±0.1°			A4	
2 PL ±0.02 3 PL ±0.005			FILE NAME: Port Relief.dft	REV
			SCALE:	WEIGHT:
				SHEET 1 OF 2

REVISION HISTORY			
REV	DESCRIPTION	DATE	APPROVED



M20 x 1.5 - 30,00 DEEP

SECTION A-A

TORROW PORT RELIEF HOUSING

DRAWN	NAME	DATE	PREMAC	
APPROVED	DG	02/13/14		
MATERIAL			TITLE	
TREATMENT			TORROW PORT RELIEF	
UNLESS OTHERWISE SPECIFIED DIMENSIONS ARE IN MILLIMETERS			SIZE	DWG NO
1 ST ANGLE			A4	
ANGLES ±0.1°			REV	
2 PL ±0.02 3 PL ±0.005			FILE NAME: Port Relief.dft	
SCALE:		WEIGHT:	SHEET 2 OF 2	