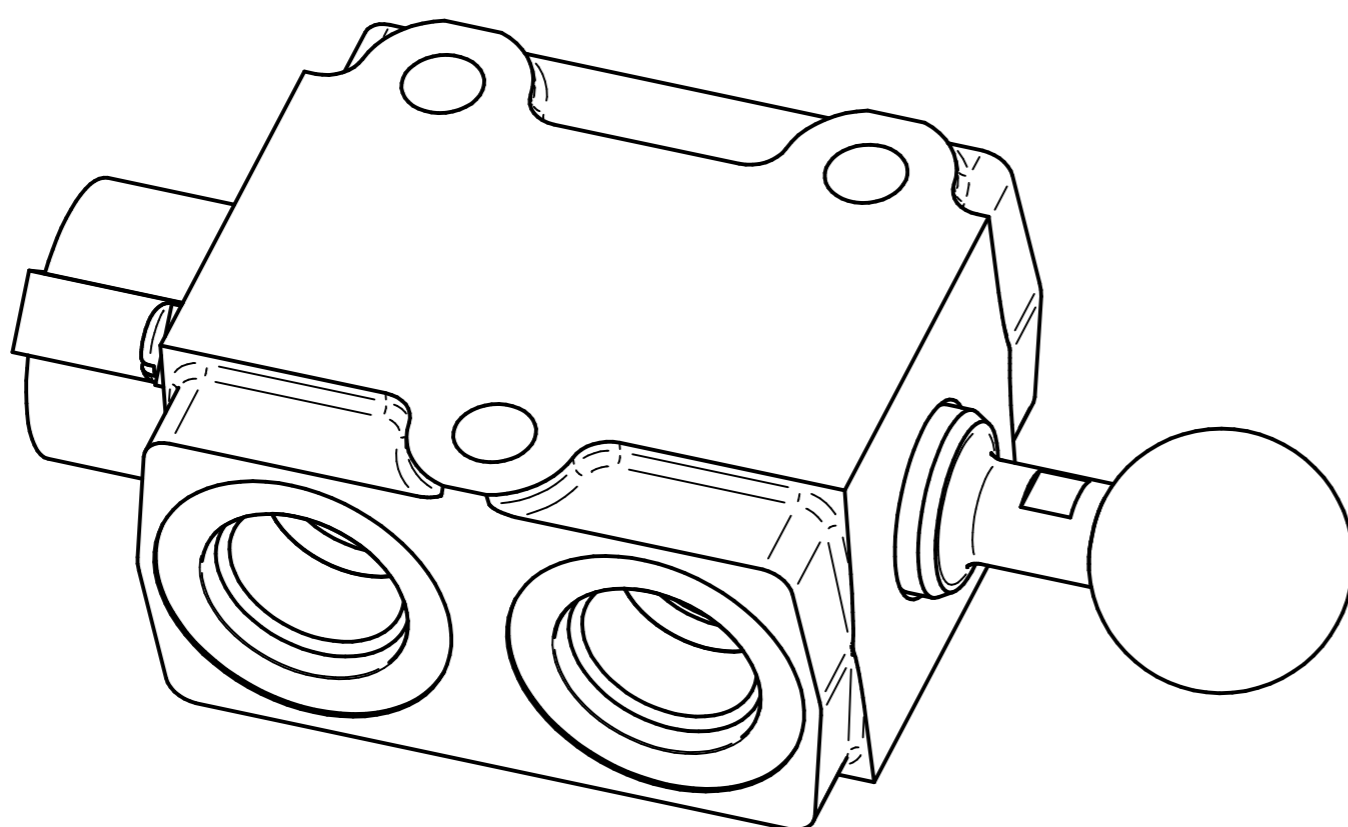
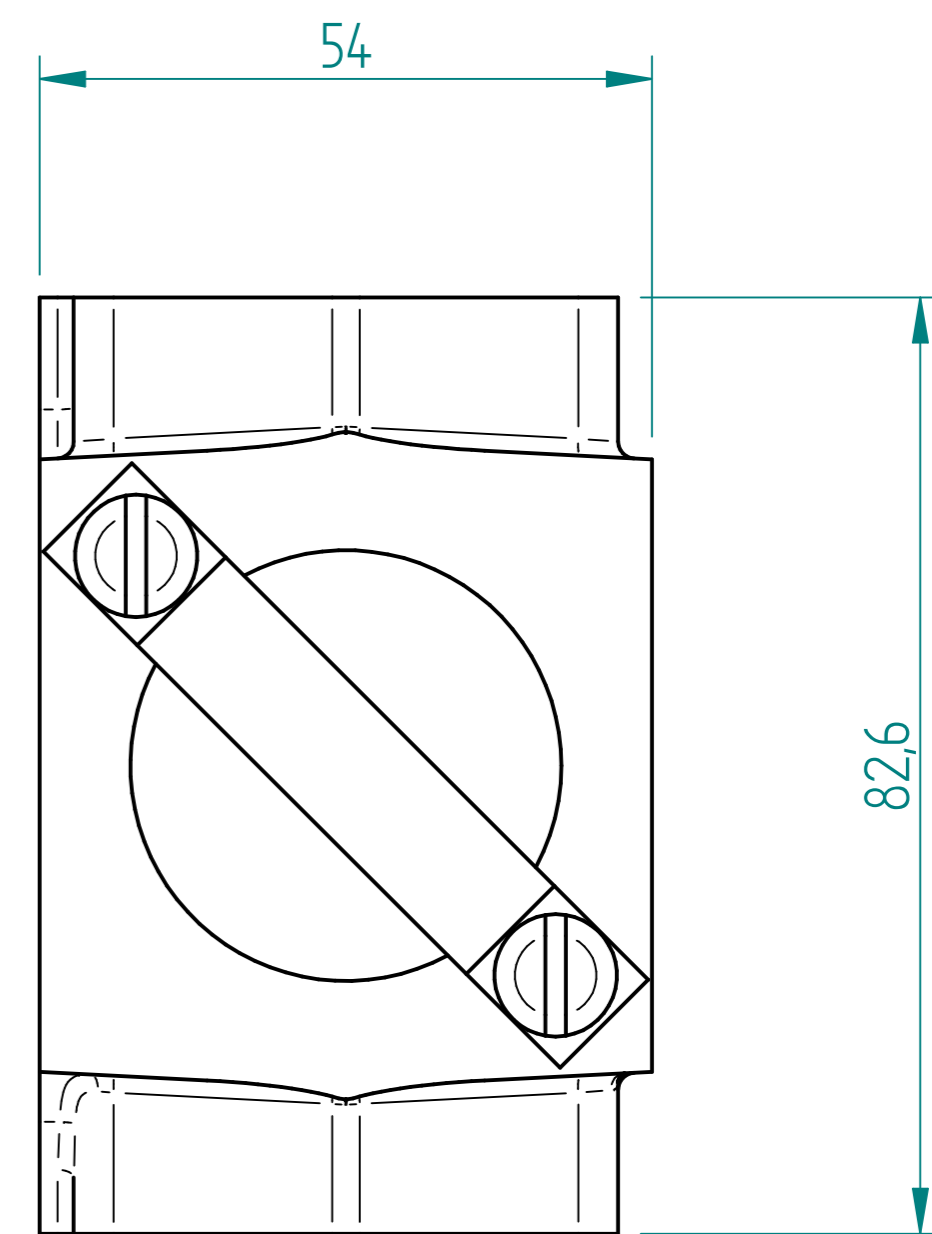
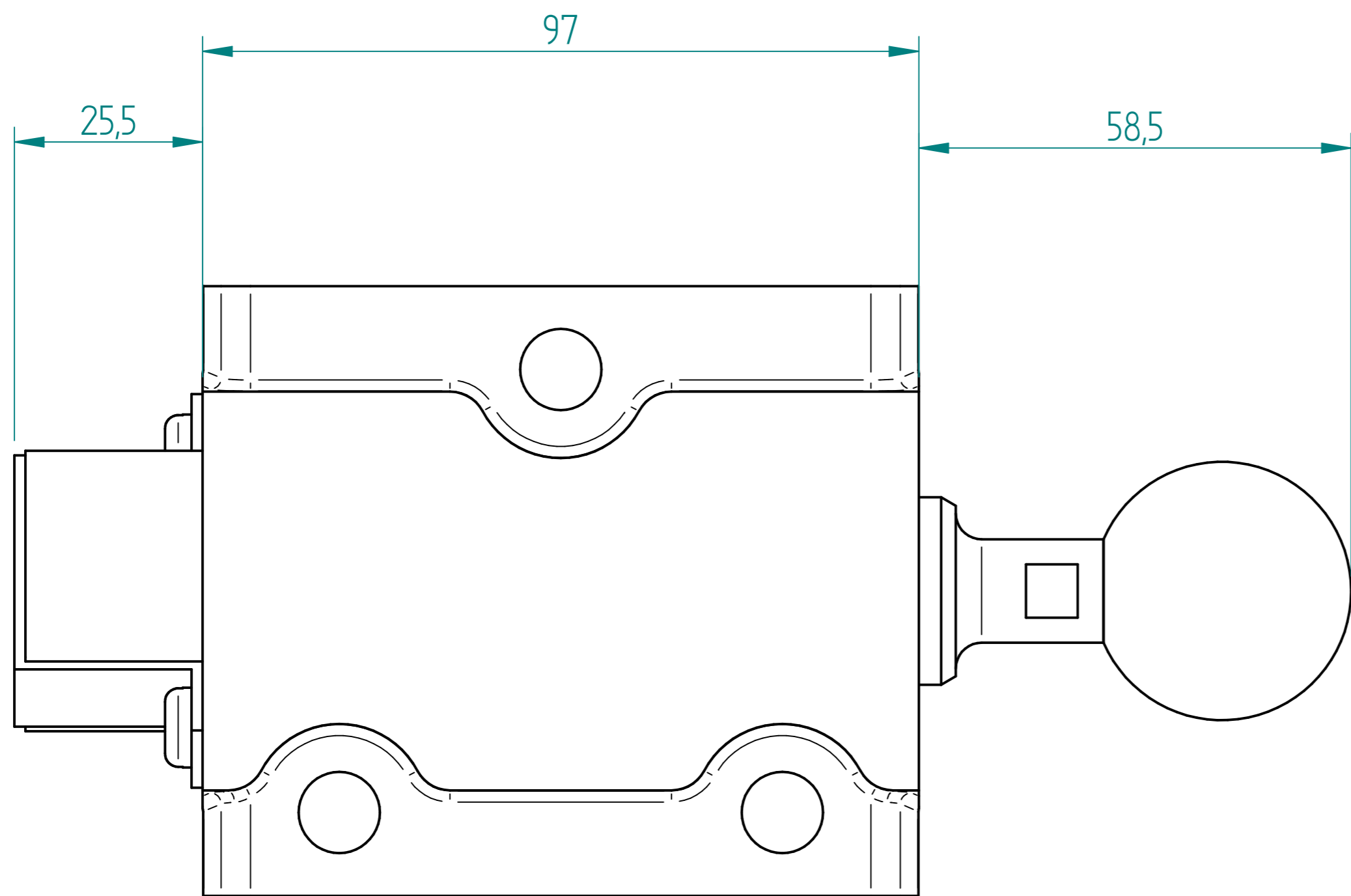


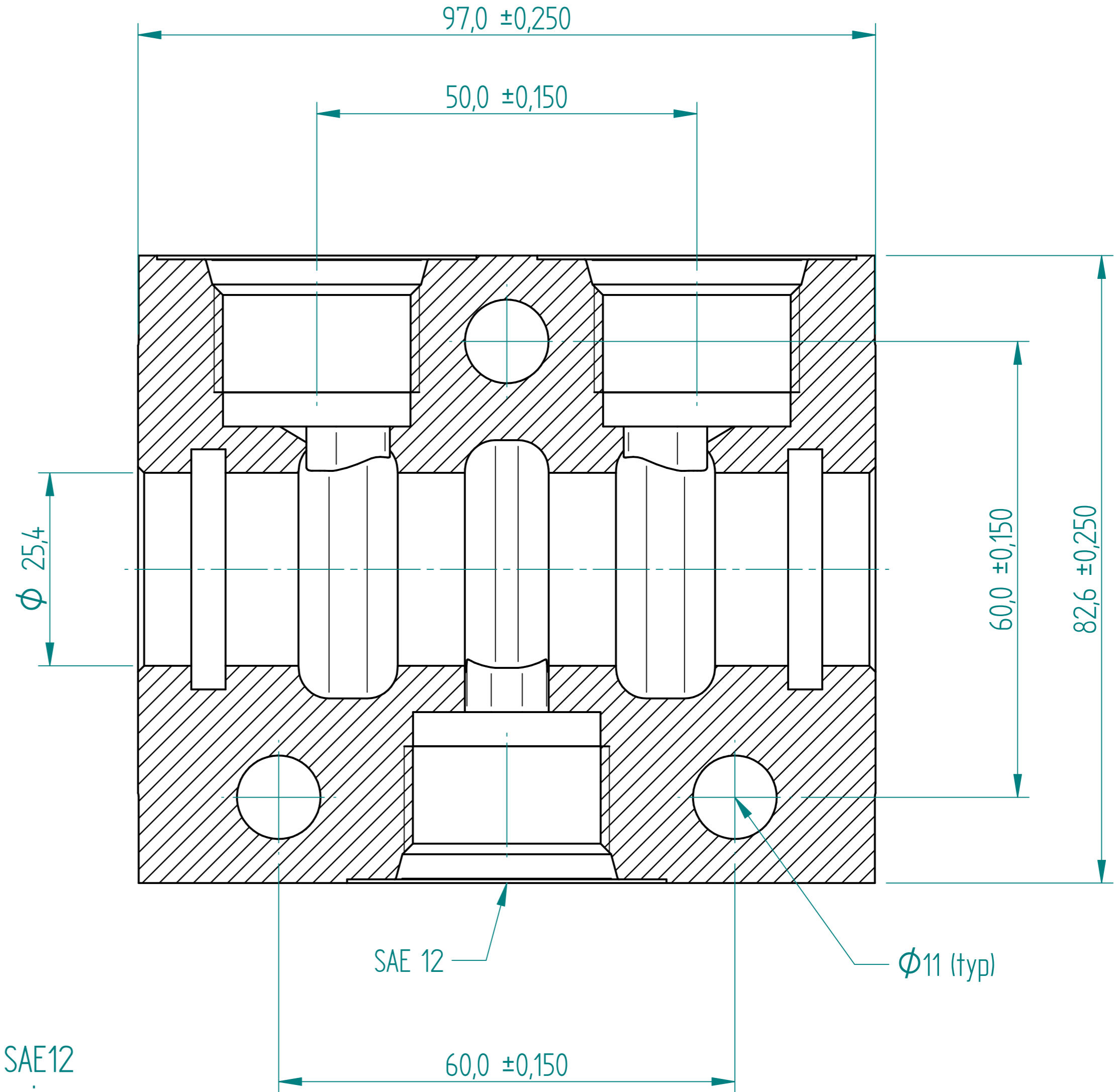
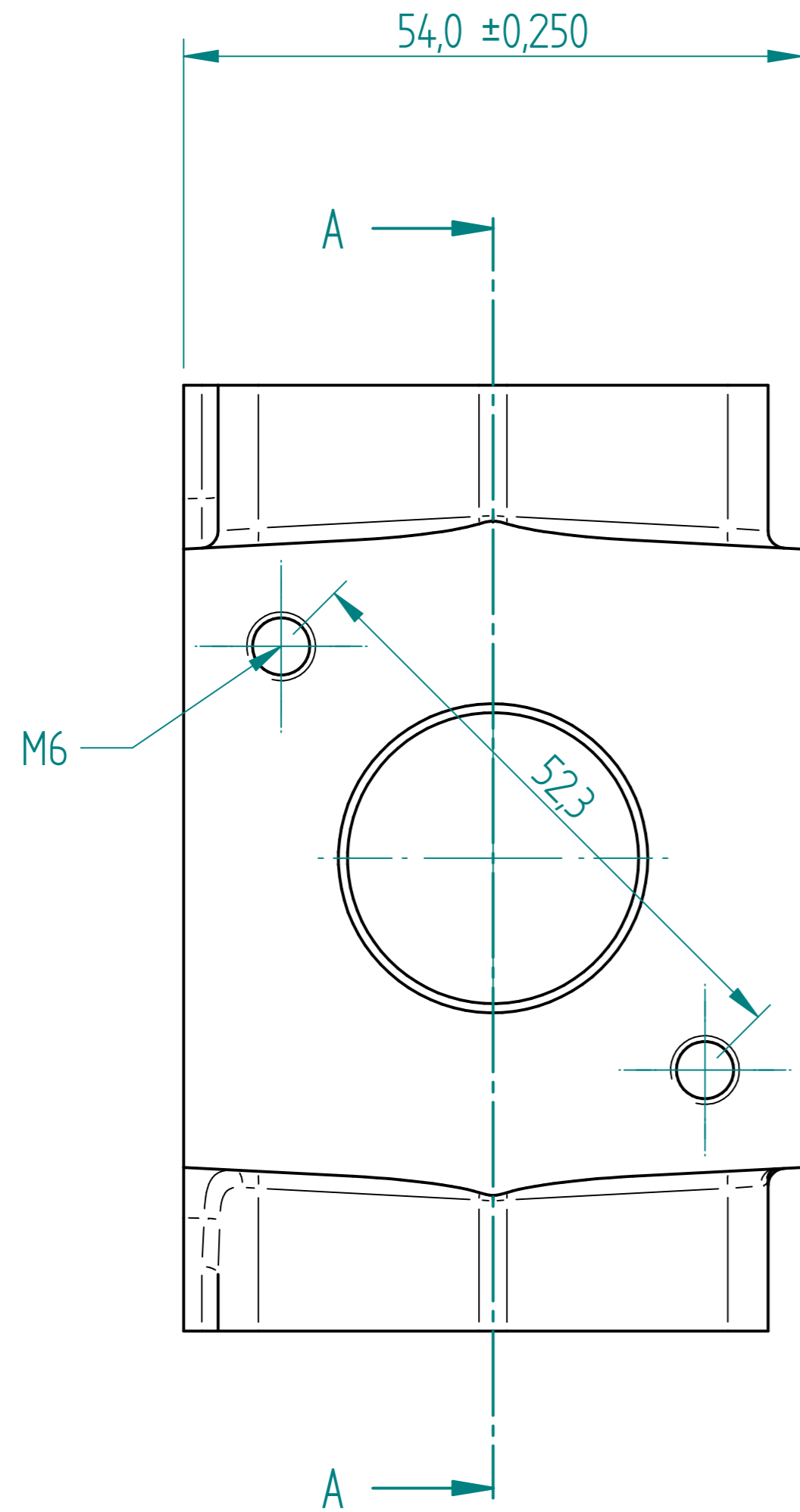
REVISION HISTORY			
REV	DESCRIPTION	DATE	APPROVED



Selector Valve SAE12

	NAME	DATE	PREMAC		
DRAWN	Dan	03/10/22			
APPROVED	D.L.G.	04/10/22	TITLE Selector Valve SAE12		
MATERIAL					
TREATMENT			SIZE A2	DWG NO SV SAE12	REV
TOLERANCES ARE +/-0.25 UNLESS OTHERWISE SPECIFIED			FILE NAME: SV SAE12.dft		
DIMENSIONS ARE IN MILLIMETERS			SCALE:	WEIGHT:	SHEET 1 OF 4
1 ST ANGLE			ANGLES ±0.1°		

REVISION HISTORY			
REV	DESCRIPTION	DATE	APPROVED



SV SAE12
Housing

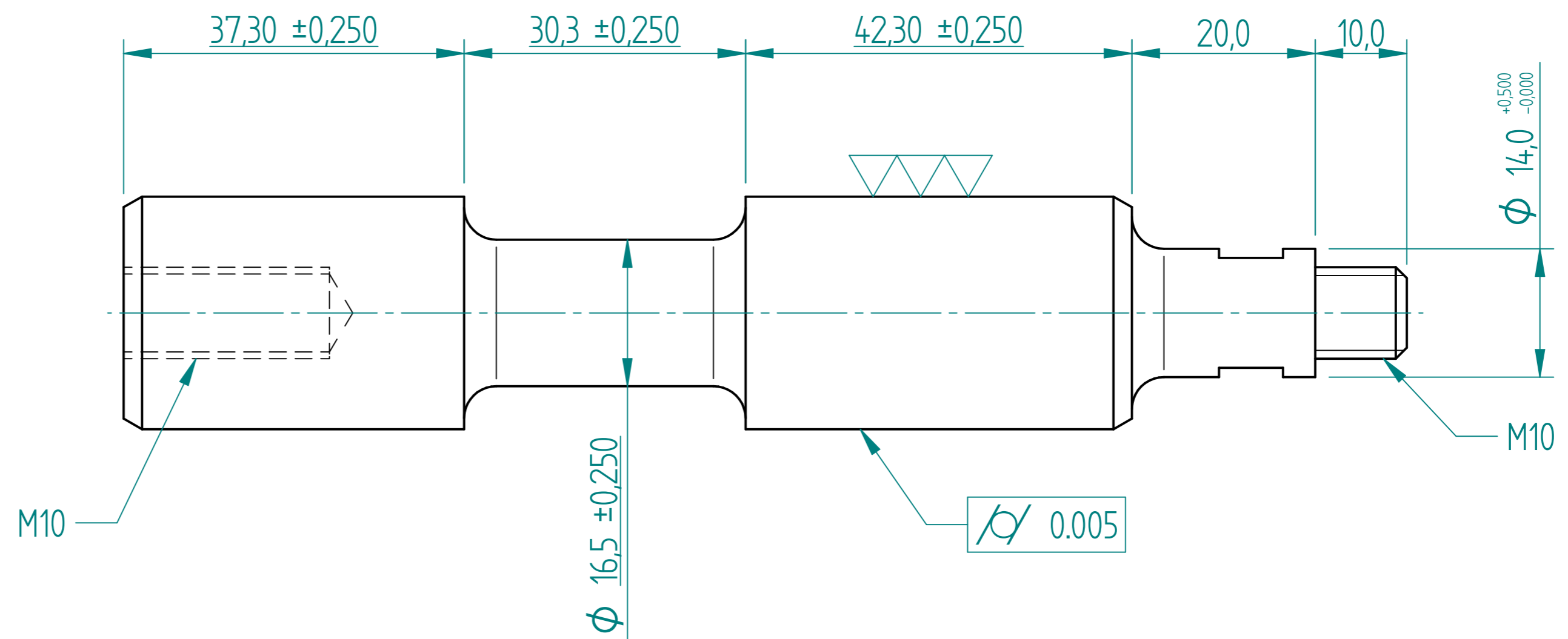
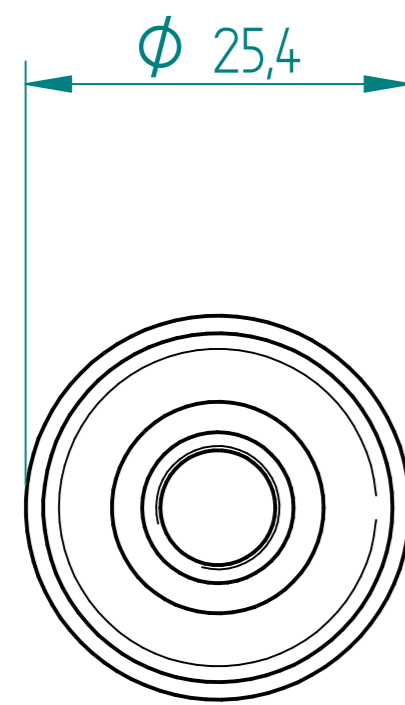
SECTION A-A

NOTE: THE DIA25.4 BORE IS HONNED
TO FIT THE SPOOL

NAME	DATE	PREMAC	
DRAWN Dan	03/10/22		
APPROVED D.L.G.	04/10/22	TITLE	
MATERIAL CAST IRON		Selector Valve SAE12	
TREATMENT		SIZE A2	DWG NO SV SAE12
TOLERANCES ARE +/-0.25 UNLESS OTHERWISE SPECIFIED DIMENSIONS ARE IN MILLIMETERS ANGLES ±0.1°		FILE NAME: SV SAE12.dft	REV
		SCALE:	WEIGHT:

REVISION HISTORY			
REV	DESCRIPTION	DATE	APPROVED

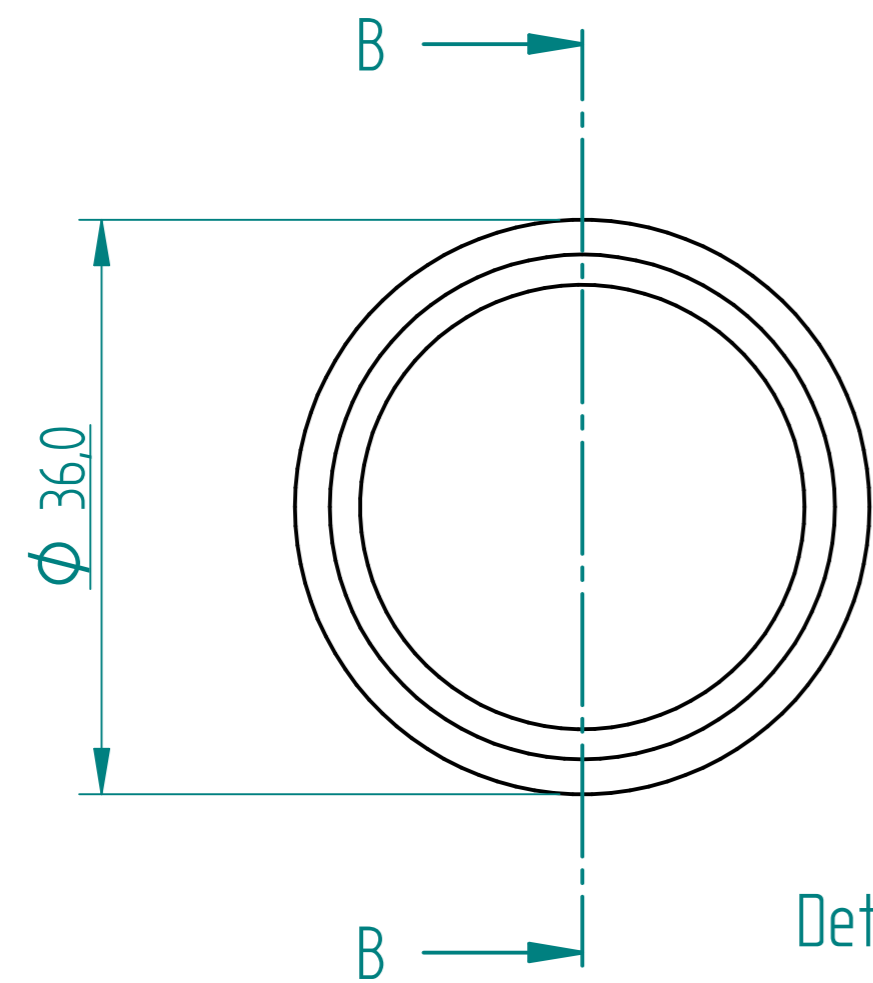
REFERENCE SIZE ONLY
RELATIVE TO VALVE HONNING



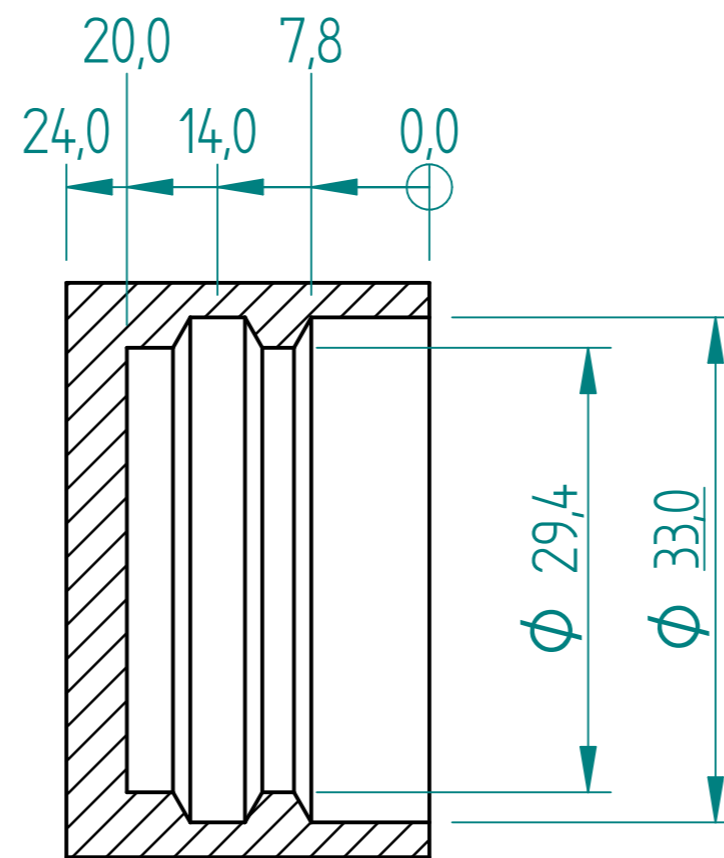
SV SAE12
SPOOL

	NAME	DATE	PREMAC		
DRAWN	Dan	03/10/22			
APPROVED	D.L.G.	04/10/22	TITLE Selector Valve SAE12		
MATERIAL	STEEL				
TREATMENT	HARD CHROME		SIZE A2	DWG NO SV SAE12	REV
TOLERANCES ARE +/-0.25 UNLESS OTHERWISE SPECIFIED			FILE NAME: SV SAE12.dft		
1 ST ANGLE 			SCALE:	WEIGHT:	SHEET 3 OF 4

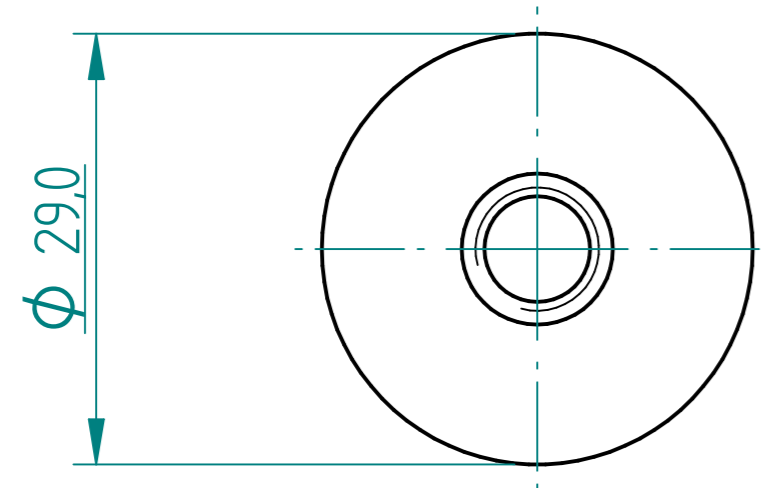
REVISION HISTORY			
REV	DESCRIPTION	DATE	APPROVED



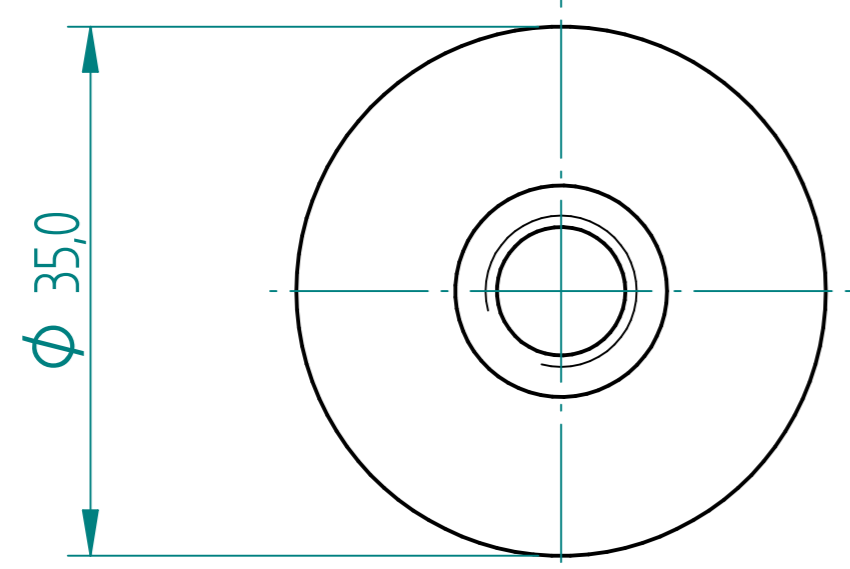
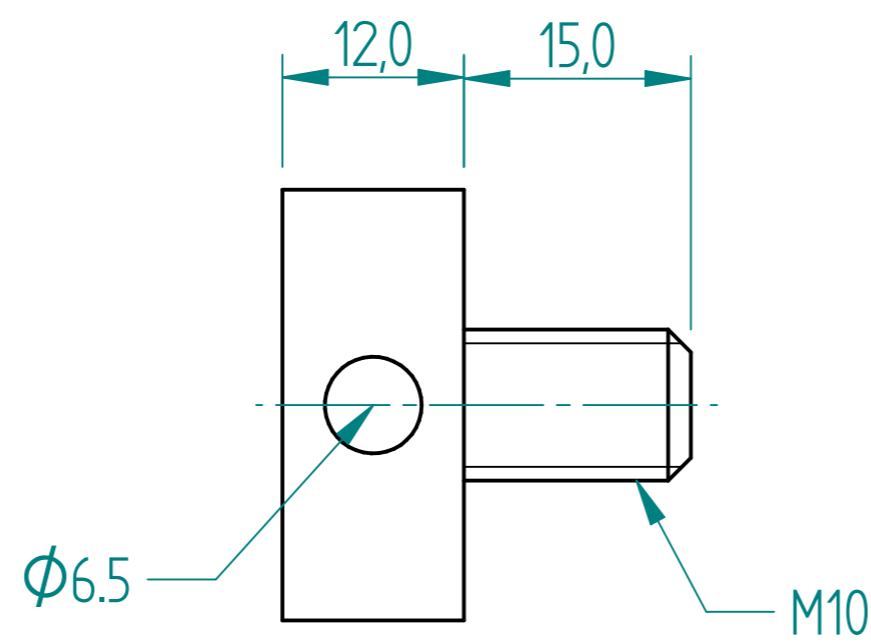
Detent Sleeve



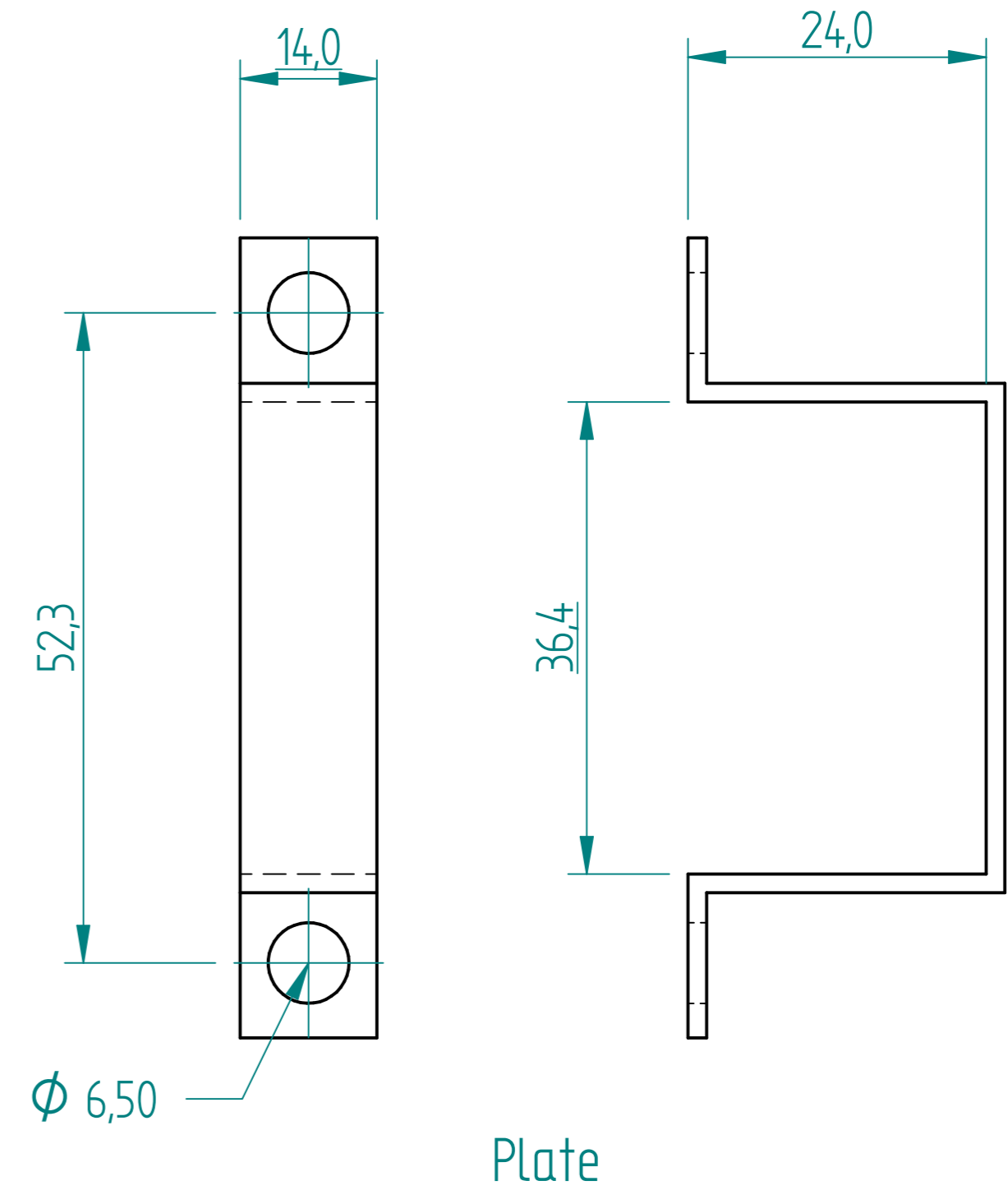
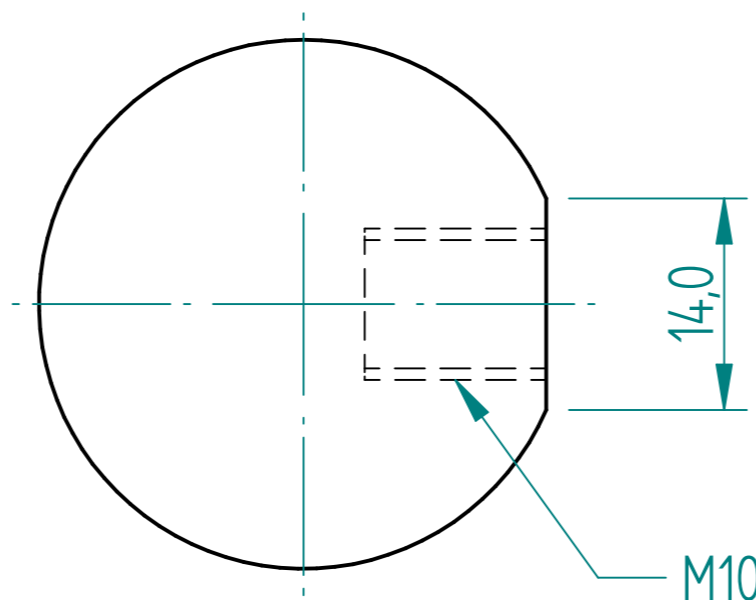
SECTION B-B



Detent Screw



Knob



Plate

DRAWN	NAME	DATE	PREMAC	
APPROVED	D.L.G.	04/10/22		
MATERIAL	STEEL		TITLE	
TREATMENT			Selector Valve SAE12	
TOLERANCES ARE +/-0.25 UNLESS OTHERWISE SPECIFIED			SIZE	DWG NO
DIMENSIONS ARE IN MILLIMETERS			A2	SV SAE12
ANGLES $\pm 0,1^\circ$			FILE NAME: SV SAE12.dft	REV
1st ANGLE			SCALE:	WEIGHT:
SHEET 4 OF 4				