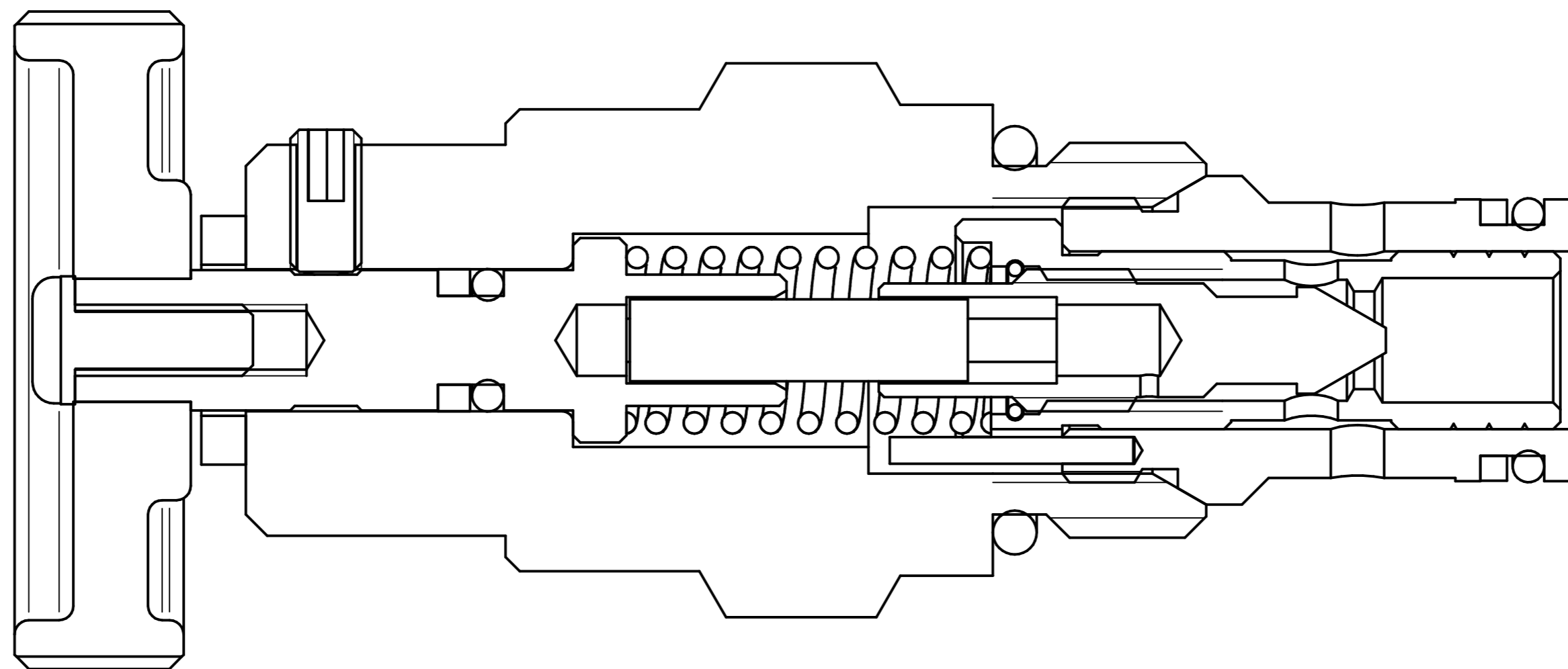
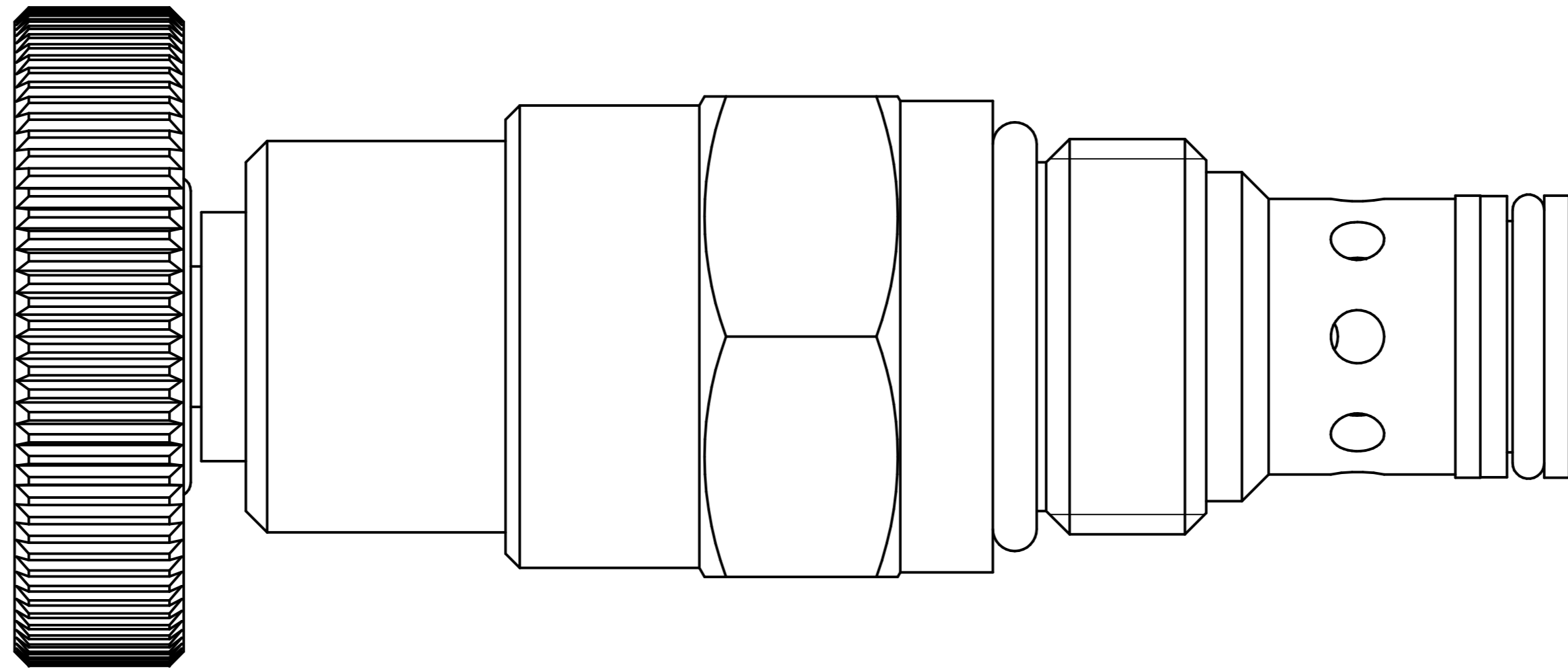



REVISION HISTORY			
REV	DESCRIPTION	DATE	APPROVED



	NAME	DATE	PREMAC		
DRAWN	Dan	01/14/21			
APPROVED					
MATERIAL					
TREATMENT			TITLE		
UNLESS OTHERWISE SPECIFIED DIMENSIONS ARE IN MILLIMETERS			SIZE A4	DWG NO	REV
1 ST ANGLE  2 PL ±0.02 3 PL ±0.005			FILE NAME: Throttle Cartridge.dft		
			SCALE:	WEIGHT:	SHEET 1 OF 1