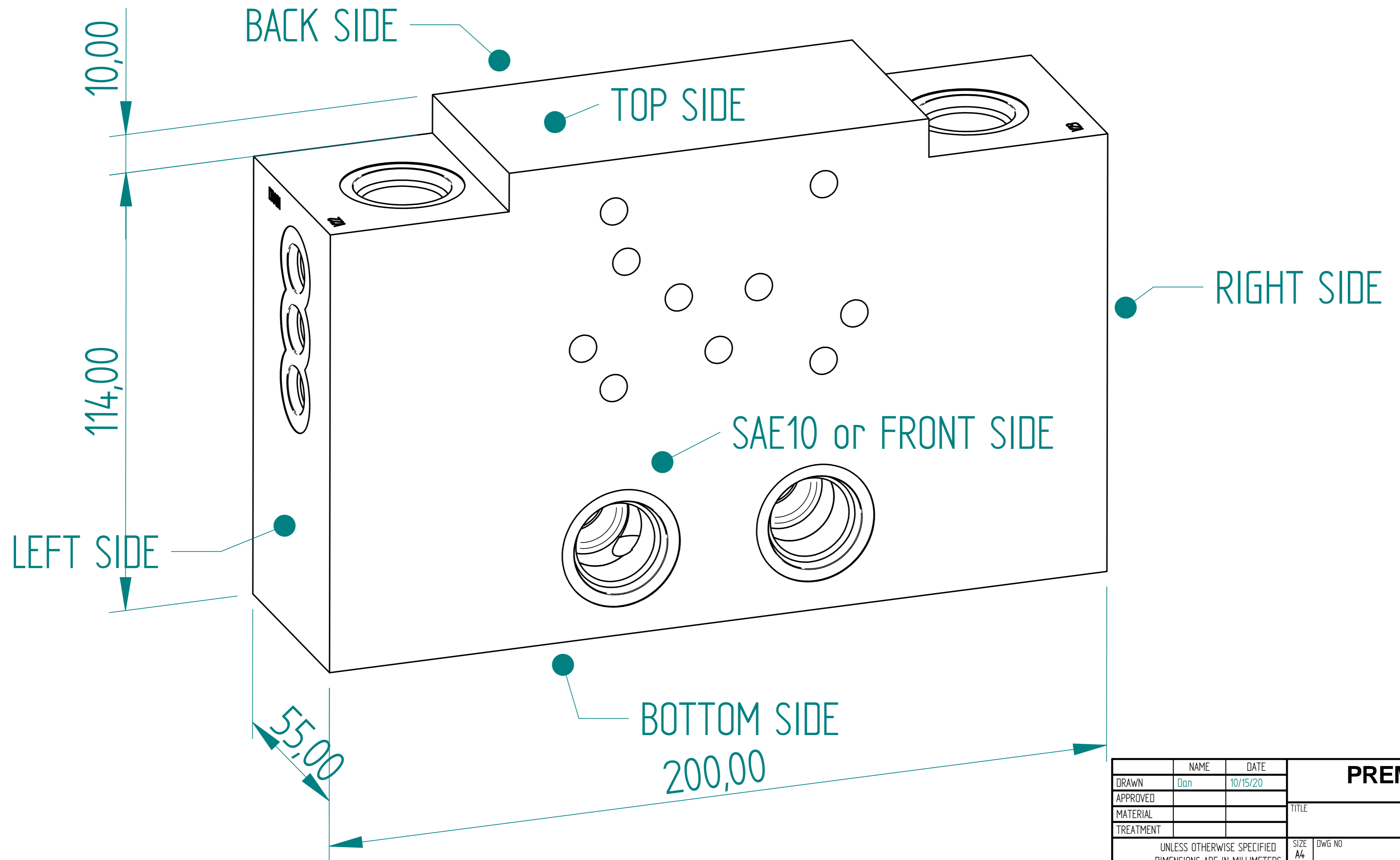


REVISION HISTORY			
REV	DESCRIPTION	DATE	APPROVED



	NAME	DATE	<b>PREMAC</b>	
DRAWN	Dan	10/15/20		
APPROVED			TITLE	
MATERIAL				
TREATMENT				
UNLESS OTHERWISE SPECIFIED DIMENSIONS ARE IN MILLIMETERS ANGLES ±0.1°			SIZE A4	DWG NO
1st ANGLE 2 PL ±0.02 3 PL ±0.005			FILE NAME: 200x124x55.dft	REV
			SCALE:	WEIGHT: SHEET 1 OF 7