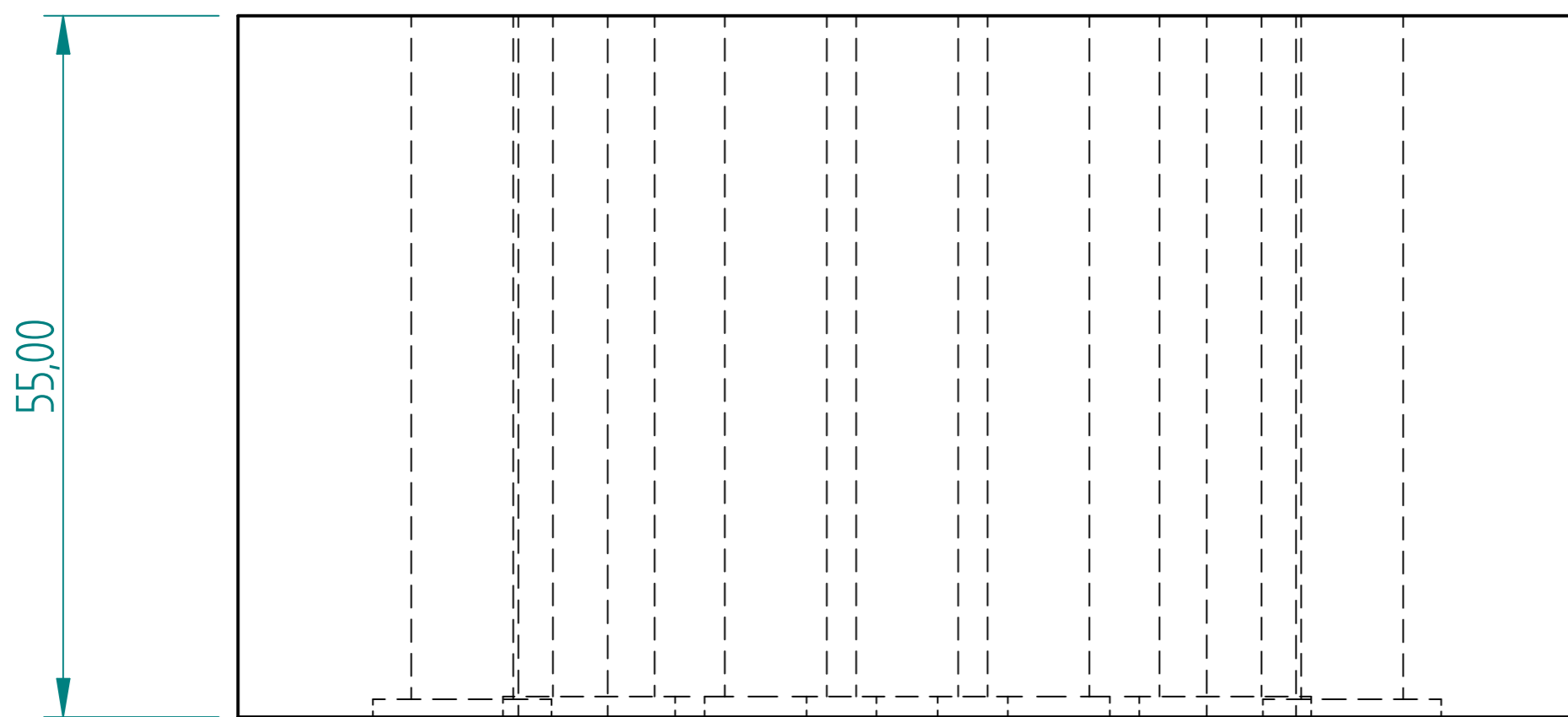
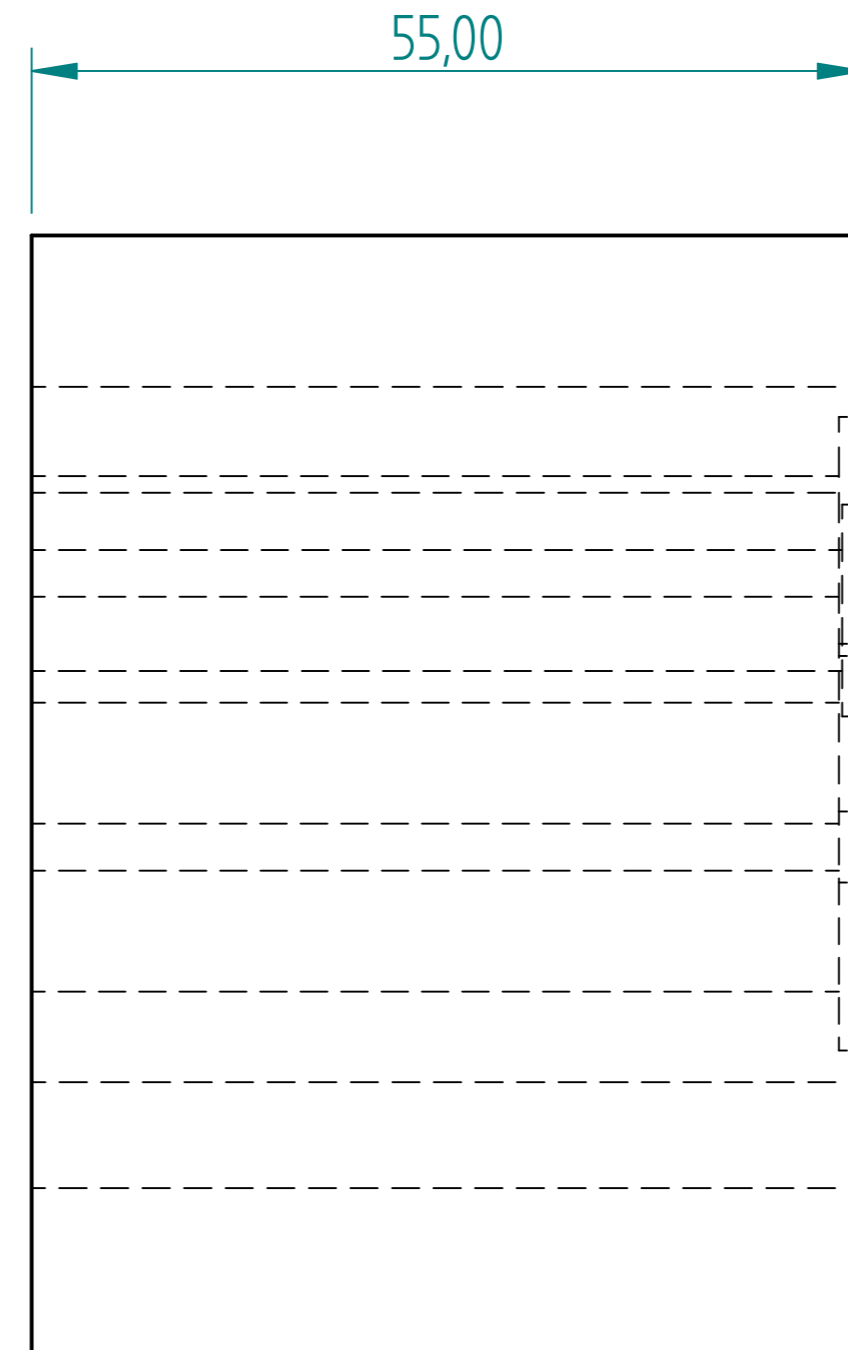
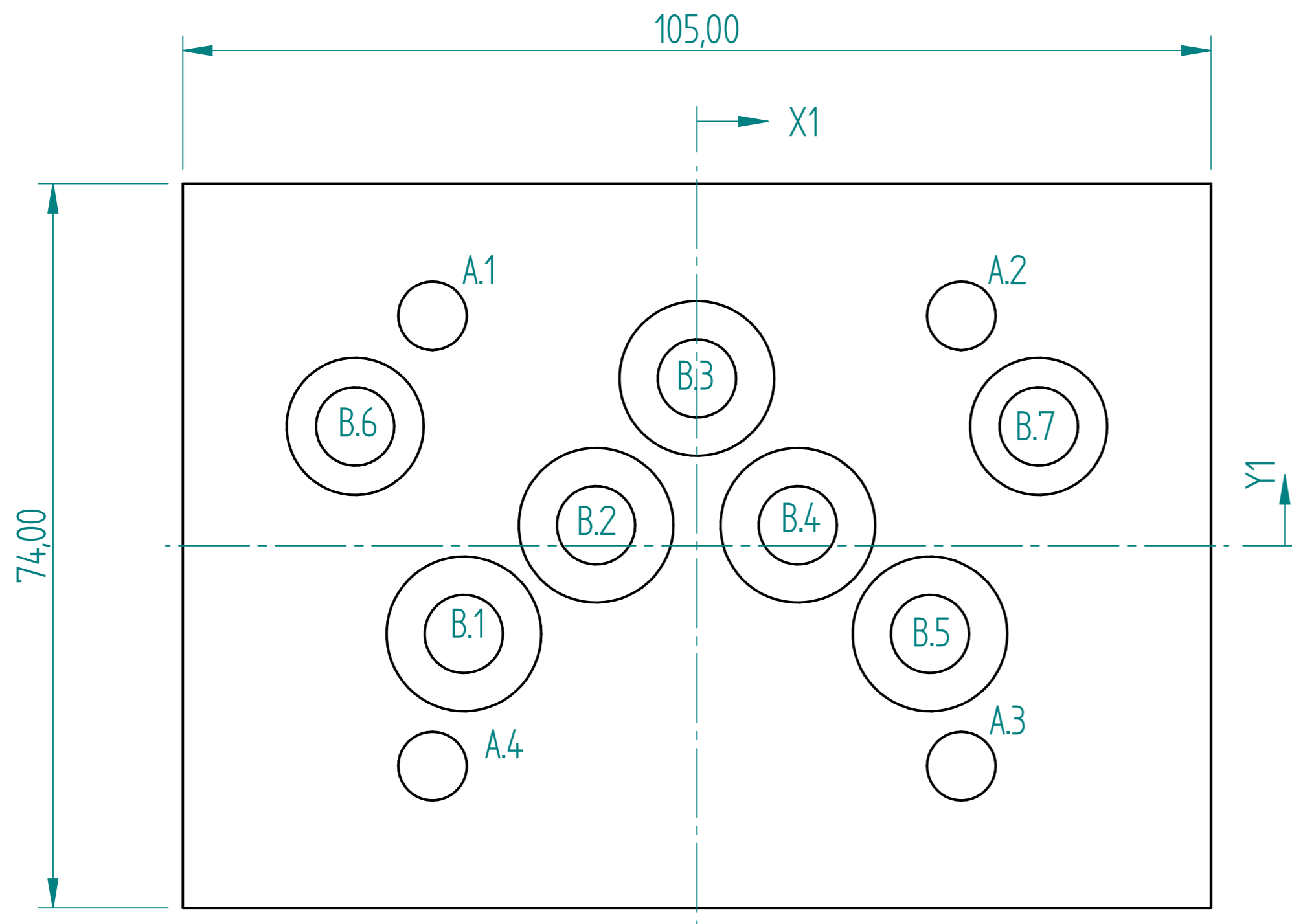


REVISION HISTORY			
REV	DESCRIPTION	DATE	APPROVED



Hole Table				
Hole	X	Y	Size	Callout 1
A.1	-27,00	23,50	φ 7,00	
A.2	27,00	23,50	φ 7,00	
A.3	27,00	-22,50	φ 7,00	
A.4	-27,00	-22,50	φ 7,00	
B.1	-23,80	-9,00	φ 8,00	φ15,80-160
B.2	-10,30	2,10	φ 8,00	φ15,80-160
B.3	,00	17,10	φ 8,00	φ15,80-160
B.4	10,30	2,10	φ 8,00	φ15,80-160
B.5	23,80	-9,00	φ 8,00	φ15,80-160
B.6	-34,90	12,20	φ 8,00	φ14,00-140
B.7	34,90	12,20	φ 8,00	φ14,00-140

	NAME	DATE	<b>PREMAC</b>	
DRAWN	Dan	10/15/20		
APPROVED				
MATERIAL				
TREATMENT			TITLE	
UNLESS OTHERWISE SPECIFIED DIMENSIONS ARE IN MILLIMETERS ANGLES ±0.1°			SIZE A4	DWG NO
1st ANGLE 2 PL ±0.02 3 PL ±0.005			FILE NAME: 105x74x55.dft	REV
			SCALE:	WEIGHT:
			SHEET 1 OF 1	