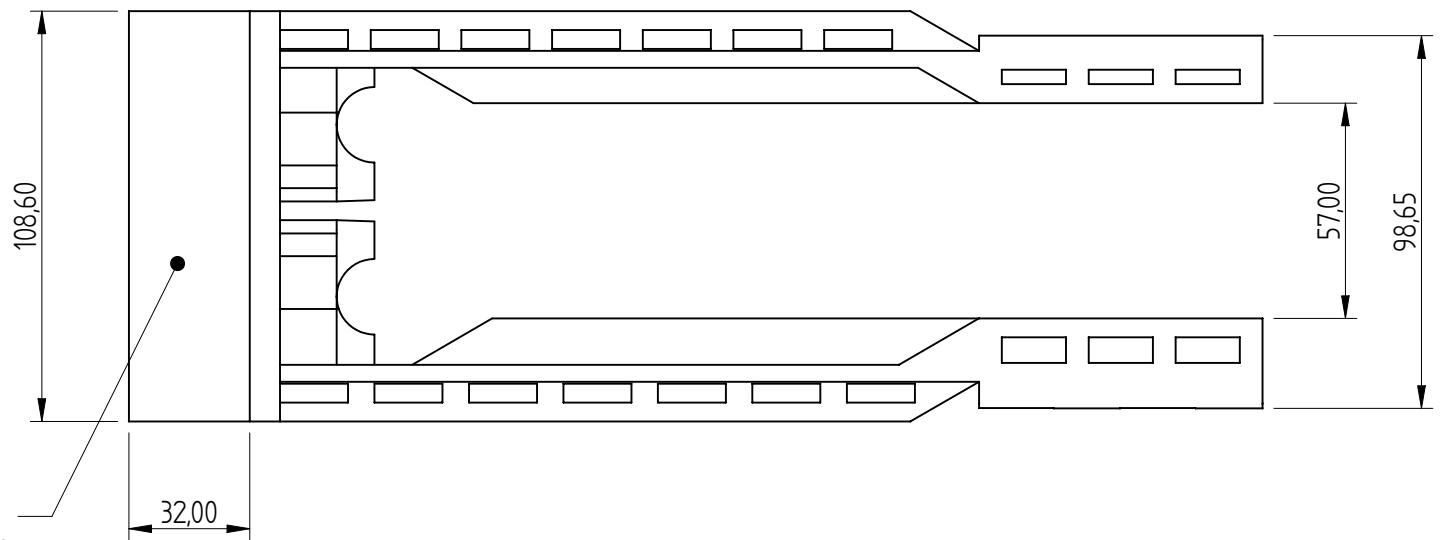
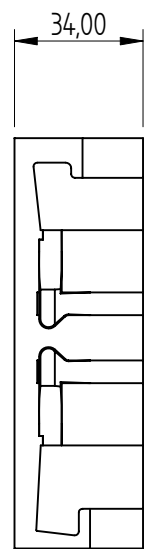
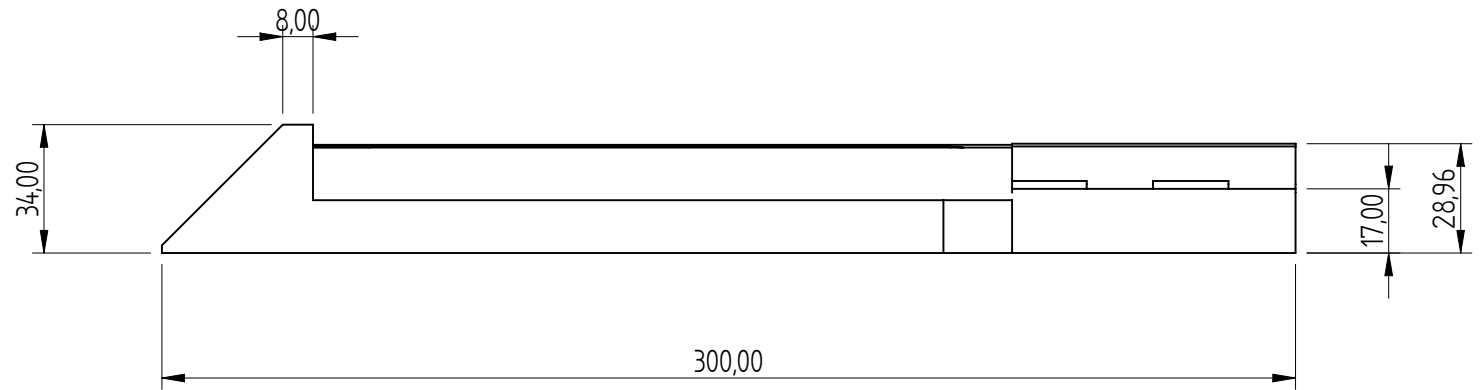
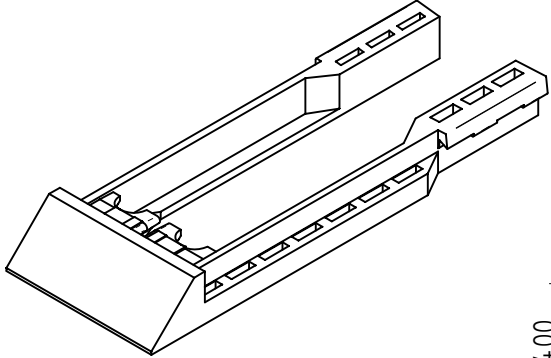


REVISION HISTORY			
REV	DESCRIPTION	DATE	APPROVED



ENGRAVE NAME .
AND CONTACT INFO

	NAME	DATE	HYDROFLOOR MANUFACTURING (PTY) LTD	
DRAWN	Dan	04/12/08	TITLE	
APPROVED			HF END CAP	
MATERIAL			SIZE	DWG NO
TREATMENT			A2	RW-27-00-00
UNLESS OTHERWISE SPECIFIED DIMENSIONS ARE IN MILLIMETERS ANGLES ±0,1°			FILE NAME:	RW-27-00-00.dft
2 PL ±0.02 3 PL ±0.005			SCALE:	WEIGHT:
			SHEET 1 OF 1	