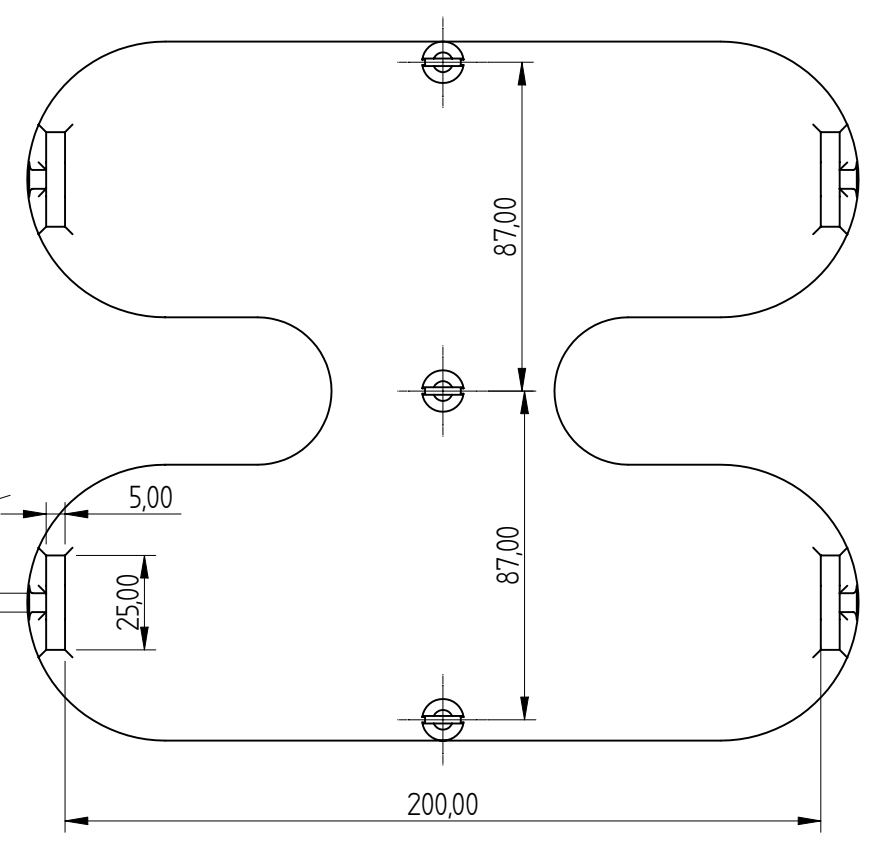
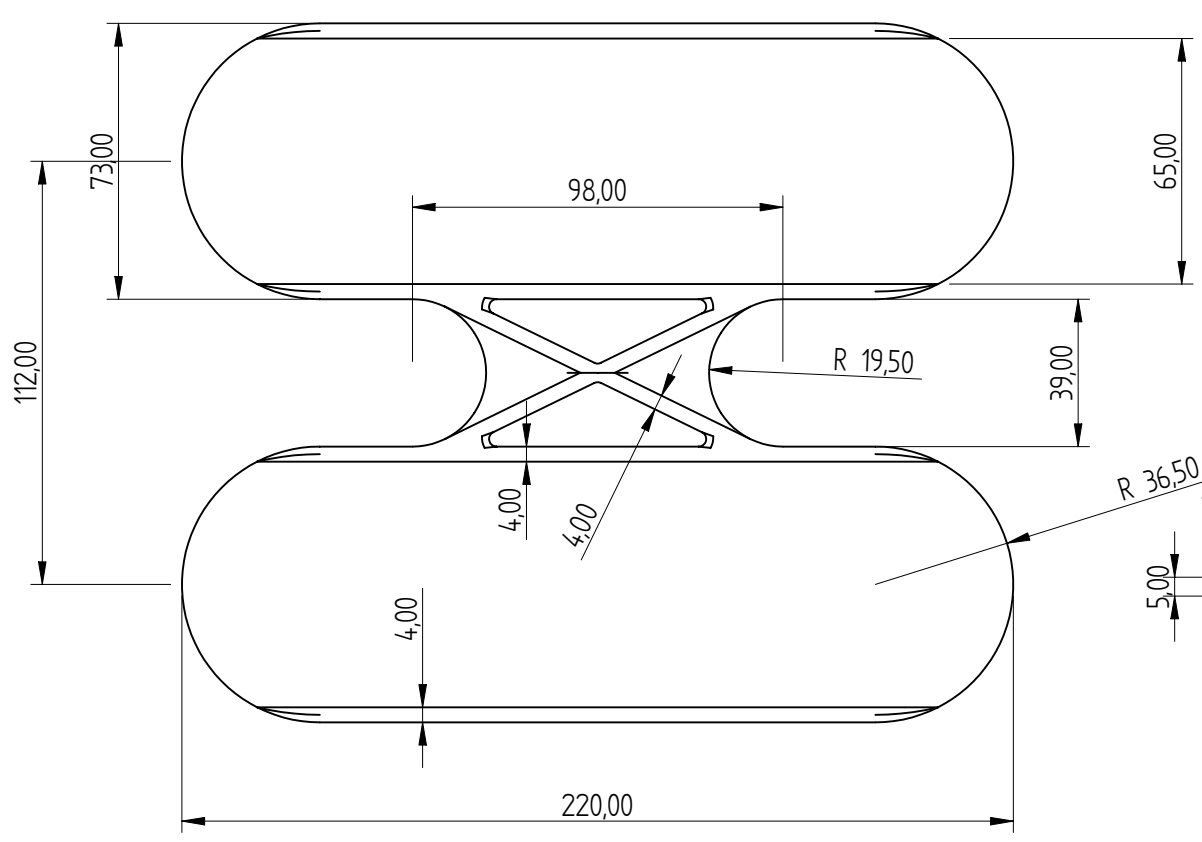
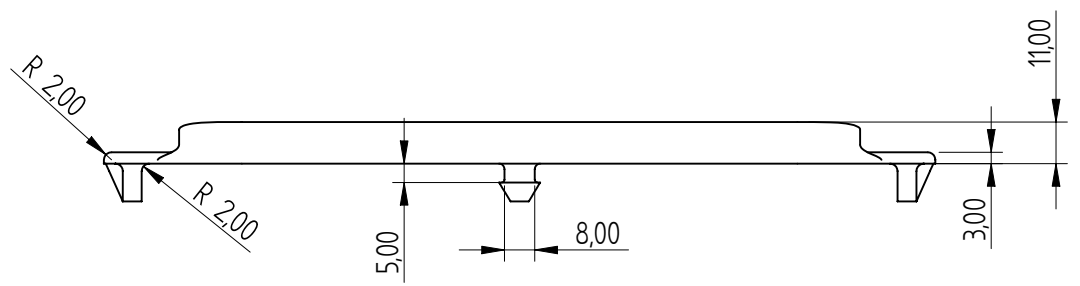


| REVISION HISTORY | | | |
|------------------|-------------|------|----------|
| REV | DESCRIPTION | DATE | APPROVED |
| | | | |



ACETAL

| | | | | |
|-----------------------------------------------------------------------------|---------|--------------|---------------------------------------|-------------|
| | NAME | DATE | HYDROFLOOR MANUFACTURING (PTY) LTD | |
| DRAWN | Dan | 04/12/08 | TITLE | |
| APPROVED | | | FR FOOT SLIDE PAD | |
| MATERIAL | | | SIZE | DWG NO |
| TREATMENT | | | A2 | RW-26-00-00 |
| UNLESS OTHERWISE SPECIFIED DIMENSIONS ARE IN MILLIMETERS ANGLES ±0,1° | | | FILE NAME: | REV |
| 2 PL ±0,02 3 PL ±0,005 | | | RW-26-00-00.dft | |
| SCALE: | WEIGHT: | SHEET 1 OF 1 | | |