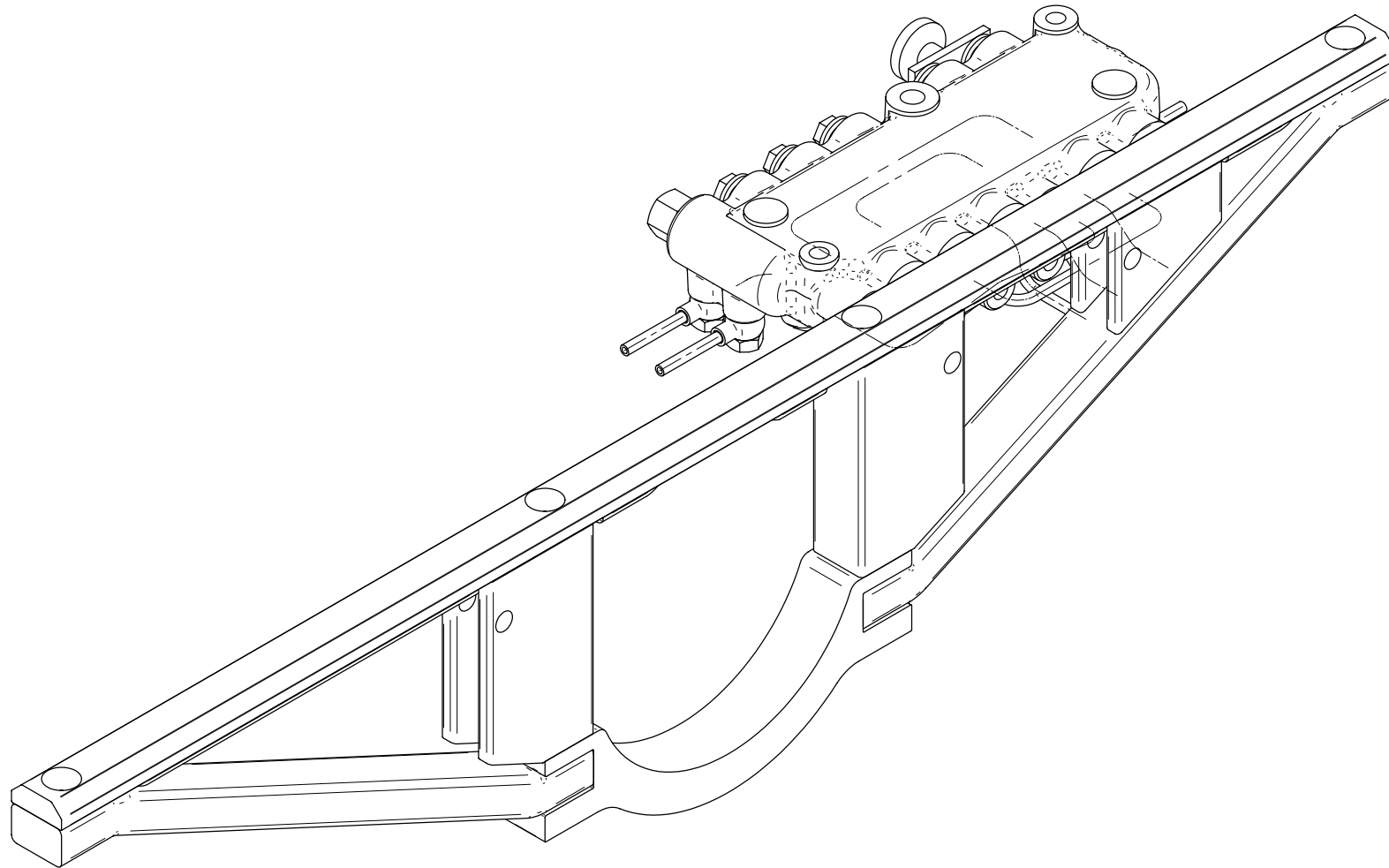
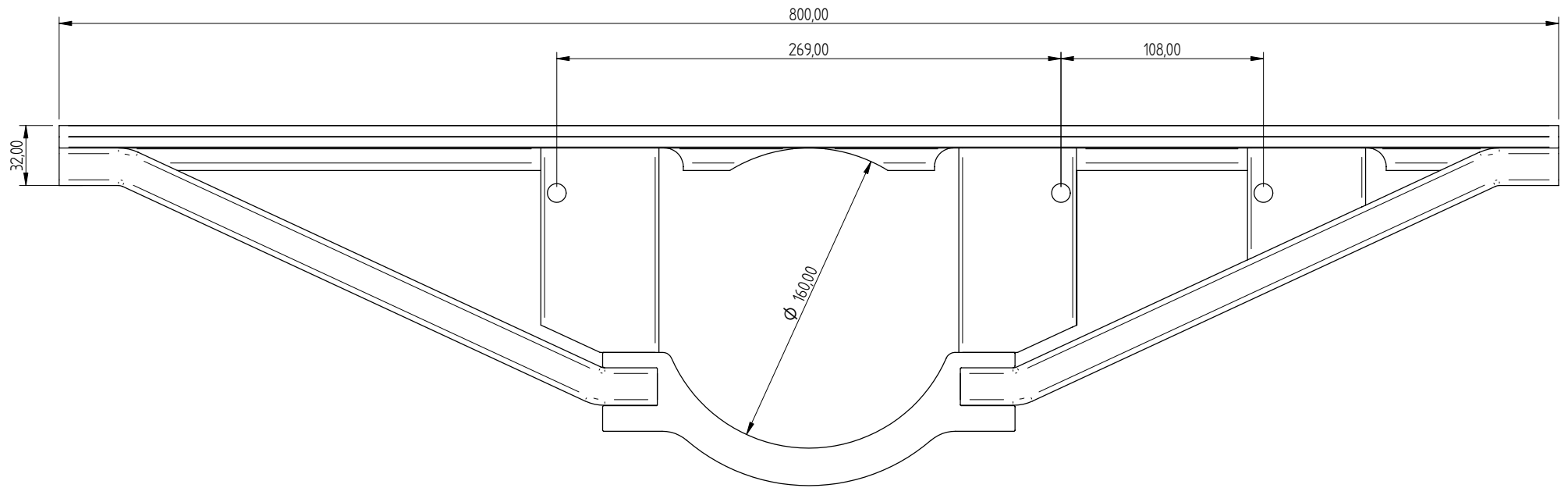


REVISION HISTORY			
REV	DESCRIPTION	DATE	APPROVED



DRAWN	NAME	DATE	HYDROFLOOR	
APPROVED	Dgn	04/11/08	MANUFACTURING (PTY) LTD	
MATERIAL			TITLE	
TREATMENT			BRIDGE CLAMP ASSEMBLY	
(UNLESS OTHERWISE SPECIFIED)			SCALE	DWG NO
DIMENSIONS ARE IN MILLIMETERS			A2	RW-24-02-01
ANGLES ±0.1°			FILE NAME	REV
2 PL ±0.02 3 PL ±0.005			RW-24-00-00.dft	
			SCALE	WEIGHT
				SHEET 1 OF 7

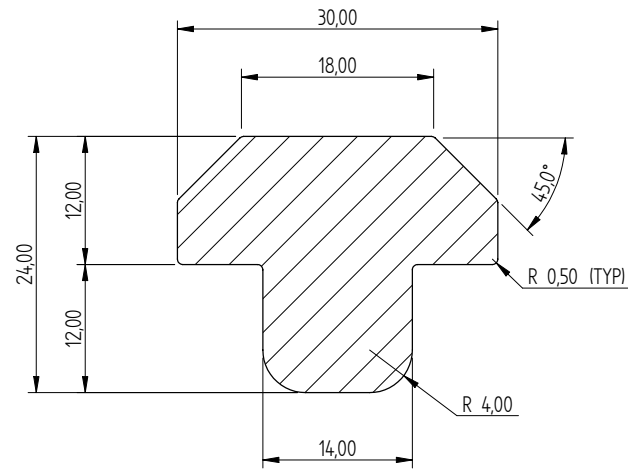
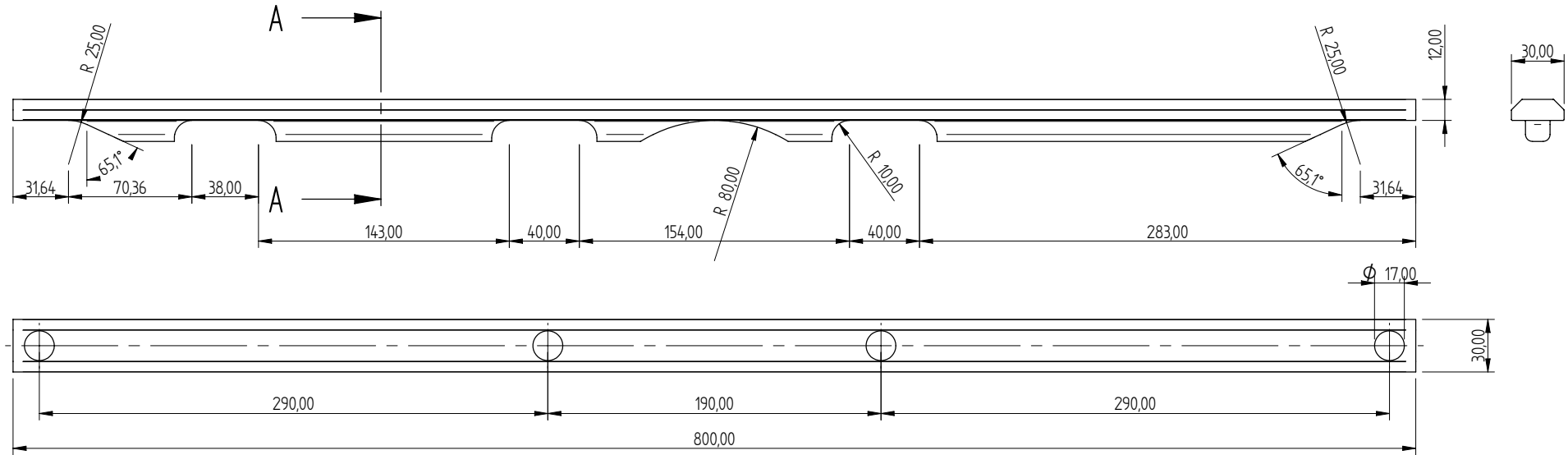
REVISION HISTORY			
REV	DESCRIPTION	DATE	APPROVED



RW-24-02-01

DRAWN	NAME	DATE	HYDROFLOOR	
APPROVED	Dgn	04/11/08	MANUFACTURING (PTY) LTD	
MATERIAL			TITLE	
TREATMENT			BRIDGE CLAMP ASSEMBLY	
UNLESS OTHERWISE SPECIFIED			SIZE	DWG NO
DIMENSIONS ARE IN MILLIMETERS			A2	RW-24-02-01
ANGLES $\pm 0,1^\circ$			FILE NAME	REV
2 PL $\pm 0,02$ 3 PL $\pm 0,005$			RW-24-00-00.dft	
SCALE:			WEIGHT:	SHEET 2 OF 7

REVISION HISTORY			
REV	DESCRIPTION	DATE	APPROVED

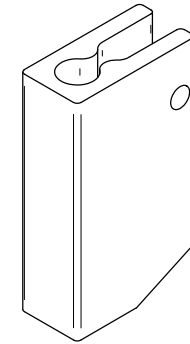
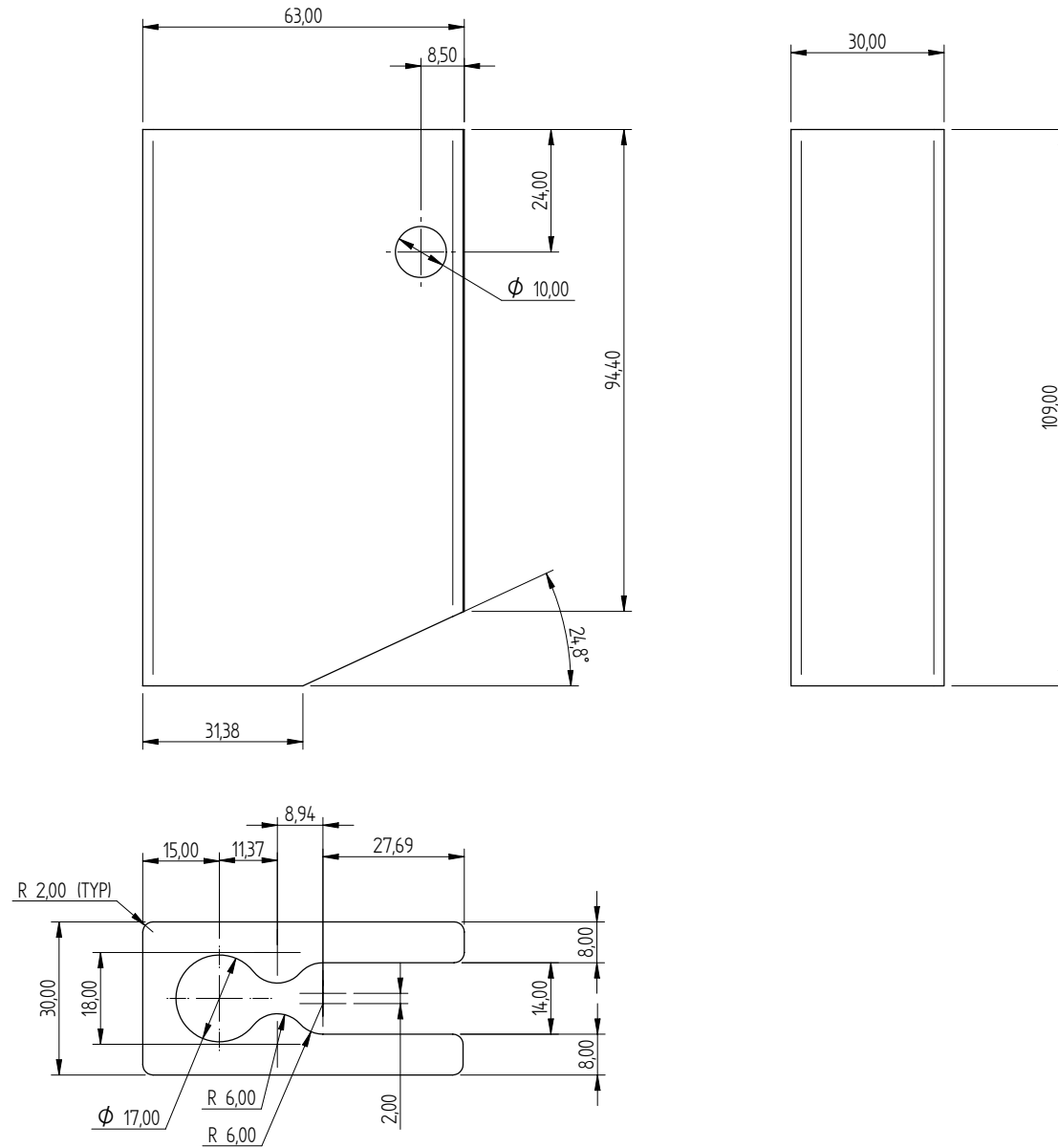


SECTION A-A

Extrusion Weight 1-315 Kg/m

DRAWN	NAME	DATE	HYDROFLOOR	
	Dgn	04/11/08	MANUFACTURING (PTY) LTD	
APPROVED			TITLE	
MATERIAL			BR CLAMP TOP SECTION	
TREATMENT			SIZE	
(UNLESS OTHERWISE SPECIFIED)			A2	RW-24-01-01
DIMENSIONS ARE IN MILLIMETERS			FILE NAME	RW-24-00-00.dft
ANGLES ±0,1°			SCALE	WEIGHT
2 PL ±0,02 3 PL ±0,005			SHEET 3 OF 7	

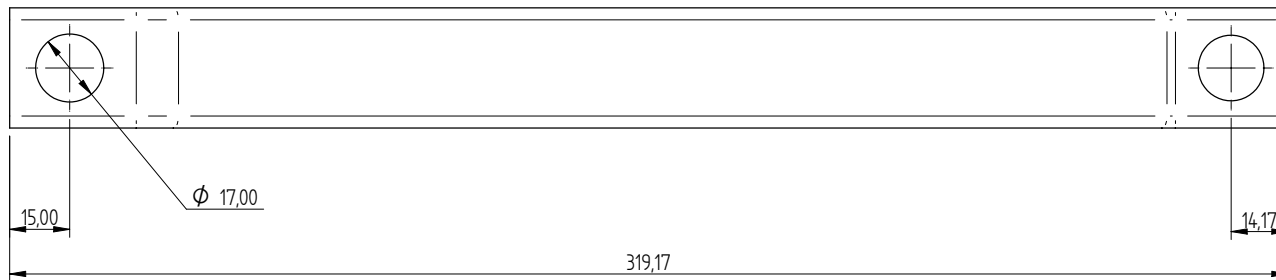
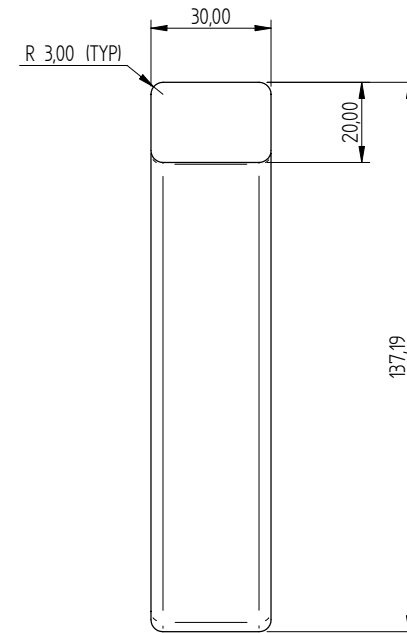
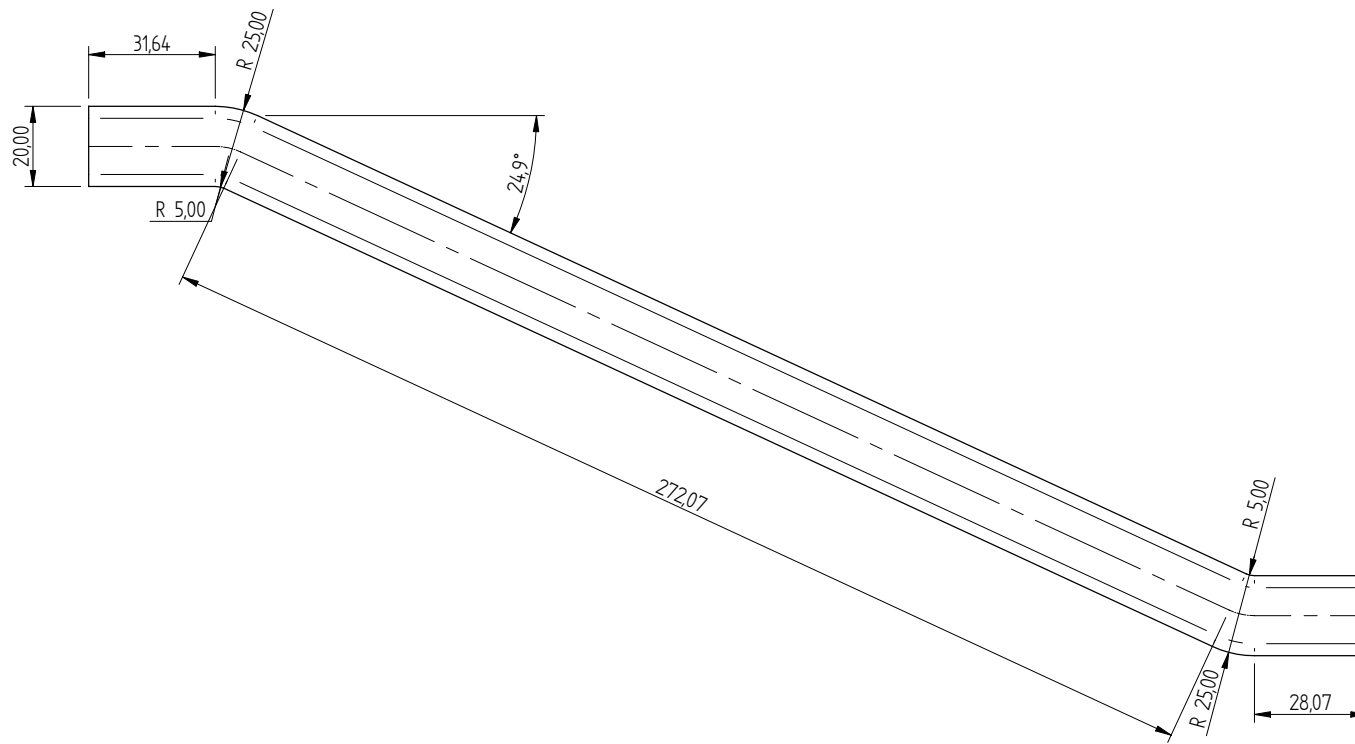
REVISION HISTORY			
REV	DESCRIPTION	DATE	APPROVED



Extrusion Weight 3-155 Kg/m

DRAWN	Edm	DATE	04/11/08	HYDROFLOOR MANUFACTURING (PTY) LTD	
APPROVED				TITLE BR CLAMP MAIN SPACER	
MATERIAL				SIZE	DRWG NO
TREATMENT				A2	RW-24-03-01
UNLESS OTHERWISE SPECIFIED DIMENSIONS ARE IN MILLIMETERS ANGLES $\pm 0,1^\circ$				SCALE	WEIGHT
2 PL $\pm 0,02$ 3 PL $\pm 0,005$					SHEET 4 OF 7

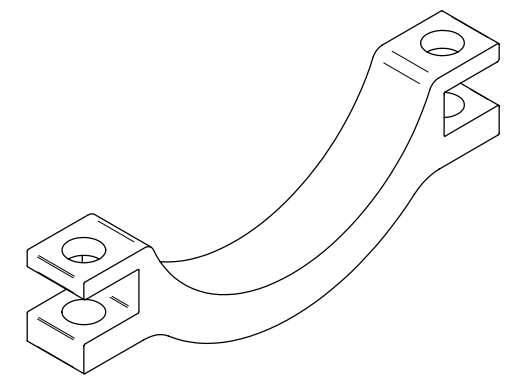
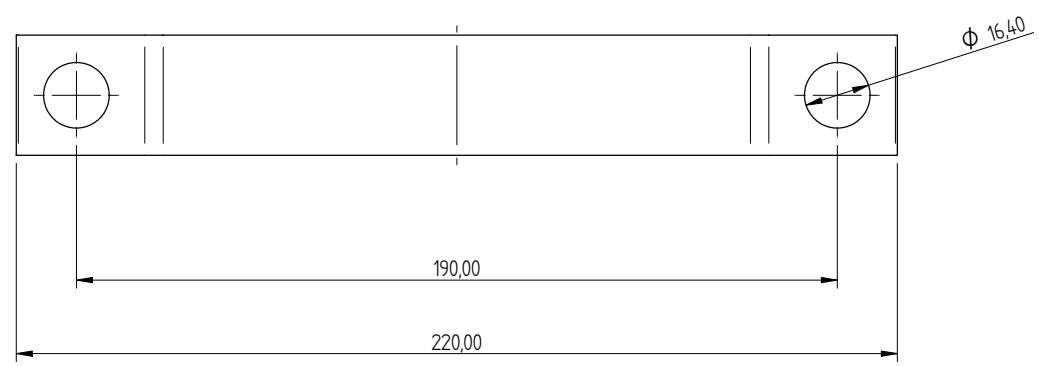
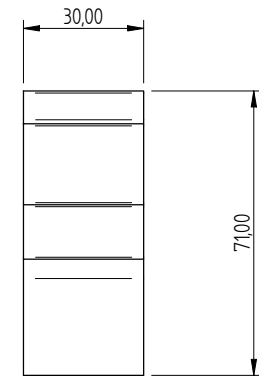
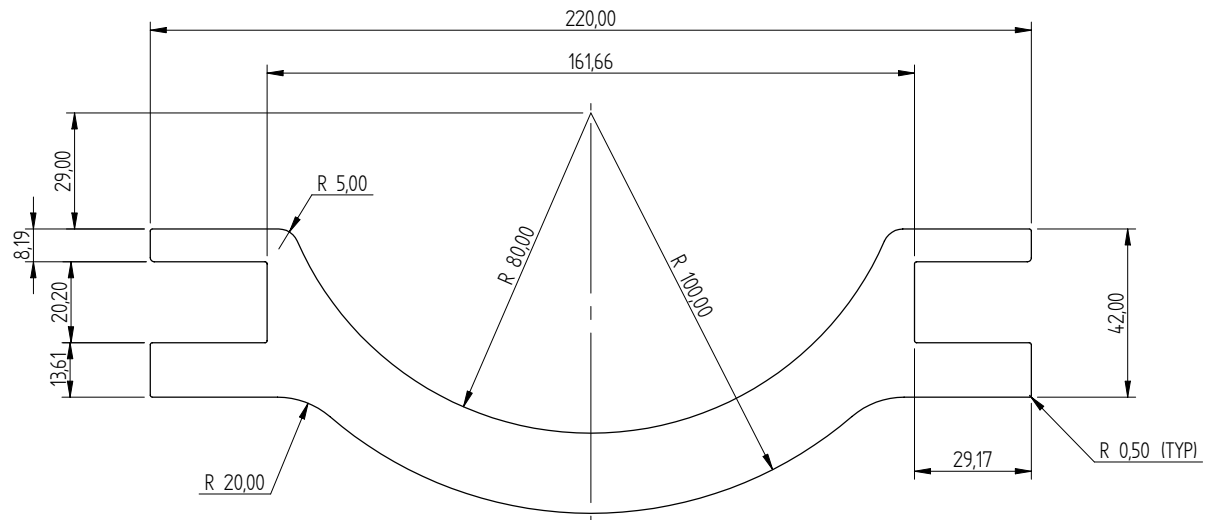
REVISION HISTORY			
REV	DESCRIPTION	DATE	APPROVED



Extrusion Weight 1-606 Kg/m

DRAWN	NAME	DATE	HYDROFLOOR	
APPROVED	Dgn	04/11/08	MANUFACTURING (PTY) LTD	
MATERIAL			TITLE	BR CLAMP LOWER STRAP
TREATMENT			SIZE	RW-24-04-00
UNLESS OTHERWISE SPECIFIED			DRWG NO	REV
DIMENSIONS ARE IN MILLIMETERS			A2	
ANGLES $\pm 0,1^\circ$			FILE NAME	RW-24-00-00.dft
2 PL $\pm 0,02$ 3 PL $\pm 0,005$			SCALE	WEIGHT
			SHEET 5 OF 7	

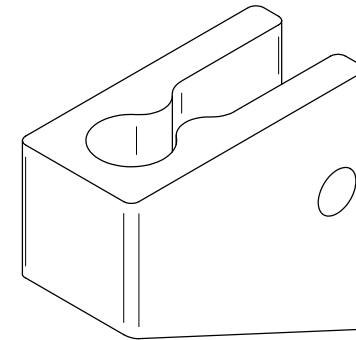
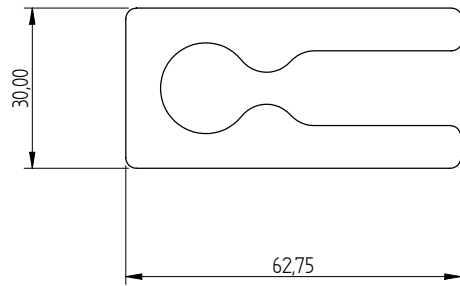
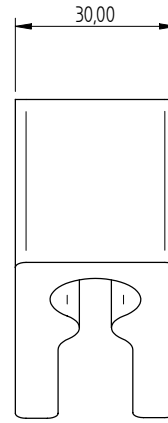
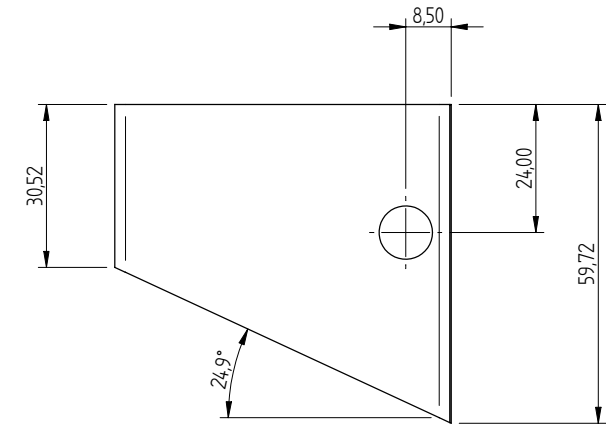
REVISION HISTORY			
REV	DESCRIPTION	DATE	APPROVED



Extrusion Weight 14-76 Kg/m

DRAWN		NAME	DATE	HYDROFLOOR	
APPROVED			04/11/08	MANUFACTURING (PTY) LTD	
MATERIAL				TITLE	
TREATMENT				BR CLAMP LOWER MID STRAP	
UNLESS OTHERWISE SPECIFIED		SCALE	DWG NO	REV	
DIMENSIONS ARE IN MILLIMETERS		A2	RW-24-05-00		
ANGLES ±0.1°		FILE NAME	RW-24-00-00.dft		
2 PL ±0.02 3 PL ±0.005		SCALE	WEIGHT	SHEET 6 OF 7	

REVISION HISTORY			
REV	DESCRIPTION	DATE	APPROVED



DRAWN	NAME	DATE	HYDROFLOOR	
APPROVED	Dgn	04/11/08	MANUFACTURING (PTY) LTD	
MATERIAL			TITLE	BR CLAMP SMALL SPACER
TREATMENT			SIZE	RW-24-06-00
UNLESS OTHERWISE SPECIFIED			DRWG NO	REV
DIMENSIONS ARE IN MILLIMETERS			A2	
ANGLES ±0.1°			FILE NAME	RW-24-00-00.dft
2 PL ±0.02 3 PL ±0.005			SCALE	WEIGHT
			SHEET 7 OF 7	