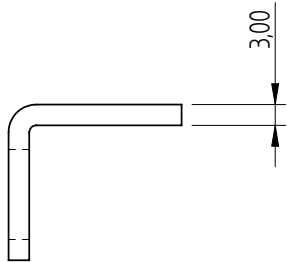
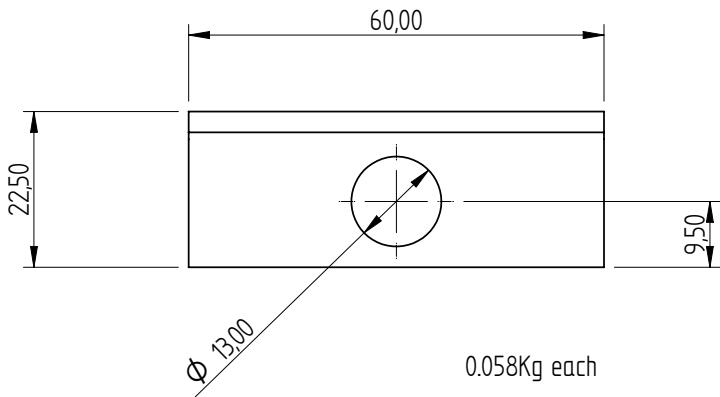
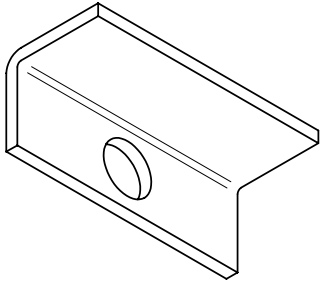


| REVISION HISTORY | | | |
|------------------|-------------|------|----------|
| REV | DESCRIPTION | DATE | APPROVED |
| | | | |



| | | | | |
|---|------|----------|---------------------------------------|-----------------------|
| DRAWN | NAME | DATE | HYDROFLOOR MANUFACTURING (PTY) LTD | |
| APPROVED | Dan | 04/11/08 | TITLE FINGER PLATE | |
| MATERIAL | | | SIZE A2 | DWG NO RW-20-00-01 |
| TREATMENT | | | FILE NAME: RW-20-00-01.dft | REV |
| UNLESS OTHERWISE SPECIFIED DIMENSIONS ARE IN MILLIMETERS ANGLES ±0.1° | | | SCALE: | WEIGHT: |
| 1:10 ASSEF | | | 2 PL ±0.02 | 3 PL ±0.005 |
| | | | SHEET 1 OF 1 | |