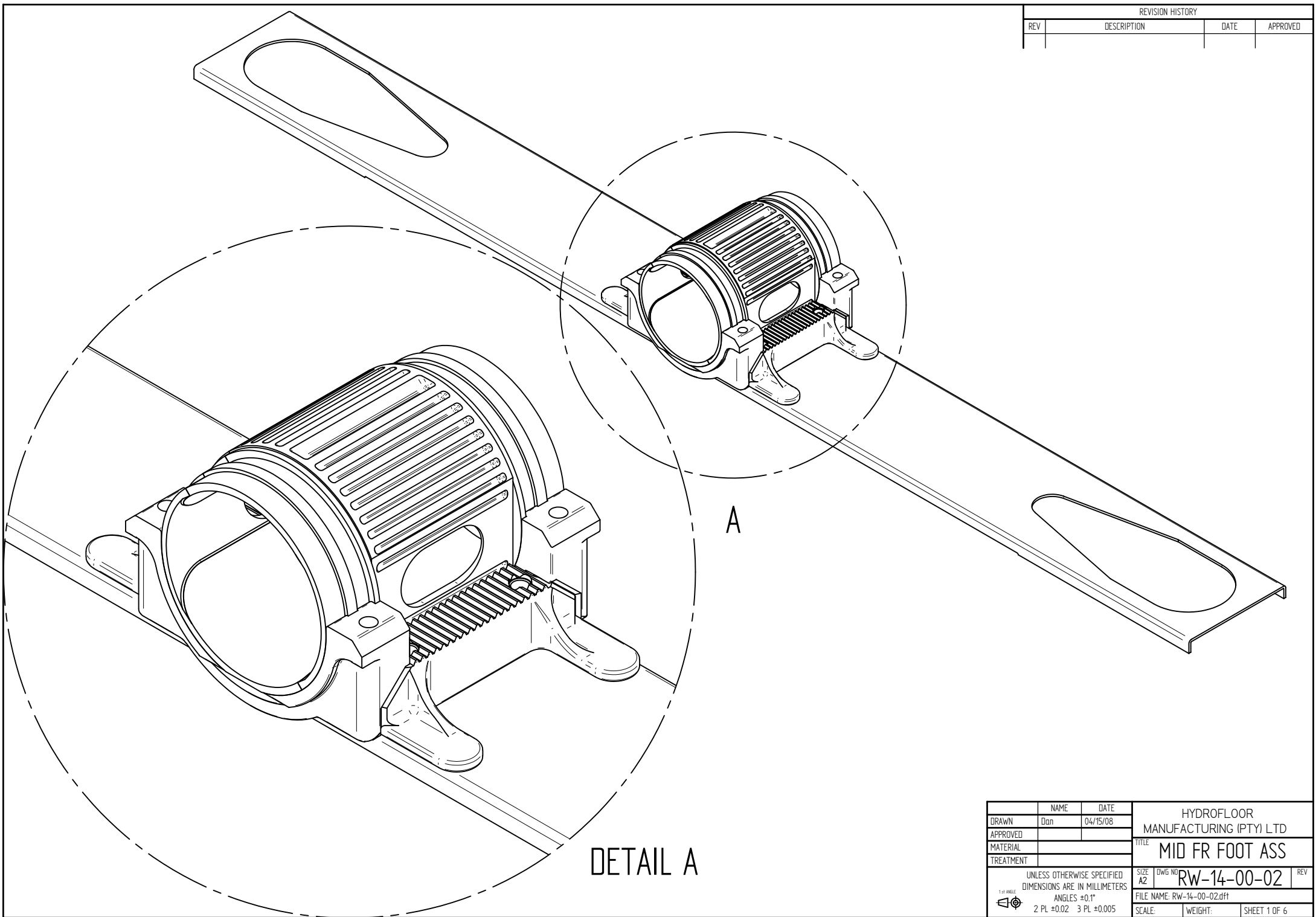


REVISION HISTORY			
REV	DESCRIPTION	DATE	APPROVED



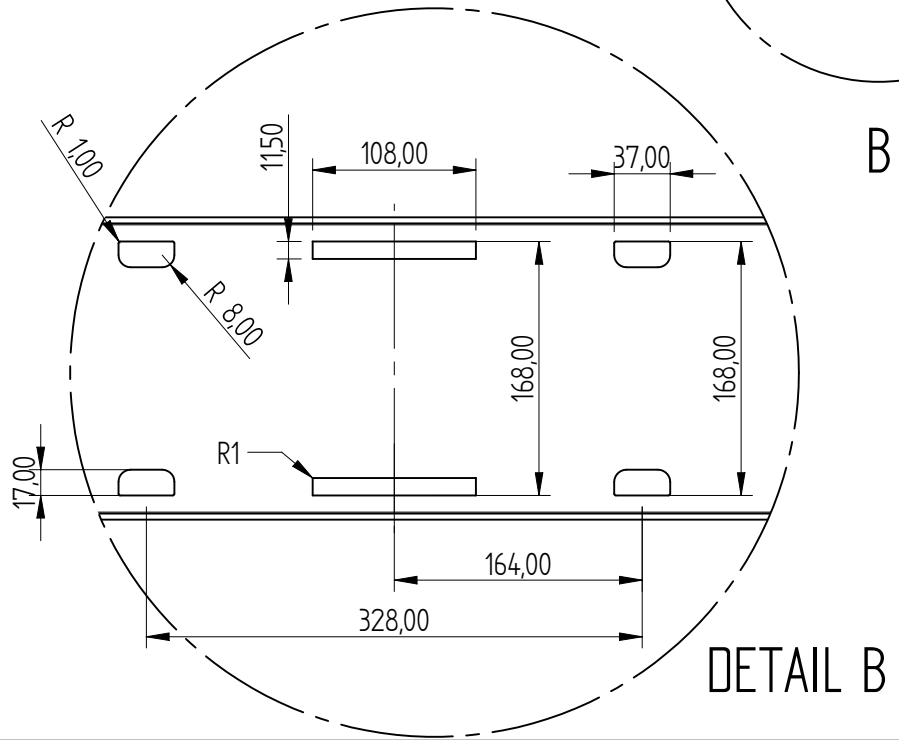
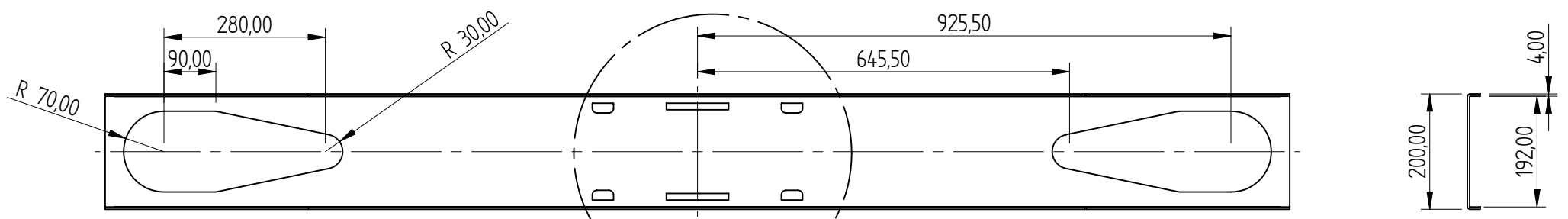
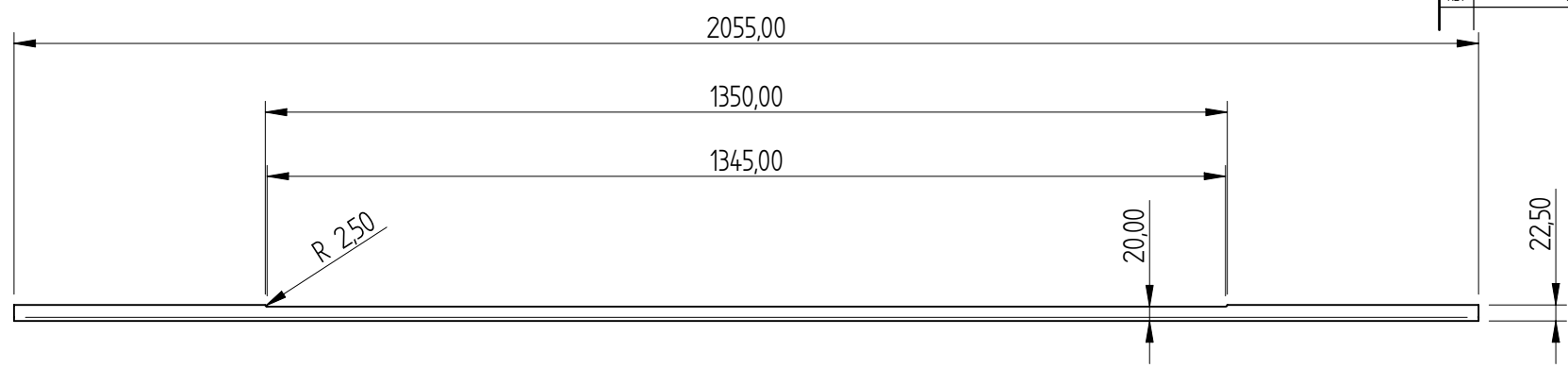
A

DETAIL A

	NAME	DATE	HYDROFLOOR MANUFACTURING (PTY) LTD	
DRAWN	Dan	04/15/08	TITLE MID FR FOOT ASS	
APPROVED			SIZE A2	DWG NO RW-14-00-02
MATERIAL			FILE NAME: RW-14-00-02.dft	REV
TREATMENT			SCALE:	WEIGHT:
UNLESS OTHERWISE SPECIFIED DIMENSIONS ARE IN MILLIMETERS ANGLES ±0.1°			SHEET 1 OF 6	
1:1 SCALE 2 PL ±0.02 3 PL ±0.005				

REVISION HISTORY

REV	DESCRIPTION	DATE	APPROVED

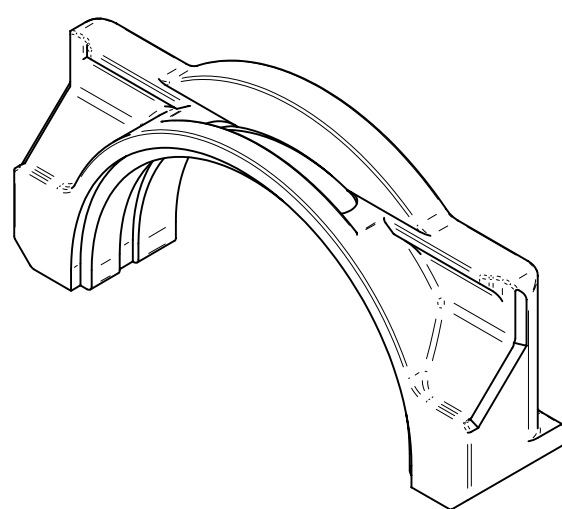
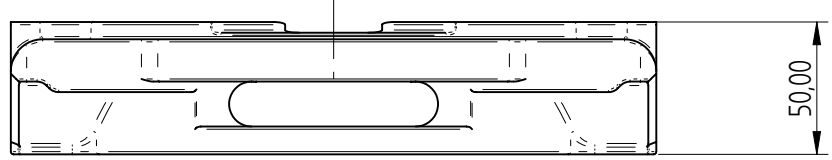
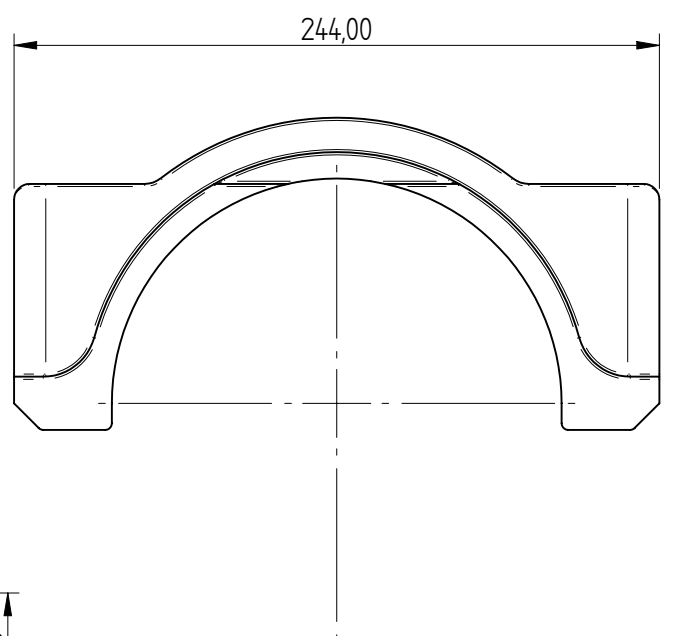
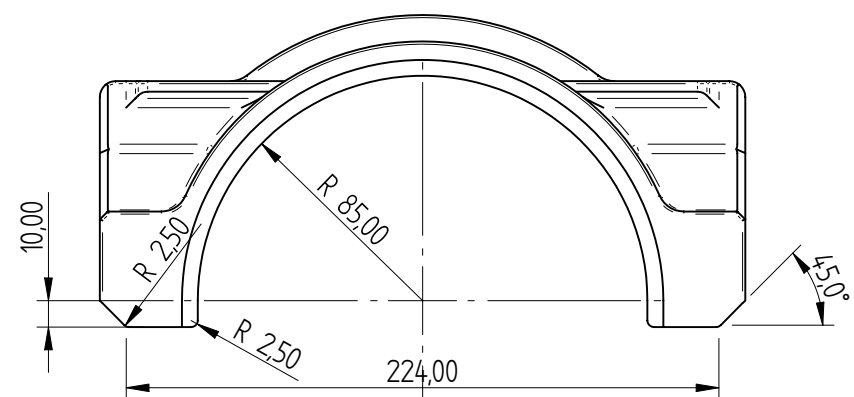
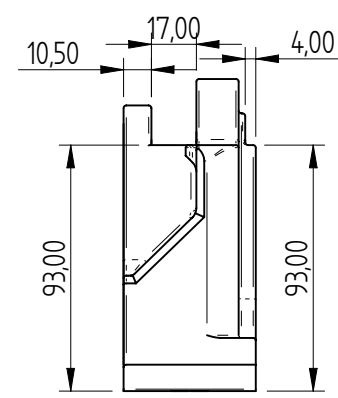
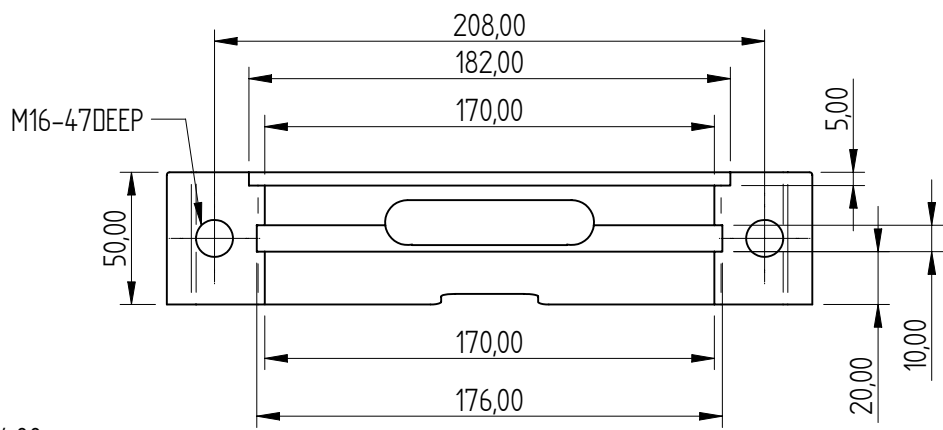


B

DETAIL B

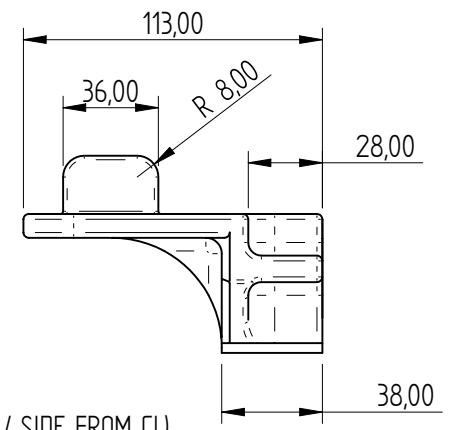
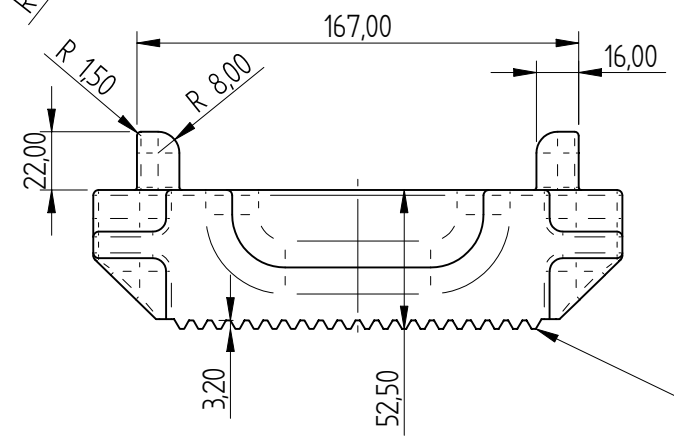
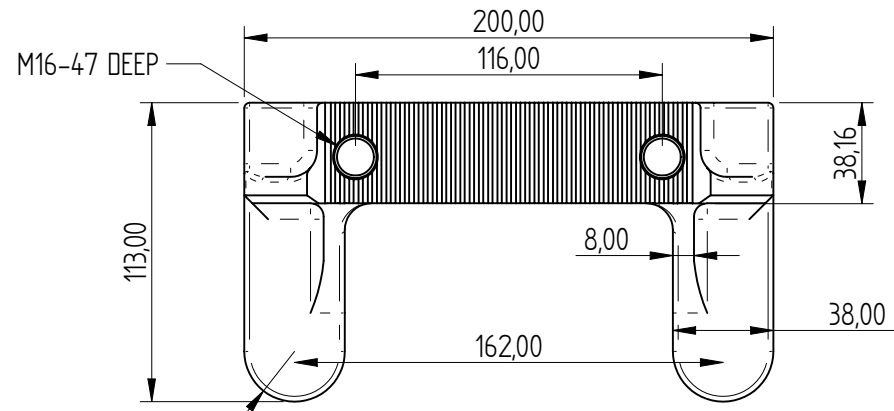
	NAME	DATE	HYDROFLOOR MANUFACTURING (PTY) LTD	
DRAWN	Dan	04/15/08	TITLE MID LOWER FR FOOT	
APPROVED			SIZE A2	DWG NO RW-14-03-02
MATERIAL			FILE NAME: RW-14-00-02.dft	REV
TREATMENT			SCALE:	WEIGHT:
UNLESS OTHERWISE SPECIFIED DIMENSIONS ARE IN MILLIMETERS ANGLES ±0,1°			2 PL ±0,02	3 PL ±0,005
1:1 SCALE			SHEET 2 OF 6	

REVISION HISTORY			
REV	DESCRIPTION	DATE	APPROVED

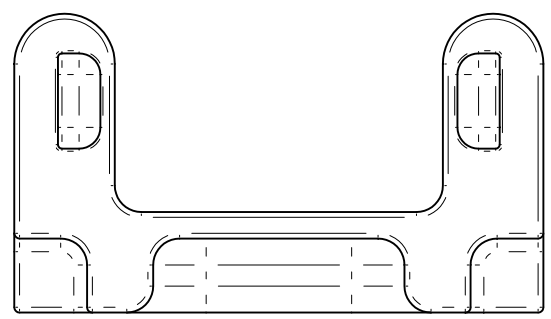
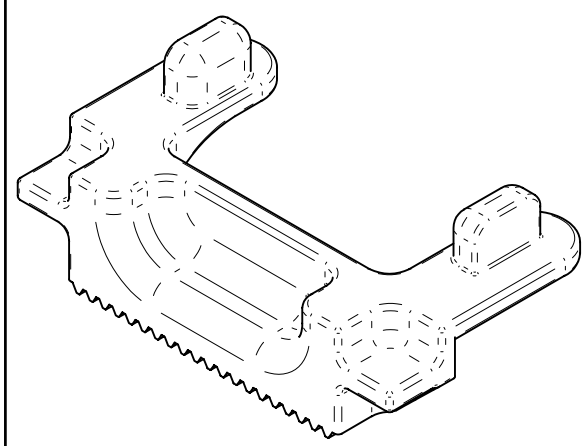
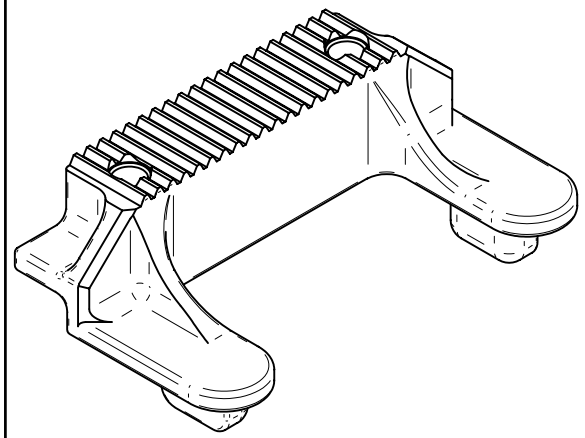


DRAWN	NAME	DATE	HYDROFLOOR MANUFACTURING (PTY) LTD	
APPROVED	Dan	04/15/08	TITLE	
MATERIAL			MID SPLIT RING	
TREATMENT			SIZE	DWG NO
UNLESS OTHERWISE SPECIFIED DIMENSIONS ARE IN MILLIMETERS ANGLES ±0,1°			A2	RW-14-01-01
			FILE NAME: RW-14-00-02.dft	REV
2 PL ±0.02 3 PL ±0.005			SCALE:	WEIGHT:
			SHEET 3 OF 6	

REVISION HISTORY			
REV	DESCRIPTION	DATE	APPROVED

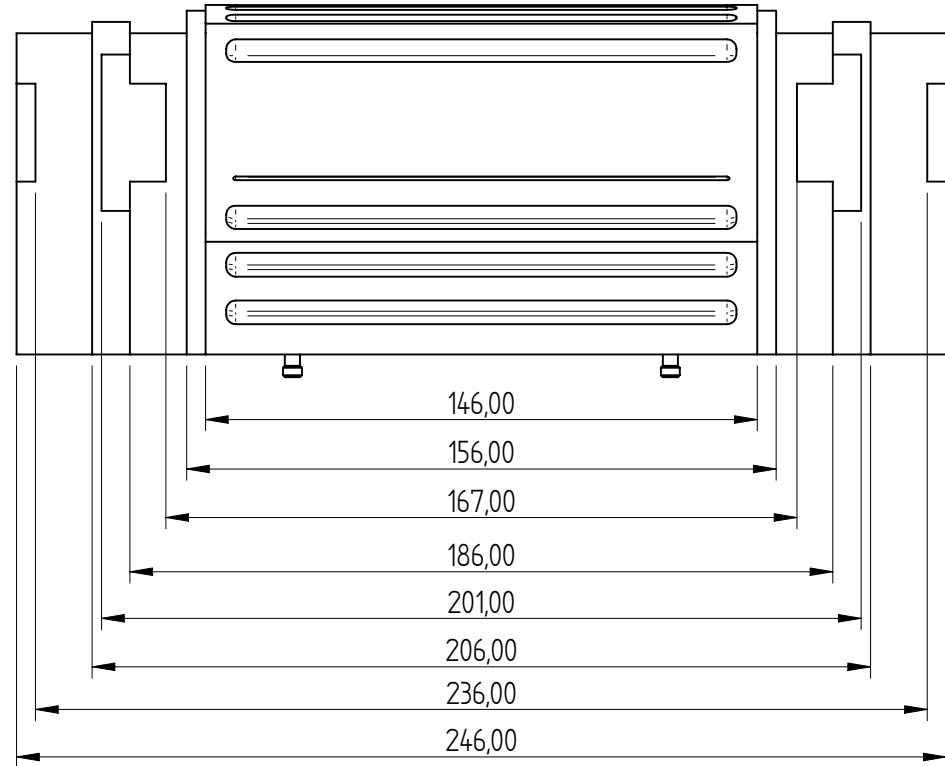
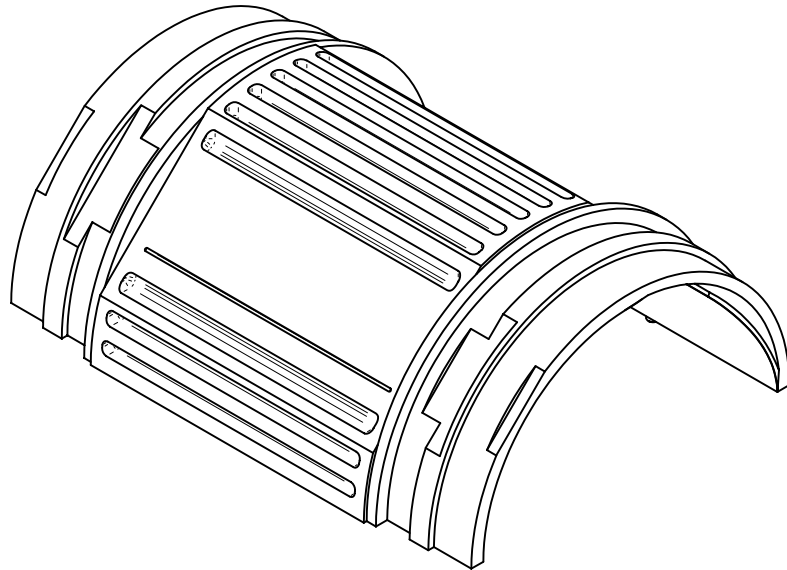
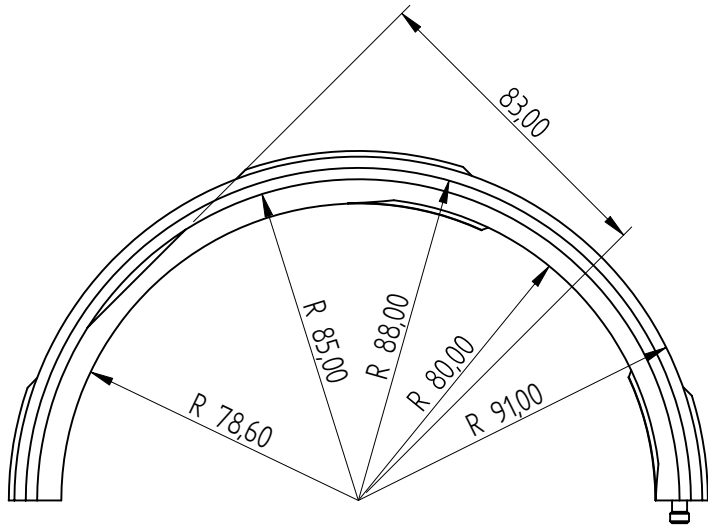


20 TEETH (10 / SIDE FROM CL)
 60° STUB TOOTH PROFILE
 PITCH = 7mm
 ADDENDUM = 1,5mm
 DEDENDUM = 1,7mm



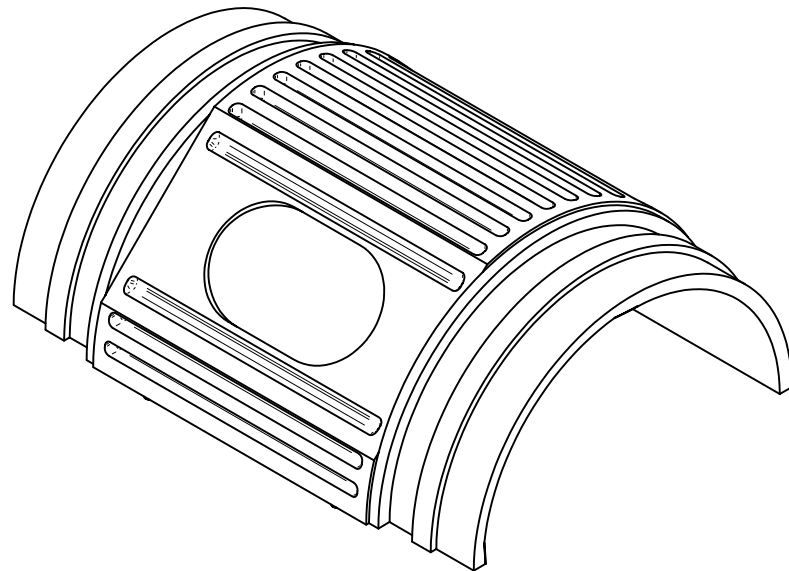
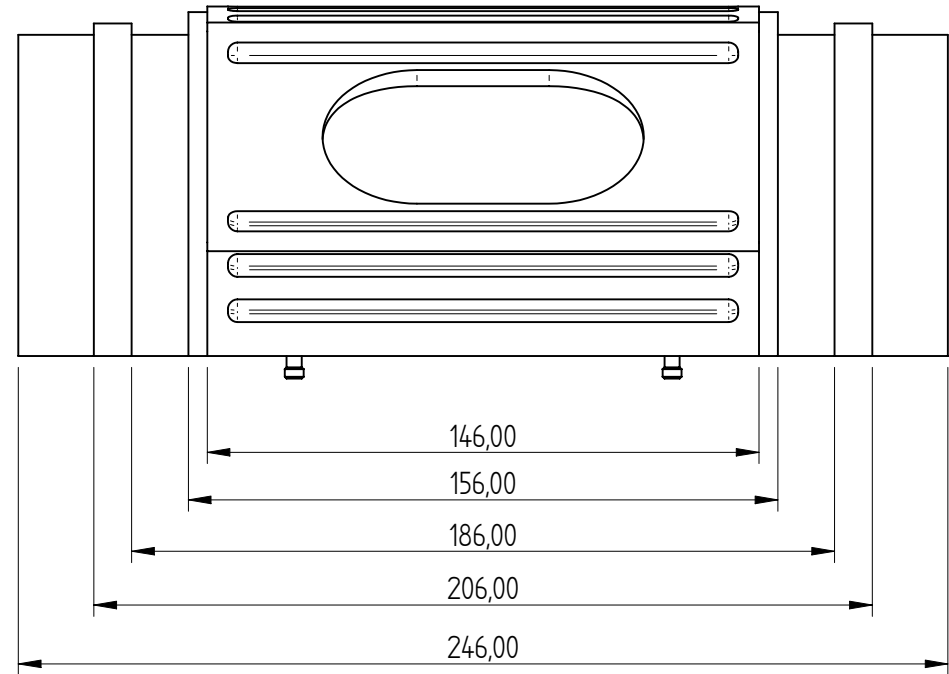
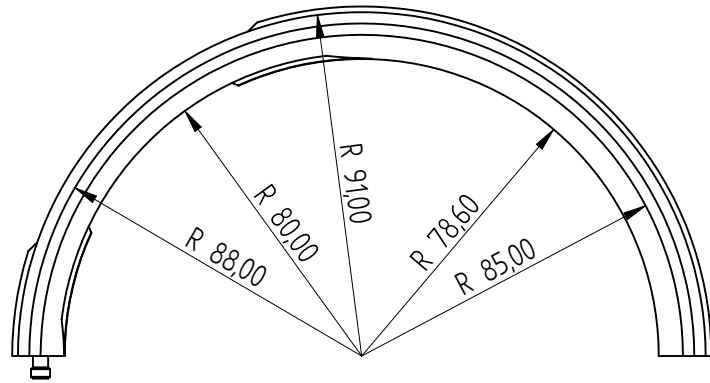
DRAWN	NAME	DATE	HYDROFLOOR MANUFACTURING (PTY) LTD	
APPROVED	Dan	04/15/08	TITLE	
MATERIAL			UPPER MID WING BLOCK	
TREATMENT			SIZE	DWG NO
UNLESS OTHERWISE SPECIFIED DIMENSIONS ARE IN MILLIMETERS ANGLES ±0,1°			A2	RW-14-06-02
			FILE NAME: RW-14-00-02.dft	
1:1 SCALE 2 PL ±0,02 3 PL ±0,005			SCALE:	WEIGHT:
			SHEET 4 OF 6	

REVISION HISTORY			
REV	DESCRIPTION	DATE	APPROVED



	NAME	DATE	HYDROFLOOR MANUFACTURING (PTY) LTD	
DRAWN	Dan	04/15/08	TITLE MID UPPER EXT BUSH	
APPROVED			SIZE A2	DWG NO RW-08-01-01
MATERIAL			FILE NAME: RW-14-00-02.dft	REV
TREATMENT			SCALE:	WEIGHT:
UNLESS OTHERWISE SPECIFIED DIMENSIONS ARE IN MILLIMETERS ANGLES ±0,1°			2 PL ±0,02	3 PL ±0,005
			SHEET 5 OF 6	

REVISION HISTORY			
REV	DESCRIPTION	DATE	APPROVED



	NAME	DATE	HYDROFLOOR	
DRAWN	Dan	04/15/08	MANUFACTURING (PTY) LTD	
APPROVED			TITLE	
MATERIAL			MID LOWER EXT BUSH	
TREATMENT			SIZE	DWG NO
			A2	RW-08-02-01
			FILE NAME:	RW-14-00-02.dft
			SCALE:	WEIGHT:
				SHEET 6 OF 6

UNLESS OTHERWISE SPECIFIED
DIMENSIONS ARE IN MILLIMETERS
ANGLES ±0.1°
2 PL ±0.02 3 PL ±0.005