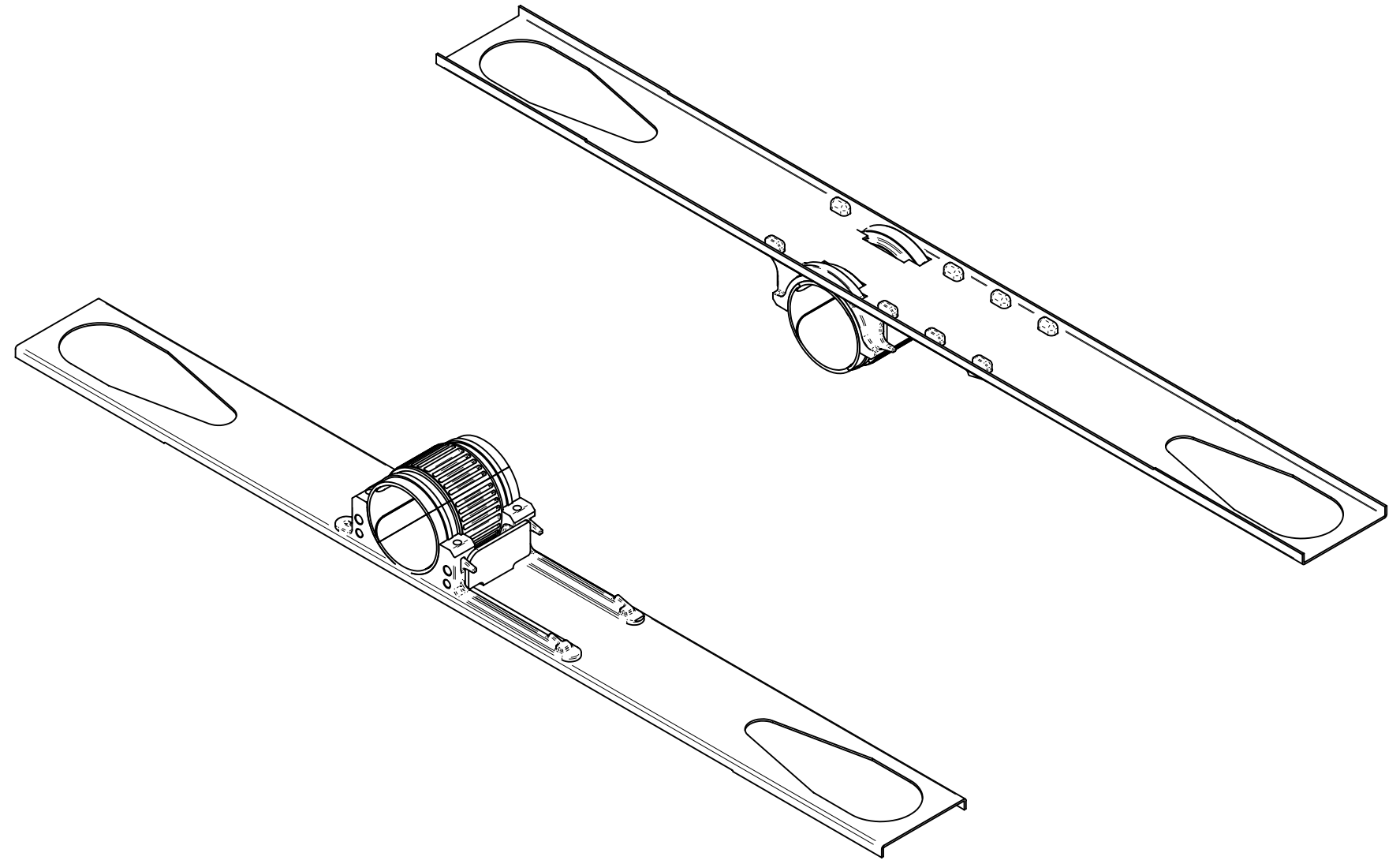

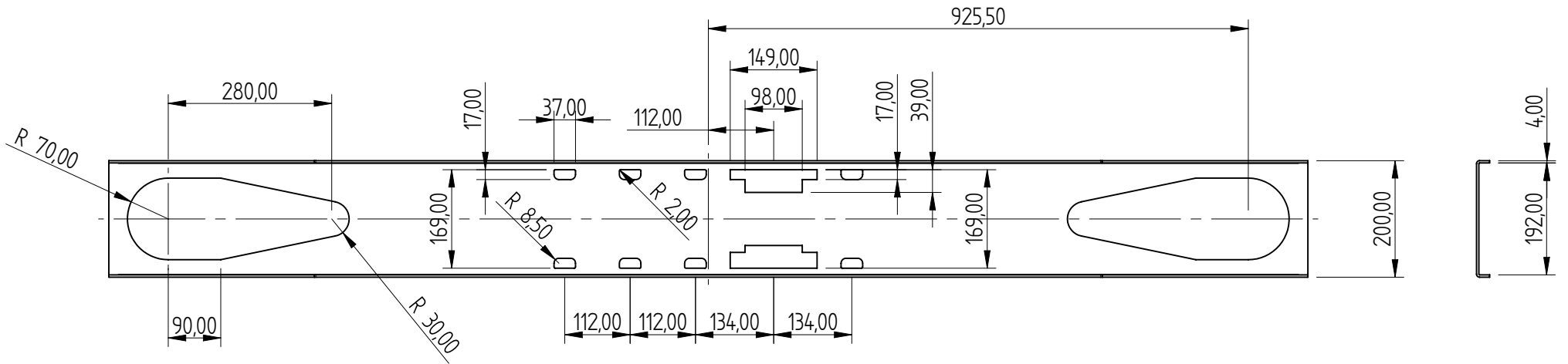
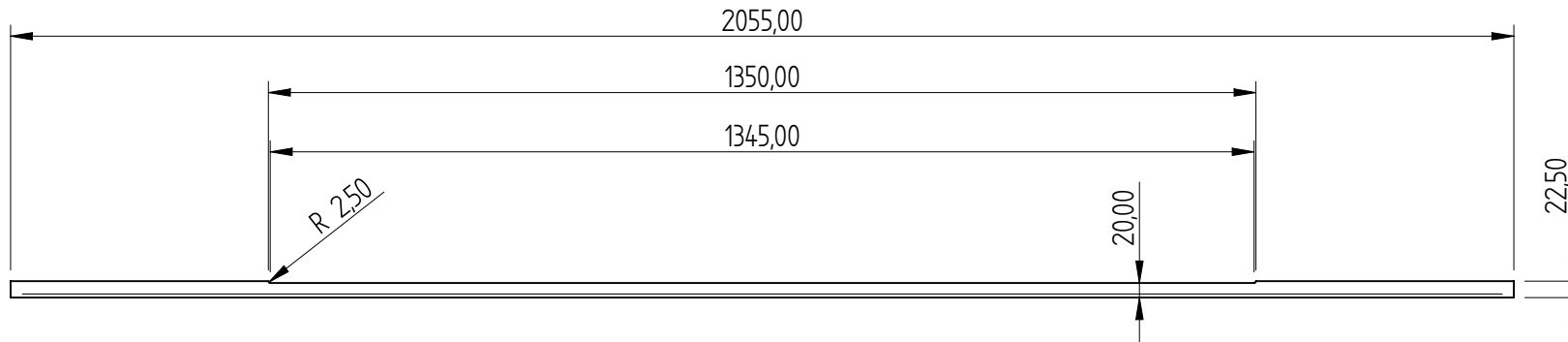


REVISION HISTORY			
REV	DESCRIPTION	DATE	APPROVED



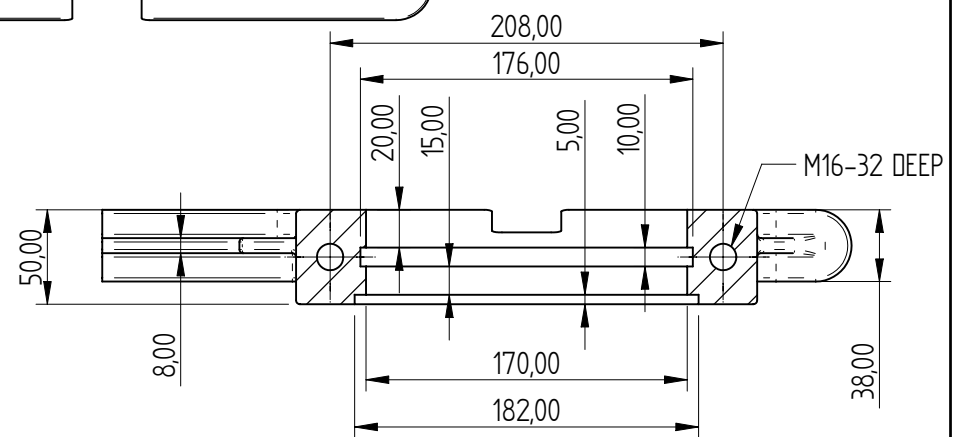
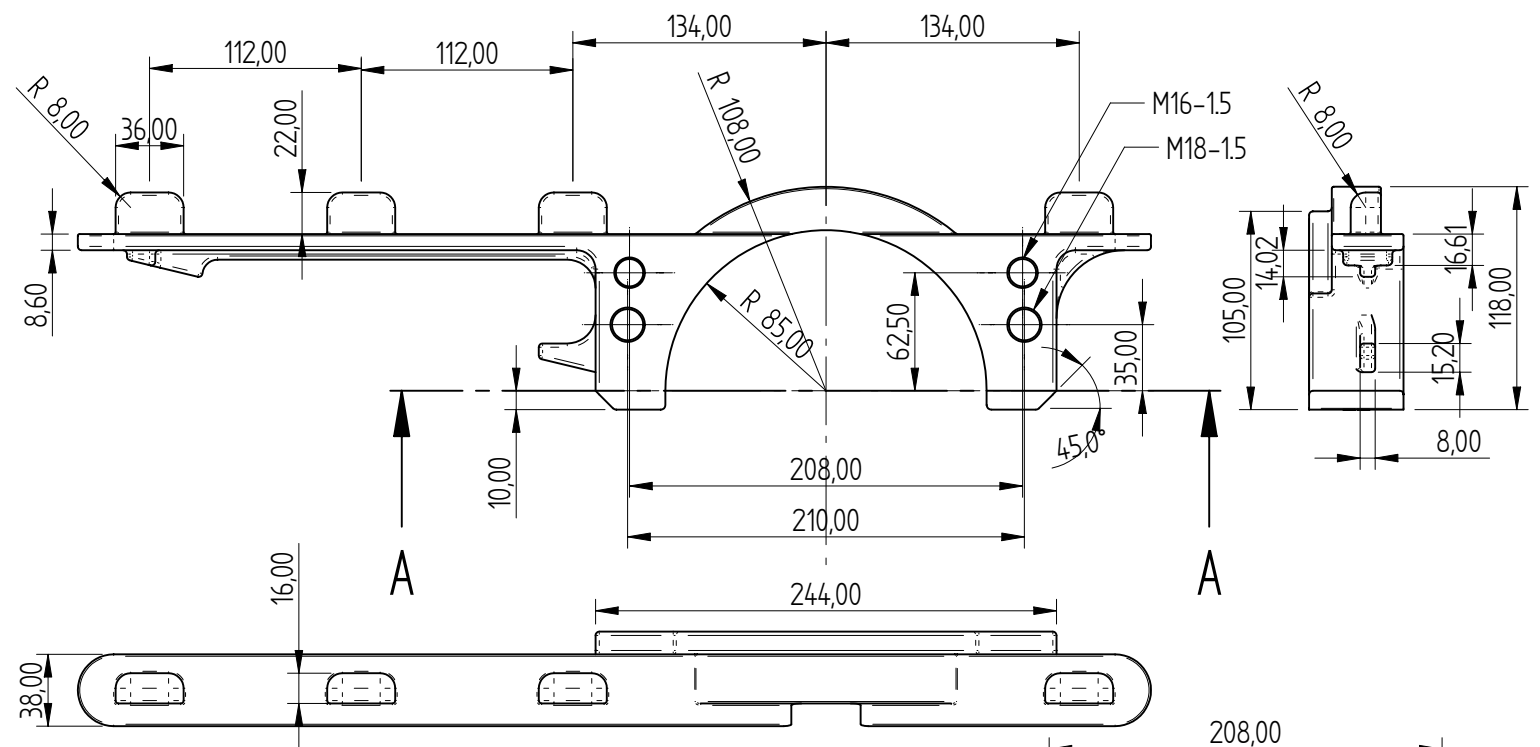
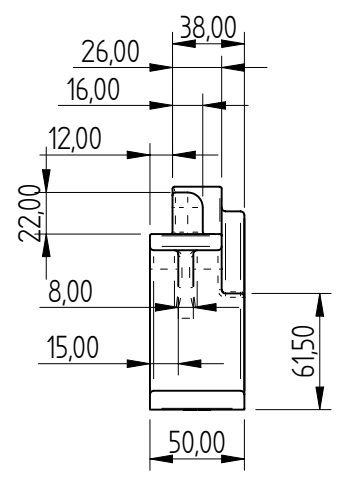
	NAME	DATE	HYDROFLOOR MANUFACTURING (PTY) LTD	
DRAWN	Dan	04/16/08	TITLE	
APPROVED				
MATERIAL				
TREATMENT				
UNLESS OTHERWISE SPECIFIED DIMENSIONS ARE IN MILLIMETERS ANGLES ±0.1°			SIZE A2	DWG NO
			FILE NAME: RW-13-00-01.dft	REV
2 PL ±0.02 3 PL ±0.005			SCALE:	WEIGHT:
			SHEET 1 OF 7	

REVISION HISTORY			
REV	DESCRIPTION	DATE	APPROVED

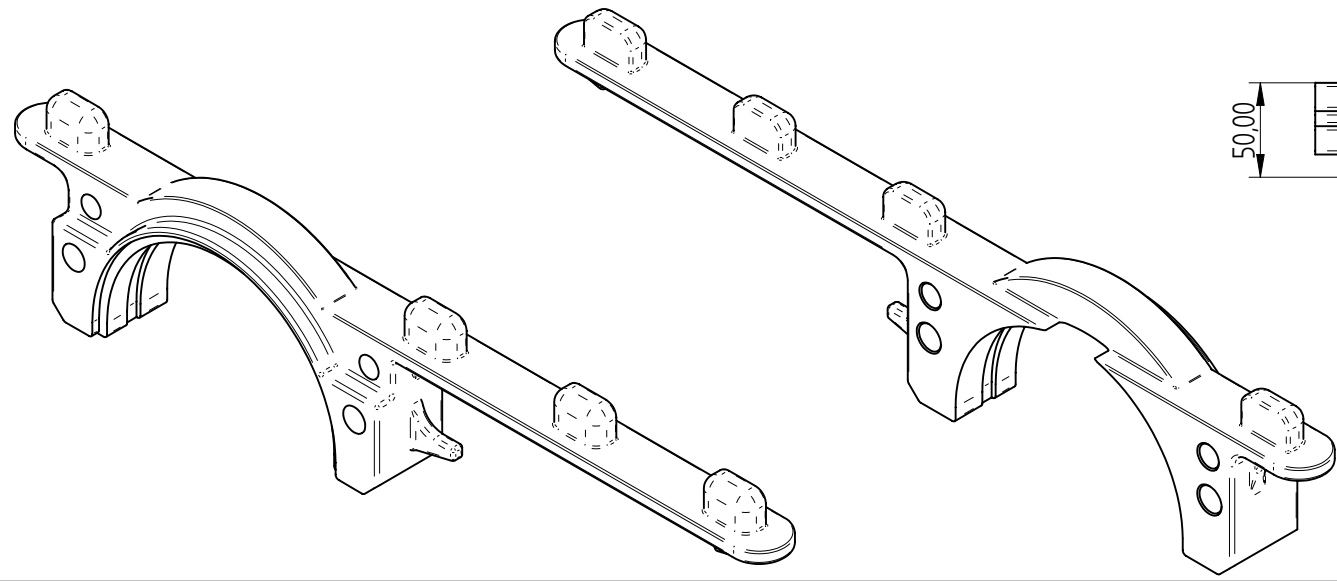


	NAME	DATE	HYDROFLOOR MANUFACTURING (PTY) LTD	
DRAWN	Dan	04/16/08	TITLE LOWER FR FOOT 1/3	
APPROVED			SIZE A2	DWG NO RW-13-03-06
MATERIAL			FILE NAME: RW-13-00-01.dft	REV
TREATMENT			SCALE:	WEIGHT:
UNLESS OTHERWISE SPECIFIED DIMENSIONS ARE IN MILLIMETERS ANGLES ±0,1°			2 PL ±0,02	3 PL ±0,005
			SHEET 2 OF 7	

REVISION HISTORY			
REV	DESCRIPTION	DATE	APPROVED

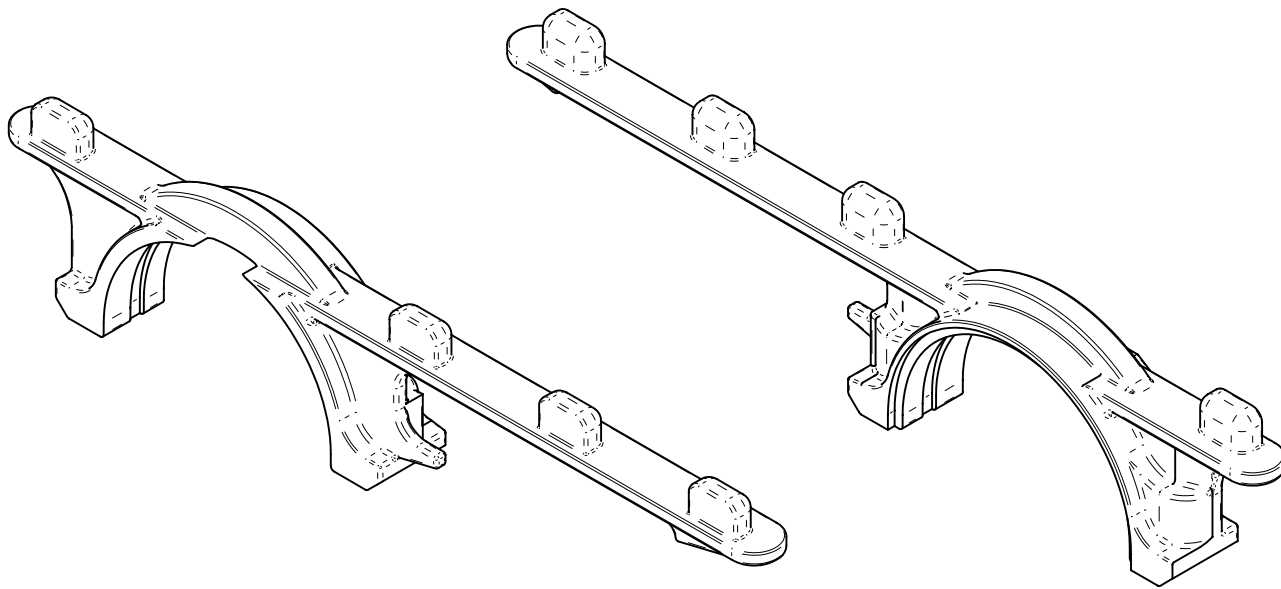
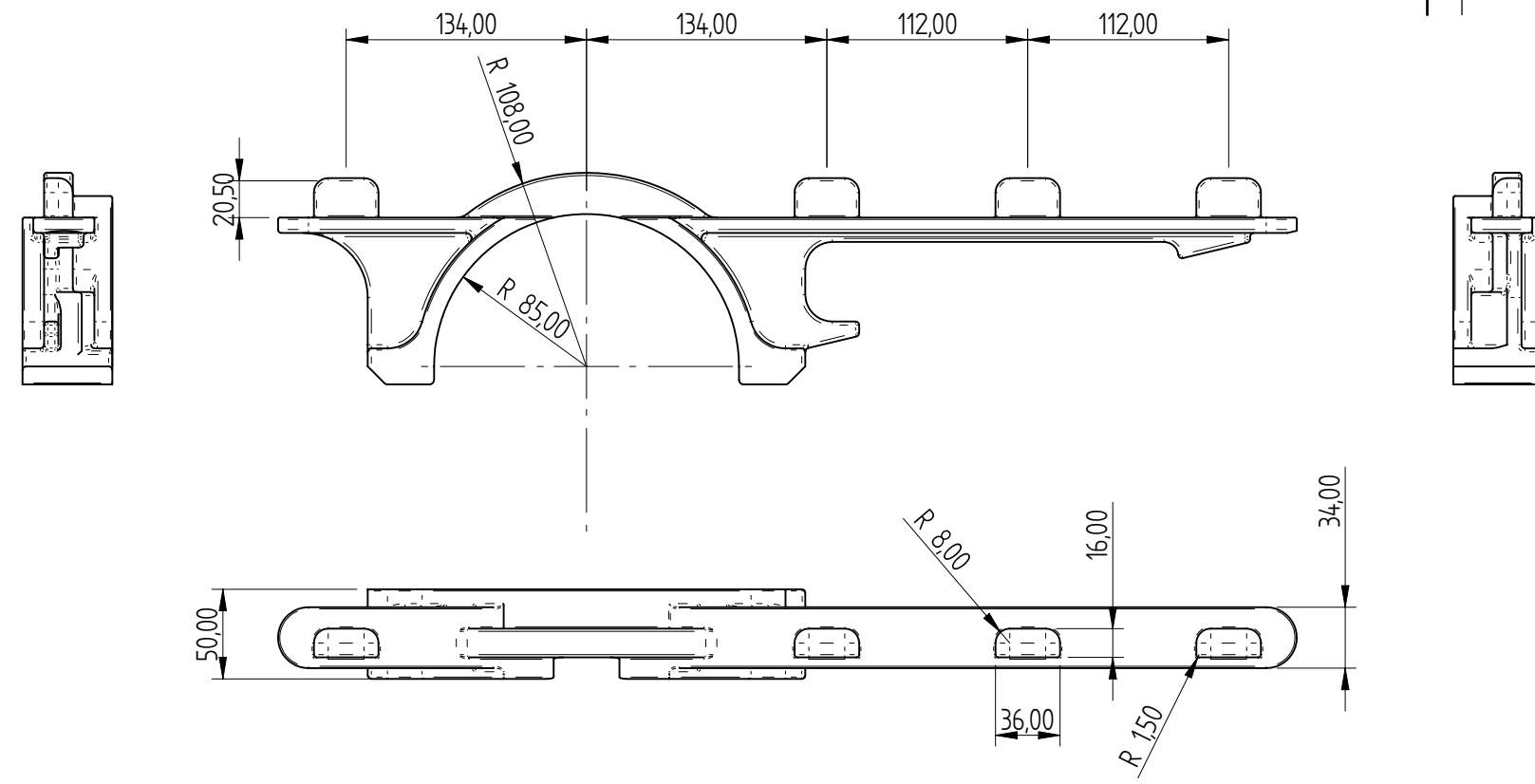


SECTION A-A



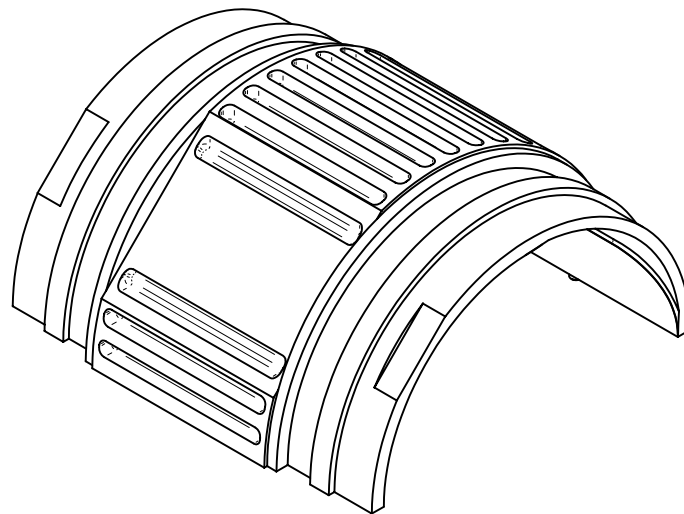
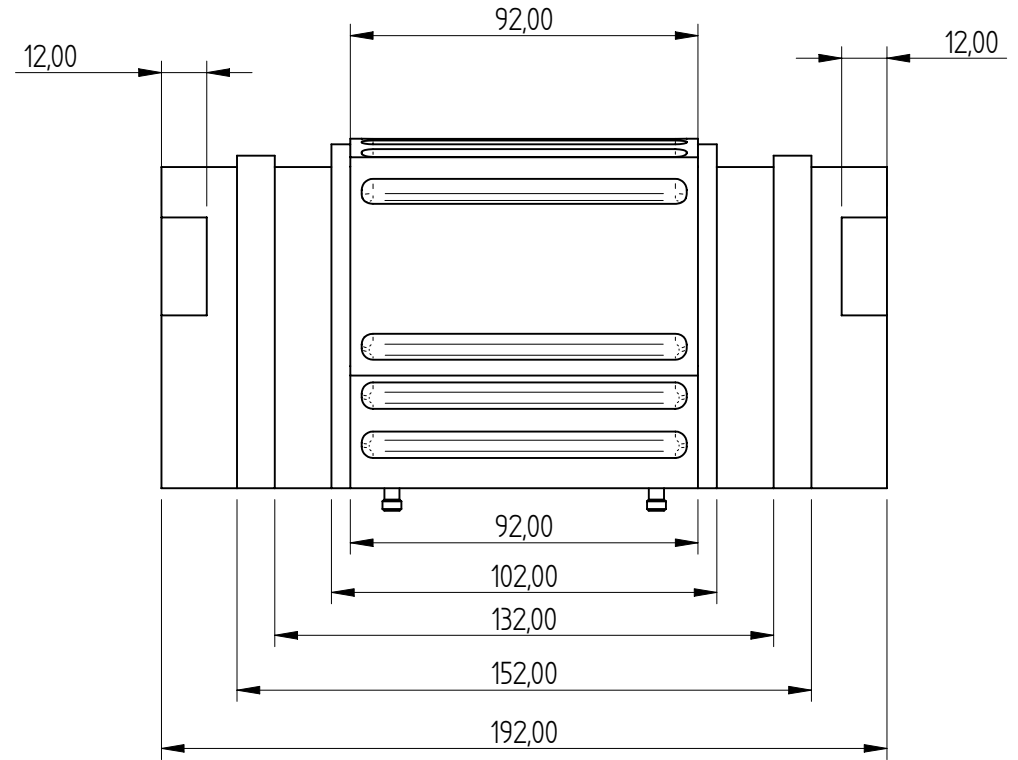
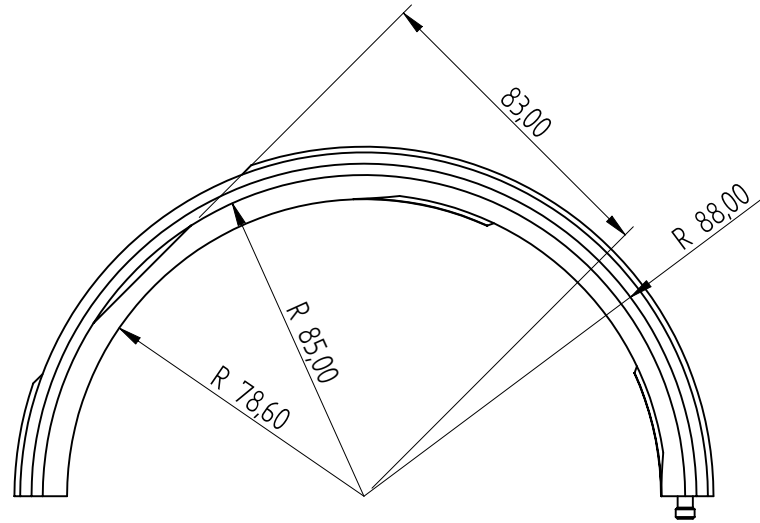
DRAWN	NAME	DATE	HYDROFLOOR MANUFACTURING (PTY) LTD	
APPROVED	Dan	04/16/08	TITLE	
MATERIAL			OUTER SPLIT RING	
TREATMENT			SIZE	DWG NO
UNLESS OTHERWISE SPECIFIED DIMENSIONS ARE IN MILLIMETERS ANGLES ±0.1°			A2	RW-13-02-06
			FILE NAME: RW-13-00-01.dft	REV
2 PL ±0.02 3 PL ±0.005			SCALE:	WEIGHT:
			SHEET 3 OF 7	

REVISION HISTORY			
REV	DESCRIPTION	DATE	APPROVED



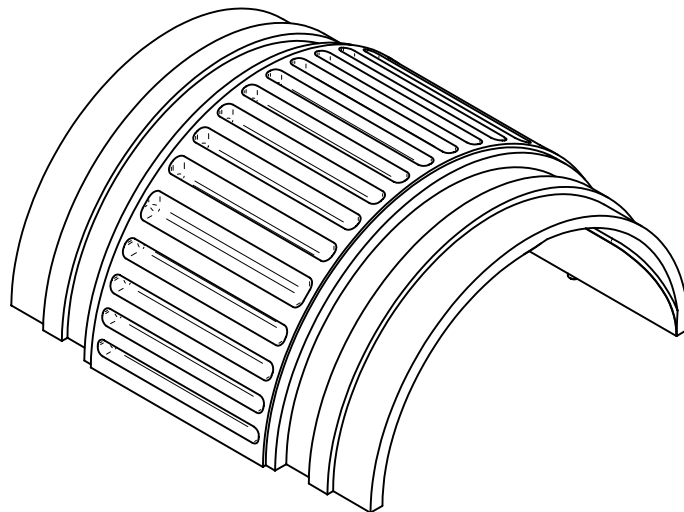
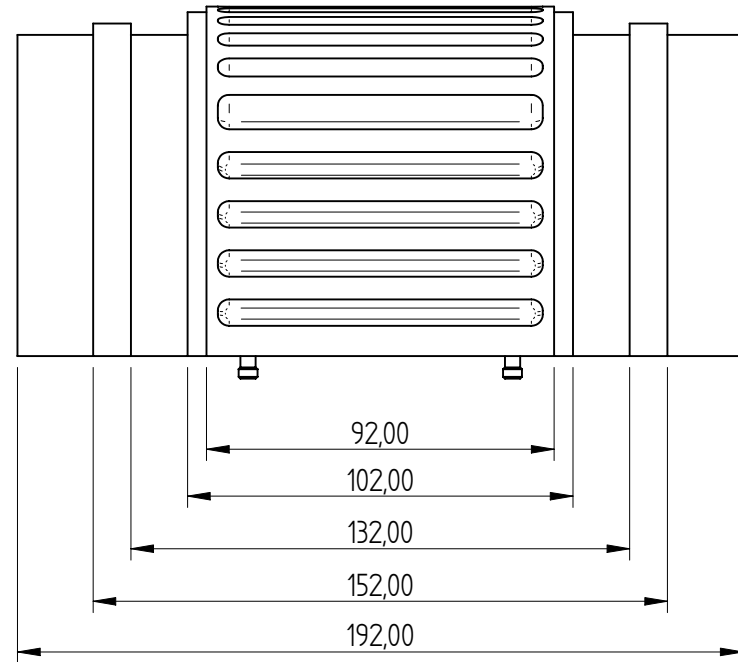
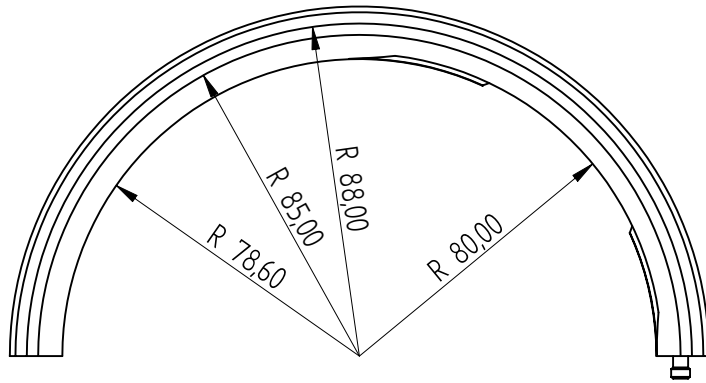
DRAWN	NAME	DATE	HYDROFLOOR MANUFACTURING (PTY) LTD	
APPROVED	Dan	04/16/08	TITLE	
MATERIAL			INNER SPLET RING	
TREATMENT			SIZE	DWG NO
UNLESS OTHERWISE SPECIFIED DIMENSIONS ARE IN MILLIMETERS ANGLES ±0.1°			A2	RW-13-01-06
			FILE NAME: RW-13-00-01.dft	REV
1:1 SCALE 2 PL ±0.02 3 PL ±0.005			SCALE:	WEIGHT:
			SHEET 4 OF 7	

REVISION HISTORY			
REV	DESCRIPTION	DATE	APPROVED



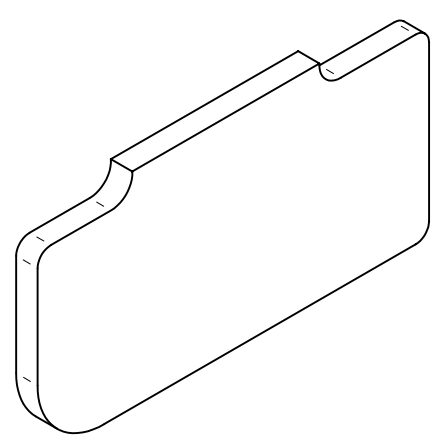
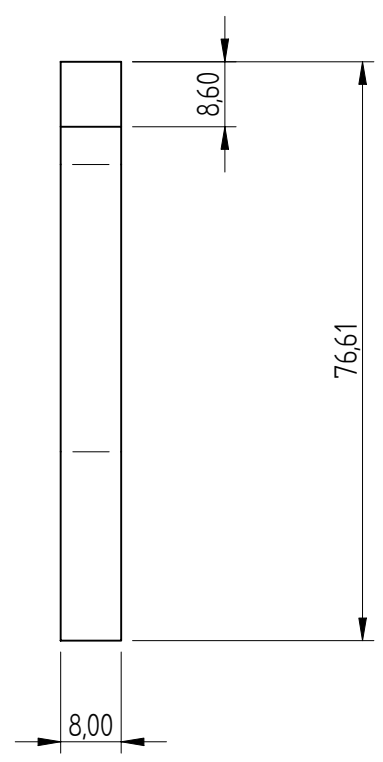
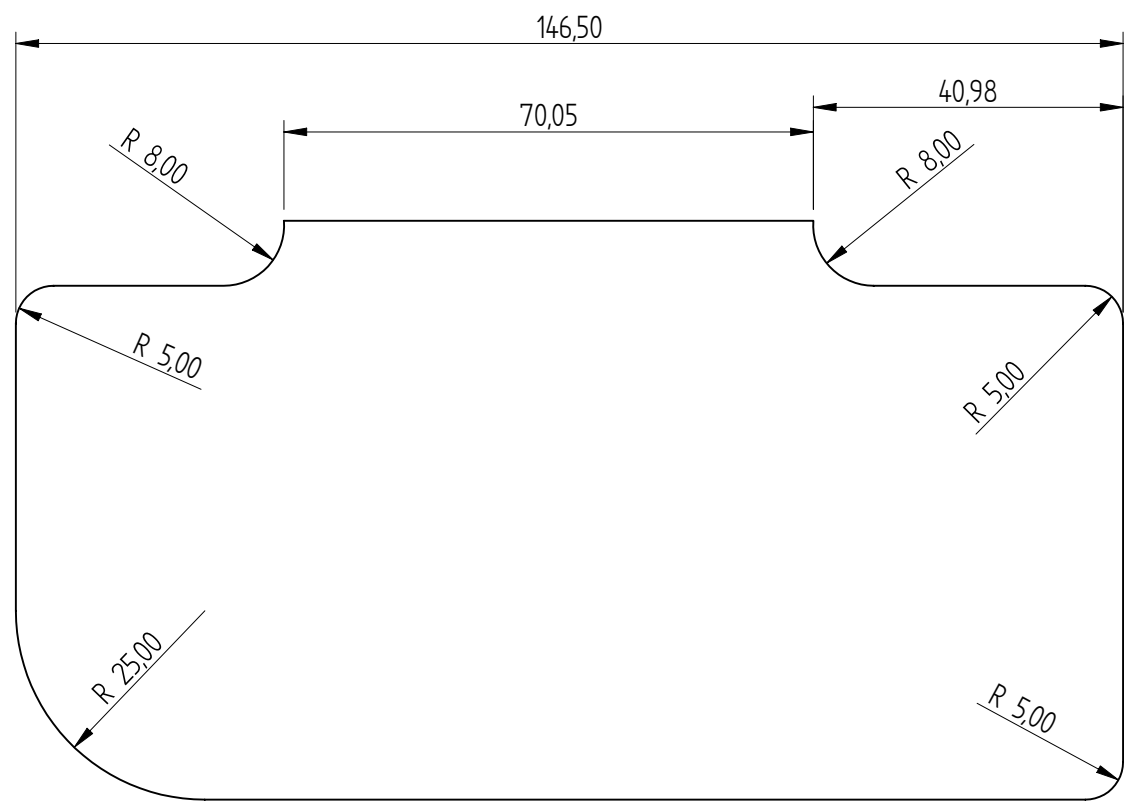
	NAME	DATE	HYDROFLOOR MANUFACTURING (PTY) LTD	
DRAWN	Dan	04/16/08	TITLE	
APPROVED			OUTER END SLEEVE TOP	
MATERIAL			SIZE	DWG NO
TREATMENT			A2	RW-09-01-01
UNLESS OTHERWISE SPECIFIED DIMENSIONS ARE IN MILLIMETERS ANGLES ±0,1°			FILE NAME:	REV
2 PL ±0,02 3 PL ±0,005			RW-13-00-01.dft	
SCALE:		WEIGHT:	SHEET 5 OF 7	

REVISION HISTORY			
REV	DESCRIPTION	DATE	APPROVED



	NAME	DATE	HYDROFLOOR MANUFACTURING (PTY) LTD	
DRAWN	Dan	04/16/08	TITLE	
APPROVED			OUTER END SLV LOWER	
MATERIAL			SIZE	DWG NO
TREATMENT			A2	RW-09-02-00
UNLESS OTHERWISE SPECIFIED DIMENSIONS ARE IN MILLIMETERS ANGLES ±0,1°			FILE NAME:	REV
2 PL ±0,02 3 PL ±0,005			RW-13-00-01.dft	
SCALE:			WEIGHT:	SHEET 6 OF 7

REVISION HISTORY			
REV	DESCRIPTION	DATE	APPROVED



	NAME	DATE	HYDROFLOOR MANUFACTURING (PTY) LTD	
DRAWN	Dan	04/16/08	TITLE FR FOOT GUSSET	
APPROVED			SIZE A2	DWG NO RW-13-04-06
MATERIAL			FILE NAME: RW-13-00-01.dft	REV
TREATMENT			SCALE:	WEIGHT:
UNLESS OTHERWISE SPECIFIED DIMENSIONS ARE IN MILLIMETERS ANGLES ±0,1°			2 PL ±0,02	3 PL ±0,005
			SHEET 7 OF 7	