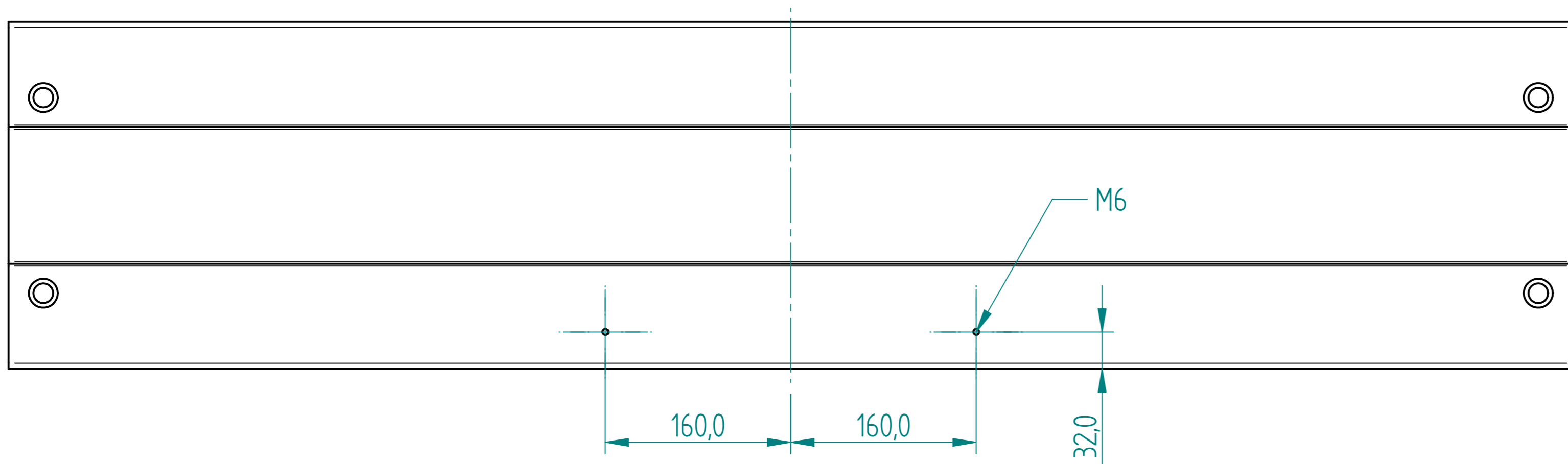
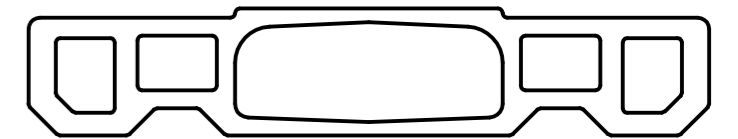
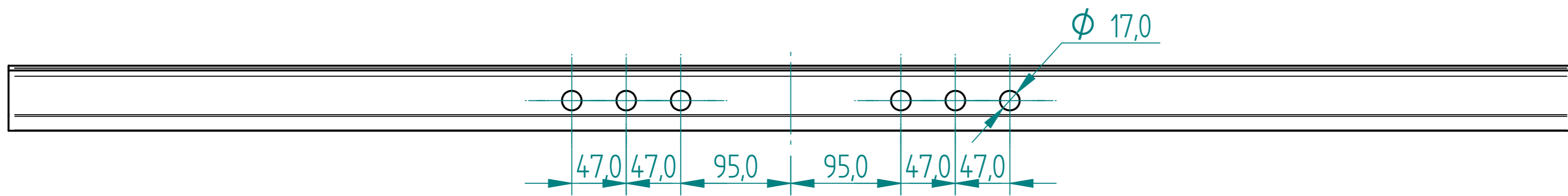
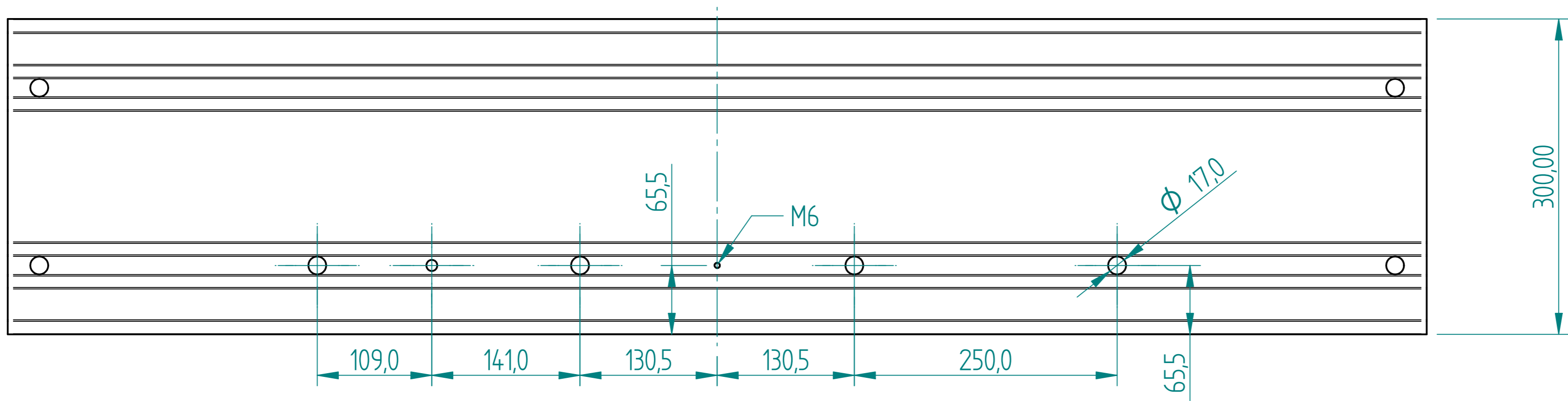


REVISION HISTORY			
REV	DESCRIPTION	DATE	APPROVED



	NAME	DATE	HYDROFLOOR MANUFACTURING (PTY) LTD	
DRAWN	Dan	06/10/09	TITLE BRIDGE PROFILE	
APPROVED			SIZE A2	DWG NO RW-12-00-01
MATERIAL				REV
TREATMENT			FILE NAME: Rw-12-00-01.dft	
UNLESS OTHERWISE SPECIFIED DIMENSIONS ARE IN MILLIMETERS			SCALE:	WEIGHT:
1 ST ANGLE ANGLES $\pm 0,1^\circ$				SHEET 2 OF 2
2 PL $\pm 0,02$ 3 PL $\pm 0,005$				