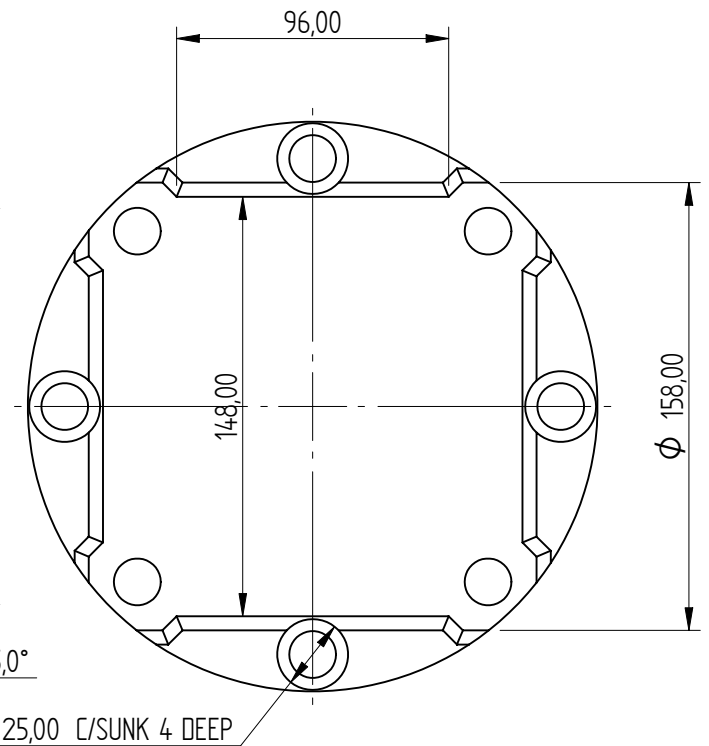
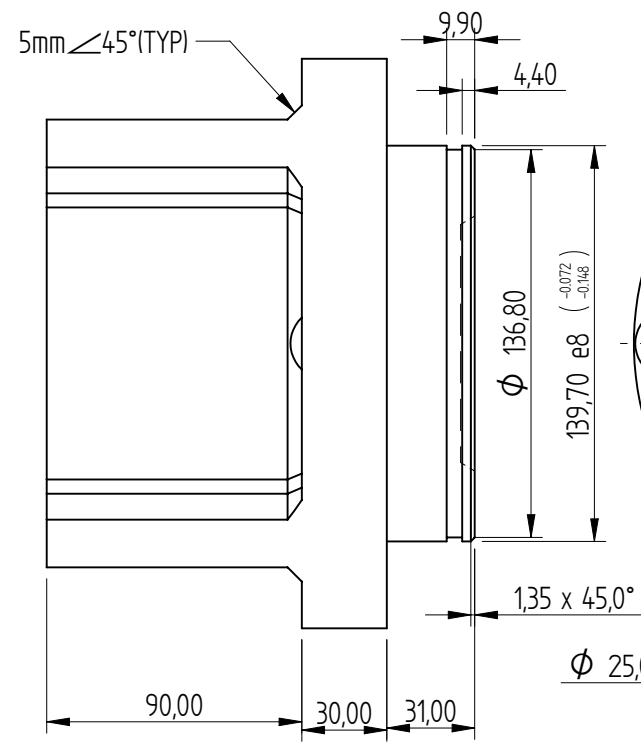
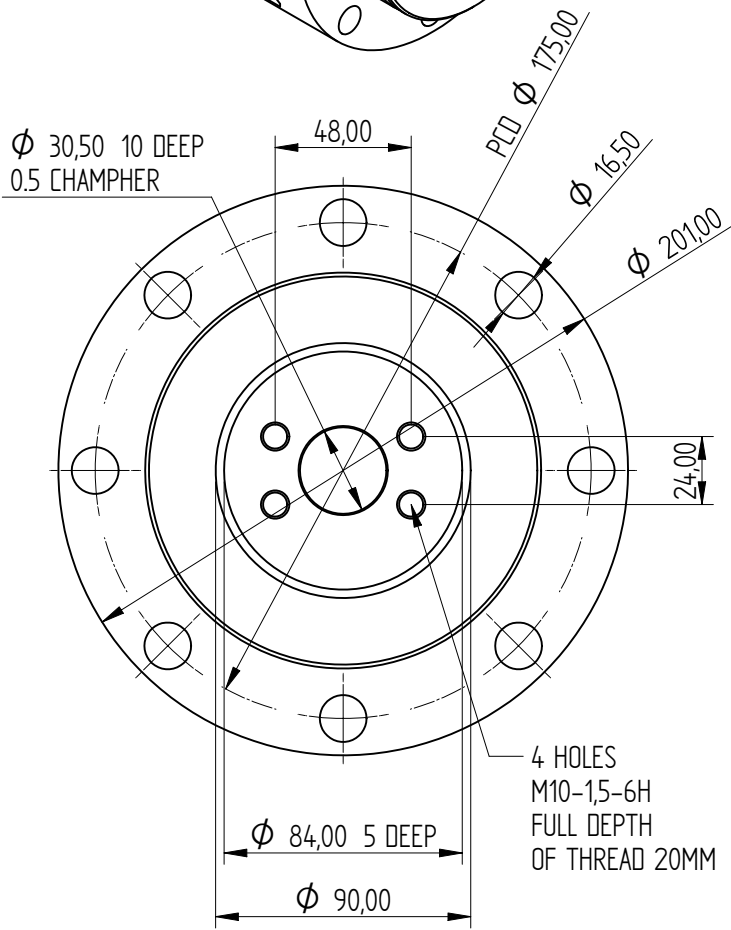
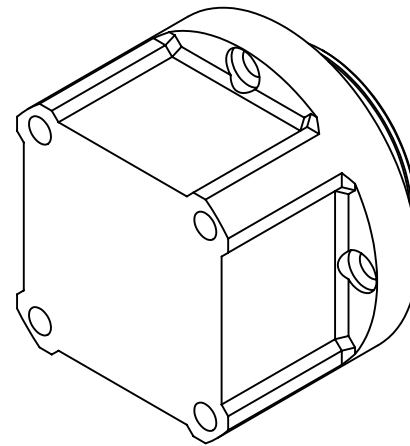
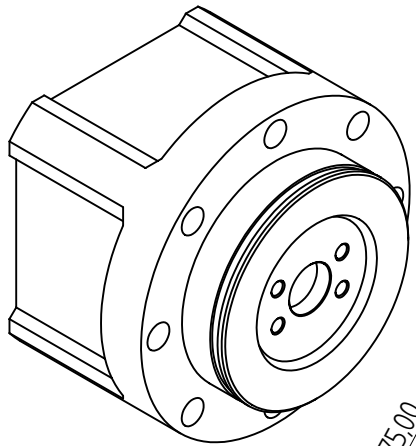


REVISION HISTORY			
REV	DESCRIPTION	DATE	APPROVED



MASS 8-86Kg

DRAWN	NAME	DATE	HYDROFLOOR MANUFACTURING (PTY) LTD	
APPROVED	Dan	04/12/08	TITLE	
MATERIAL			ALU VALVE HEAD	
TREATMENT			SIZE	DWG NO
UNLESS OTHERWISE SPECIFIED DIMENSIONS ARE IN MILLIMETERS ANGLES $\pm$ 0,1°			A2	RW-11-00-01
			FILE NAME: RW-11-00-01.dft	REV
2 PL $\pm$ 0,02 3 PL $\pm$ 0,005			SCALE:	WEIGHT:
			SHEET 1 OF 1	