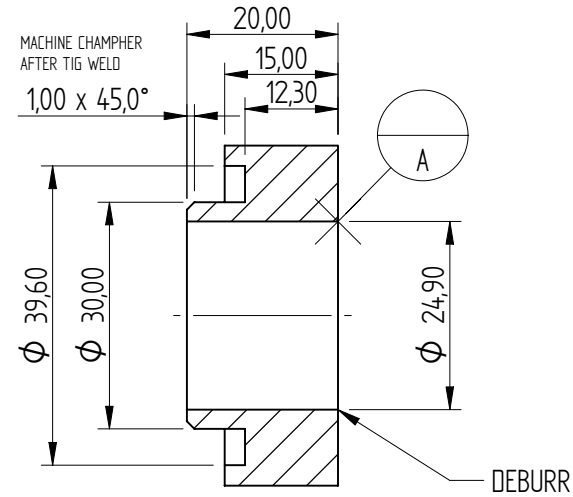
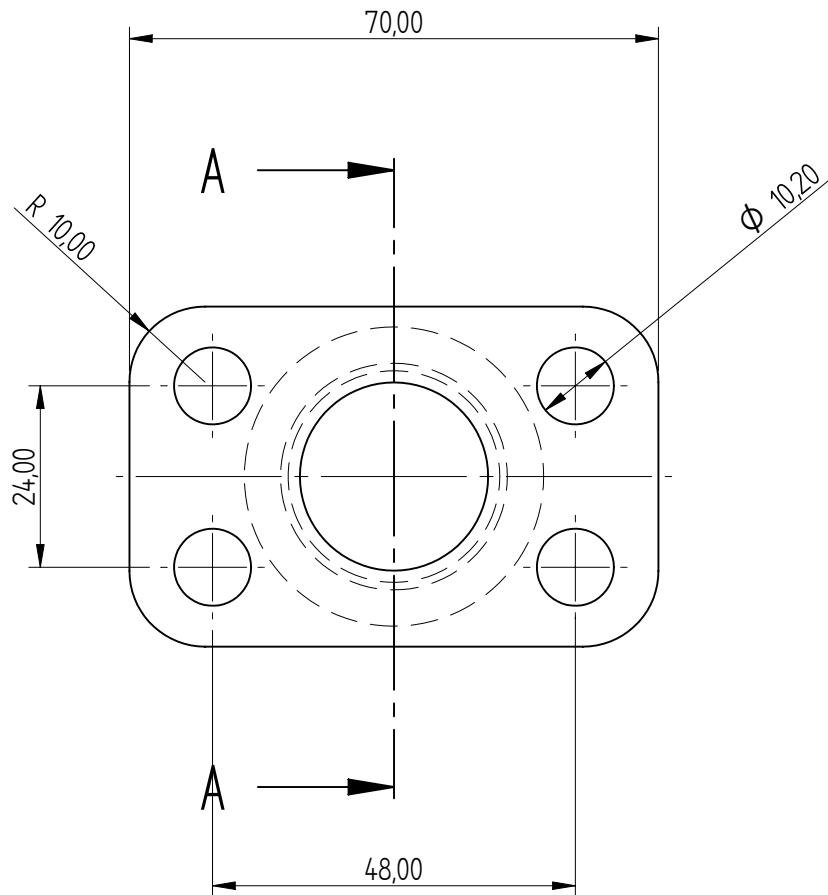
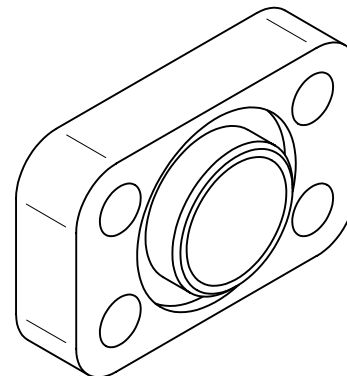


REVISION HISTORY			
REV	DESCRIPTION	DATE	APPROVED



SECTION A-A



	NAME	DATE	HYDROFLOOR MANUFACTURING (PTY) LTD	
DRAWN	Dan	04/12/08	TITLE NEEDLE FLANGE	
APPROVED			SIZE A2	DWG NO RW-10-01-01
MATERIAL			FILE NAME: RW-10-01-00.dft	REV
TREATMENT			SCALE:	WEIGHT:
UNLESS OTHERWISE SPECIFIED DIMENSIONS ARE IN MILLIMETERS ANGLES $\pm 0,1^\circ$			2 PL $\pm 0,02$	3 PL $\pm 0,005$
1:1 SCALE			SHEET 1 OF 1	