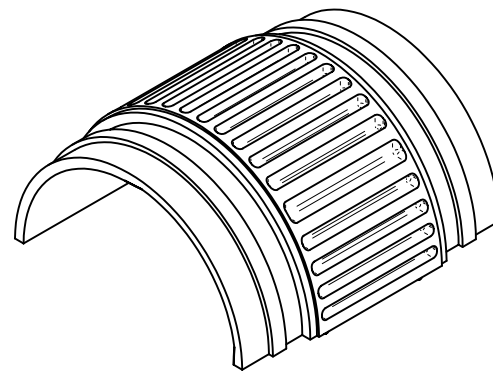
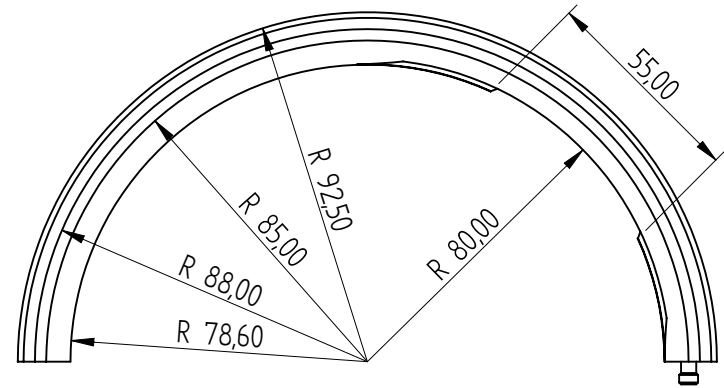
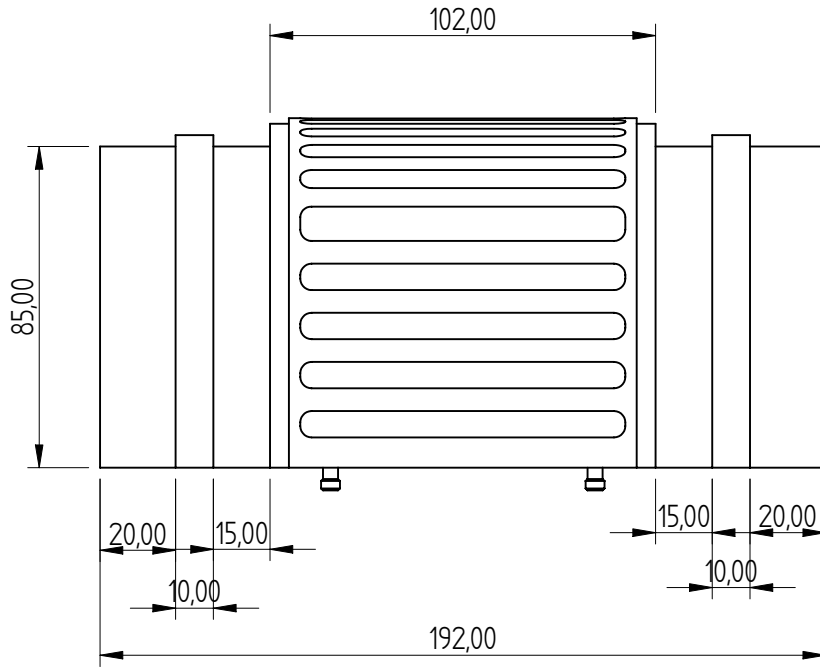


REVISION HISTORY			
REV	DESCRIPTION	DATE	APPROVED



	NAME	DATE	HYDROFLOOR MANUFACTURING (PTY) LTD	
DRAWN	Dan	04/12/08	TITLE	
APPROVED			LOWER EXT SLEEVE 1/3	
MATERIAL			SIZE	DWG NO
TREATMENT			A2	RW-09-02-01
UNLESS OTHERWISE SPECIFIED DIMENSIONS ARE IN MILLIMETERS ANGLES ±0,1°			FILE NAME:	REV
2 PL ±0,02 3 PL ±0,005			RW-09-02-01.dft	
SCALE:		WEIGHT:	SHEET 1 OF 1	