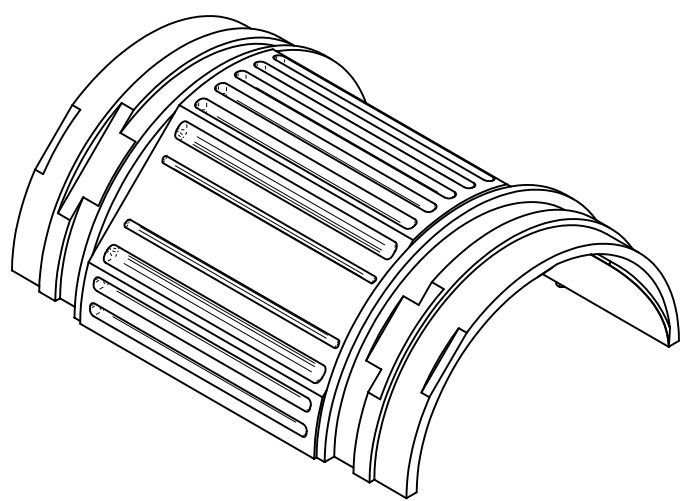
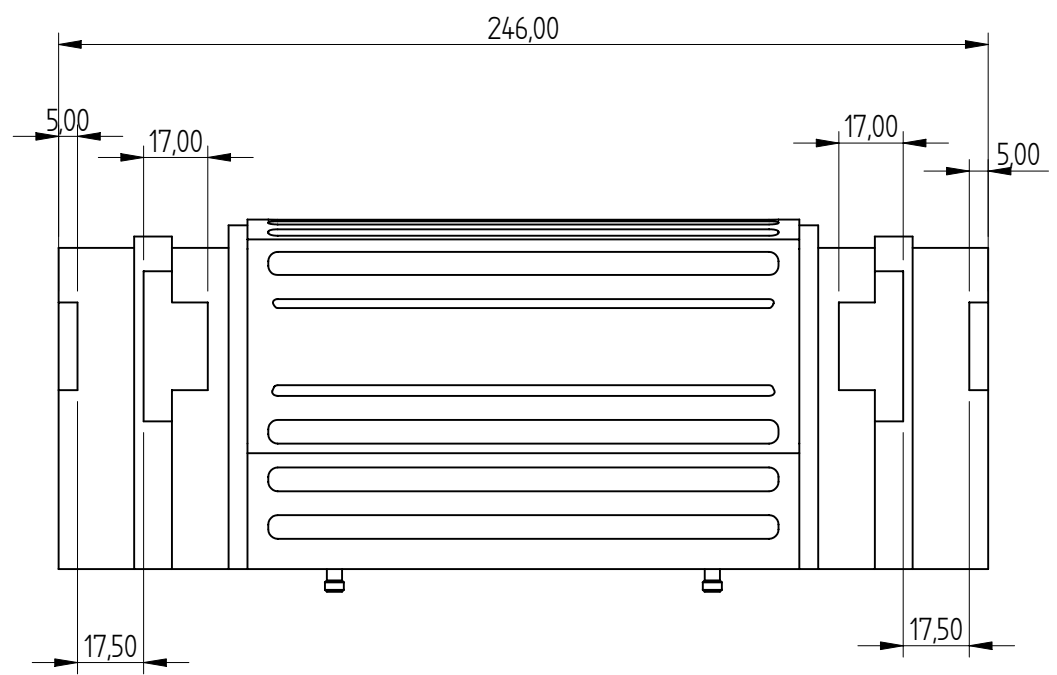
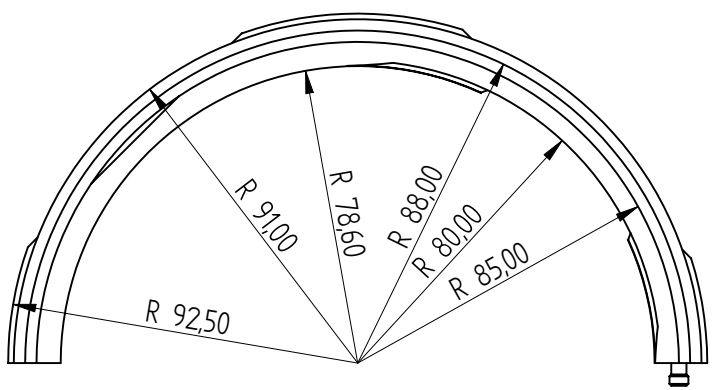


REVISION HISTORY			
REV	DESCRIPTION	DATE	APPROVED



DRAWN	NAME	DATE	HYDROFLOOR MANUFACTURING (PTY) LTD	
APPROVED	Dan	04/12/08	TITLE	
MATERIAL			UPPER EXT MID SLEEVE	
TREATMENT			SIZE	DWG NO
UNLESS OTHERWISE SPECIFIED DIMENSIONS ARE IN MILLIMETERS ANGLES ±0,1°			A2	RW-08-01-01
2 PL ±0,02 3 PL ±0,005			FILE NAME: RW-08-01-01.dft	REV
			SCALE:	WEIGHT:
			SHEET 1 OF 1	