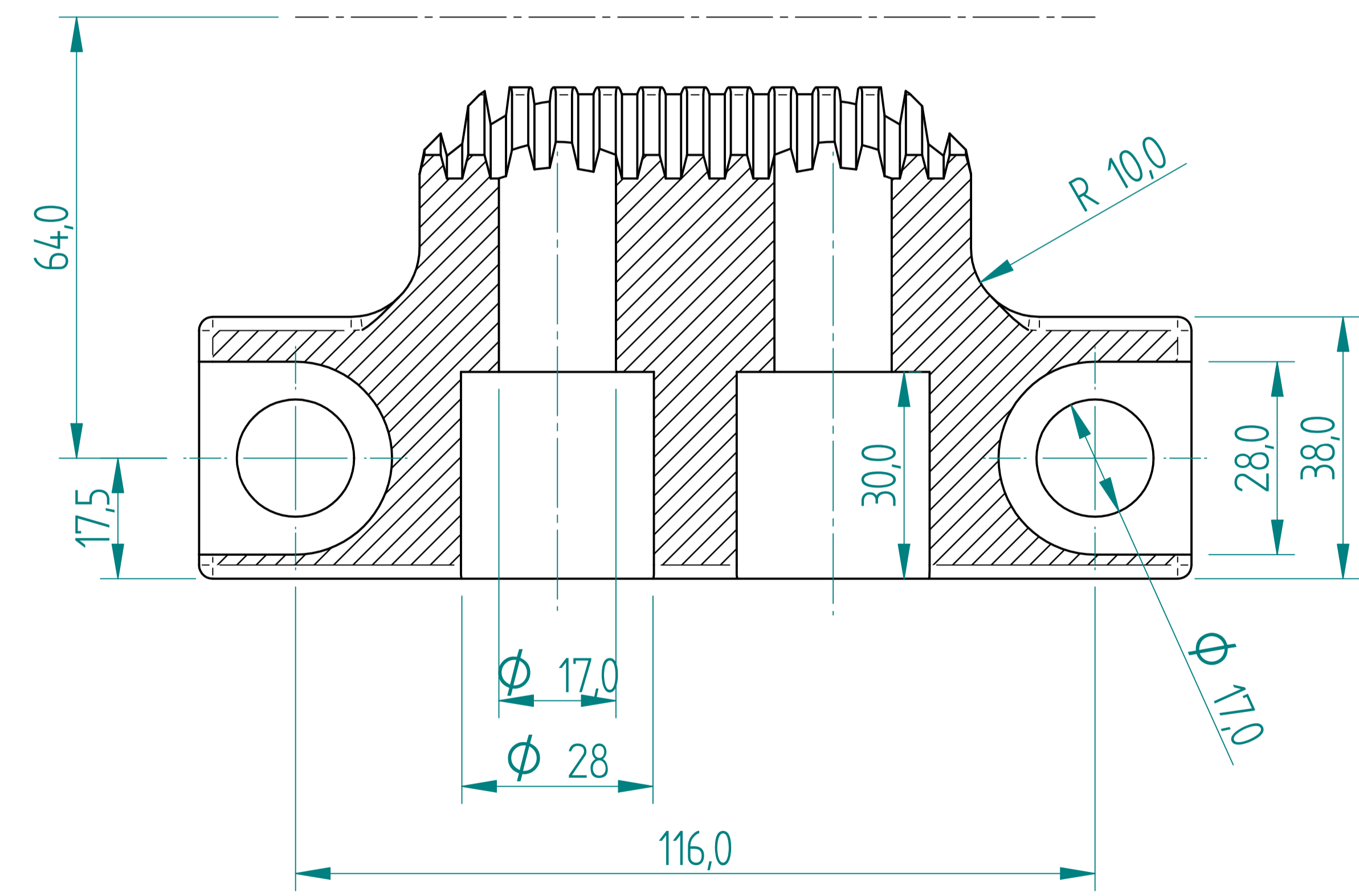
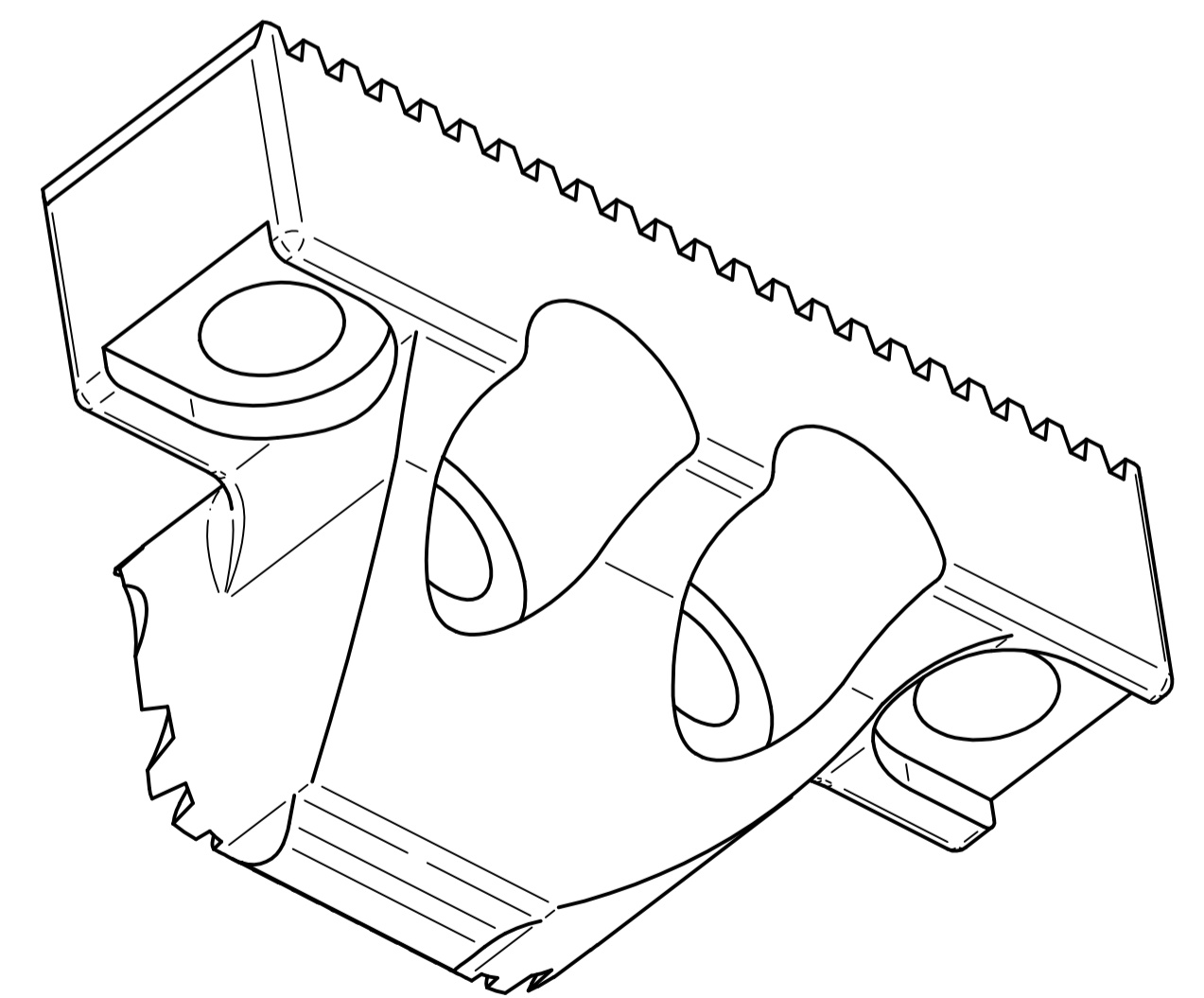
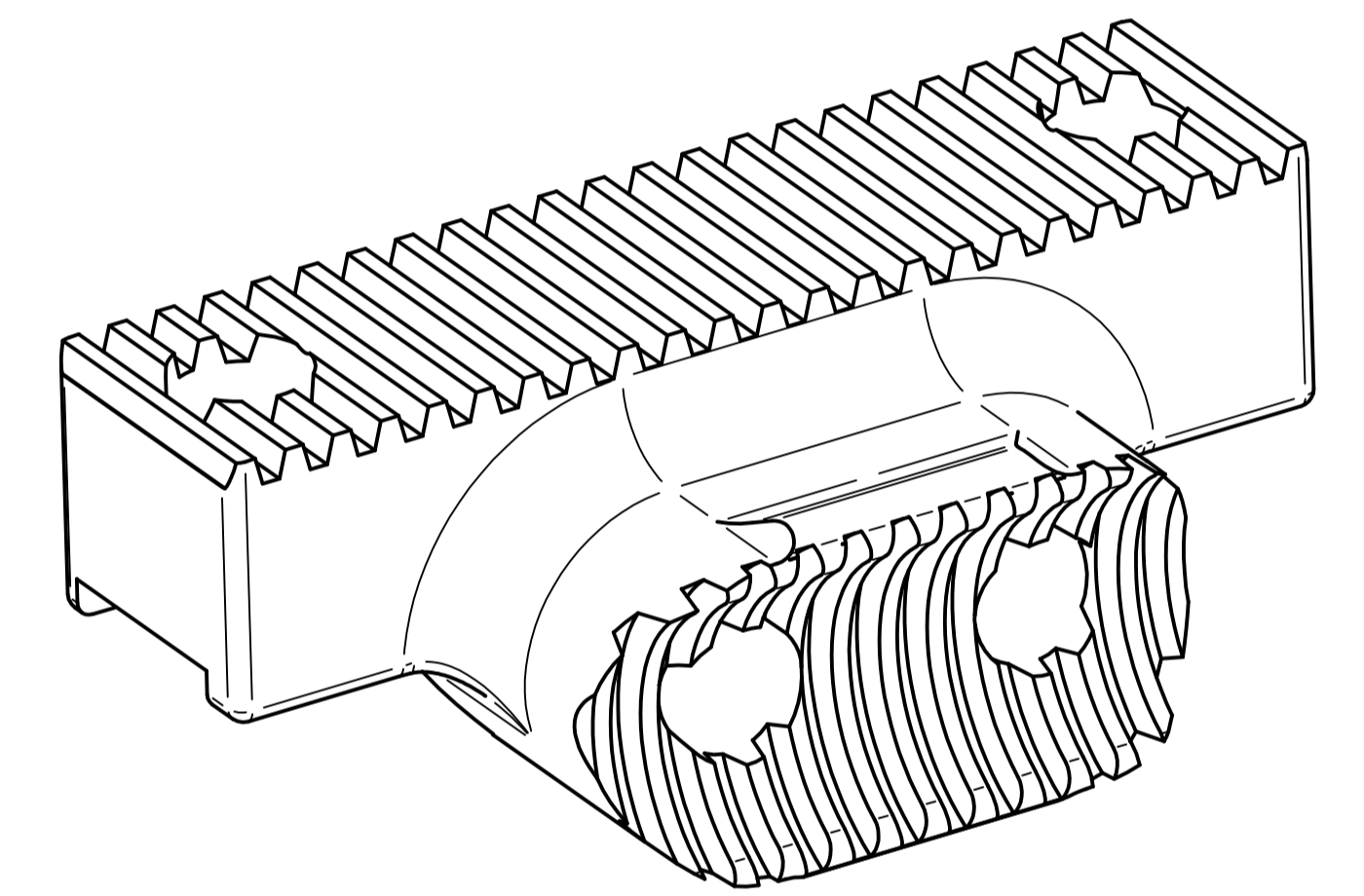
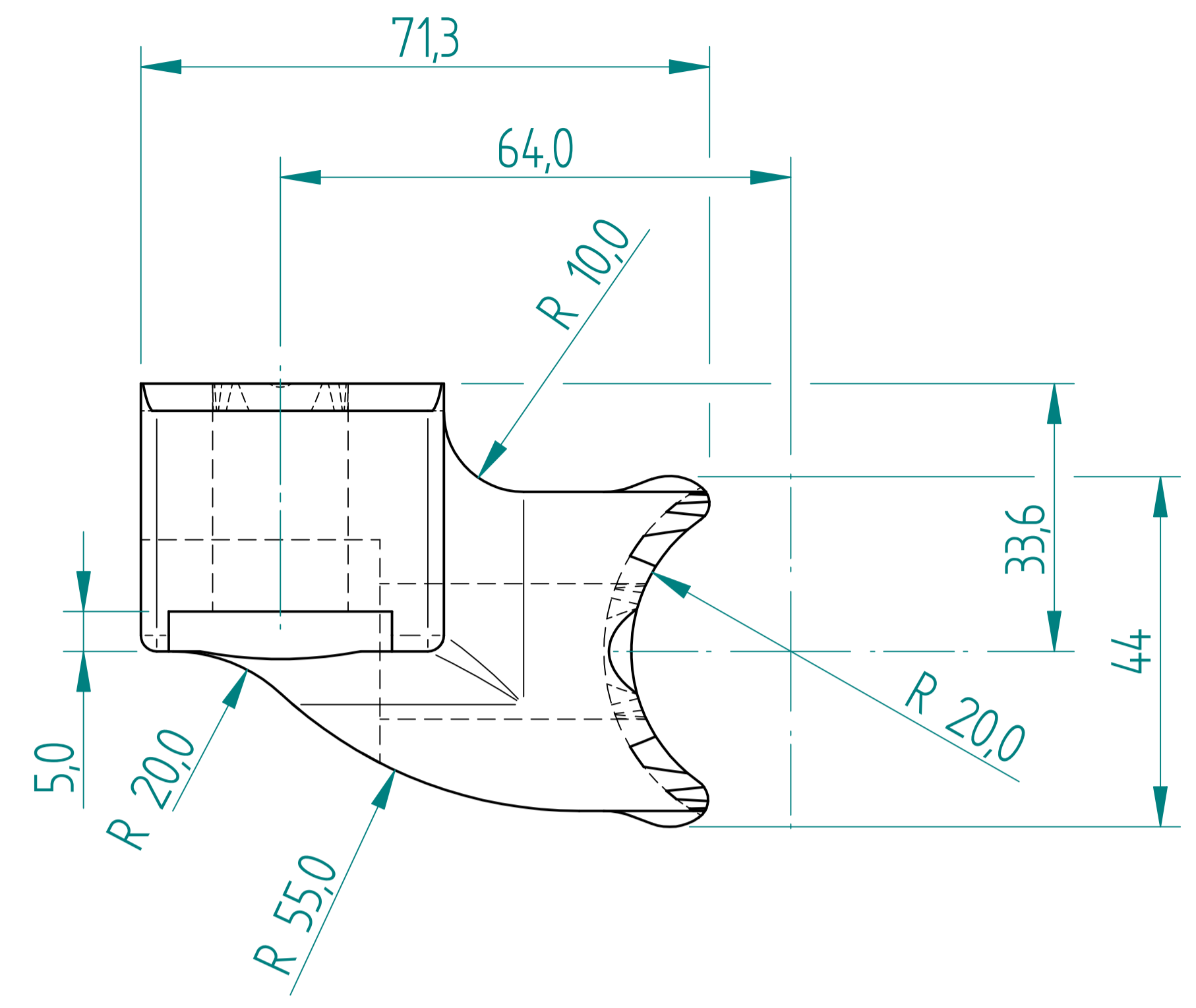
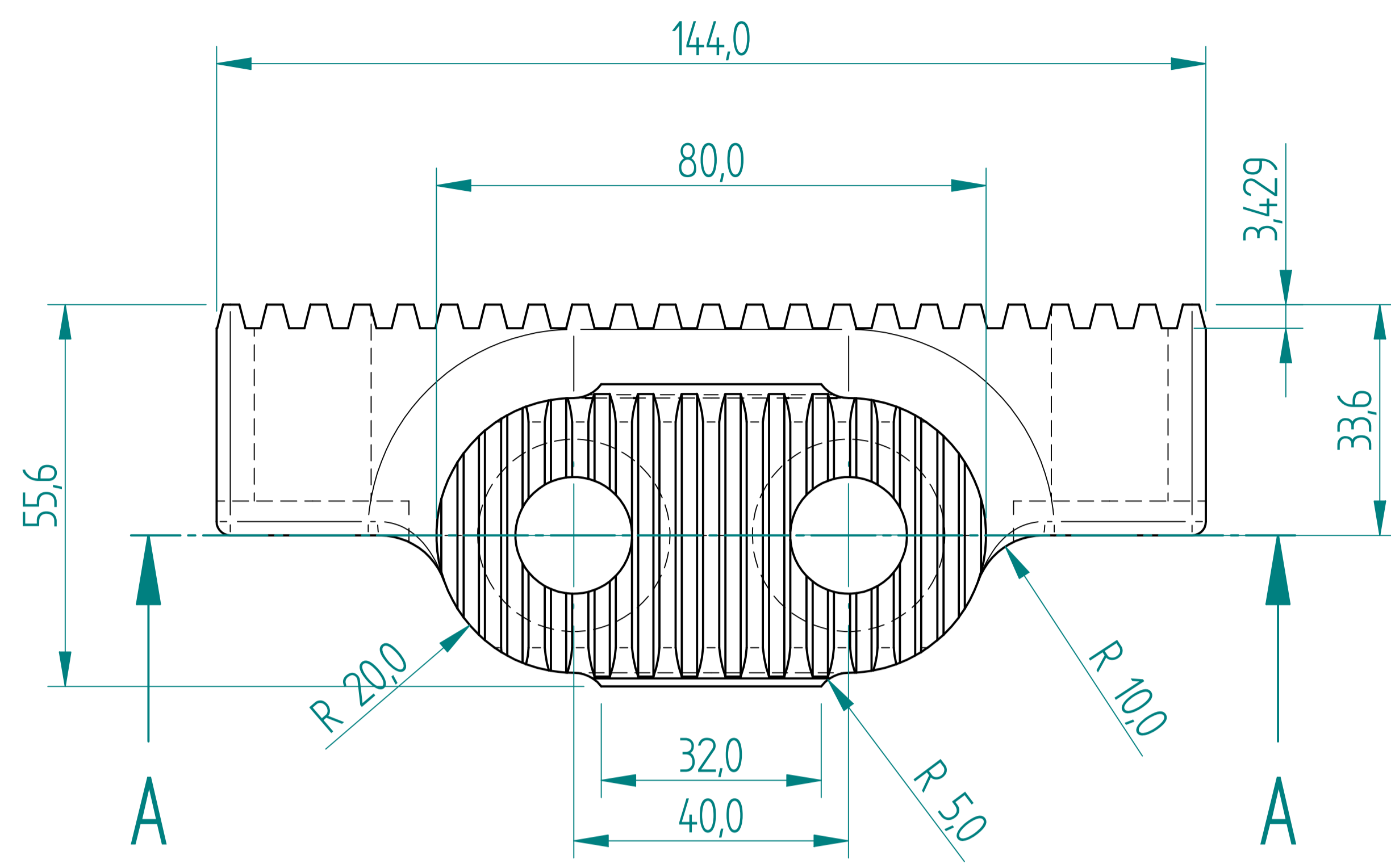


REVISION HISTORY			
REV	DESCRIPTION	DATE	APPROVED



SECTION A-A

NOTES:

ACME 4 T.P.I.
 29 DEG TOOTH PROFILE
 PITCH = 6.35 mm
 THREAD HIEGHT = 3.429mm

DRAWN	NAME	DATE	HYDROFLOOR MANUFACTURING (PTY) LTD
APPROVED	Dan	03/04/10	
MATERIAL			
TREATMENT			
UNLESS OTHERWISE SPECIFIED DIMENSIONS ARE IN MILLIMETERS ANGLES = 0.1°			SIZE DWG NO A2 RW-06-00-01
1:1 ANGLE 2 PL ±0.02 3 PL ±0.005			FILE NAME: RW-06-00-01.dft SCALE: WEIGHT: SHEET 1 OF 1