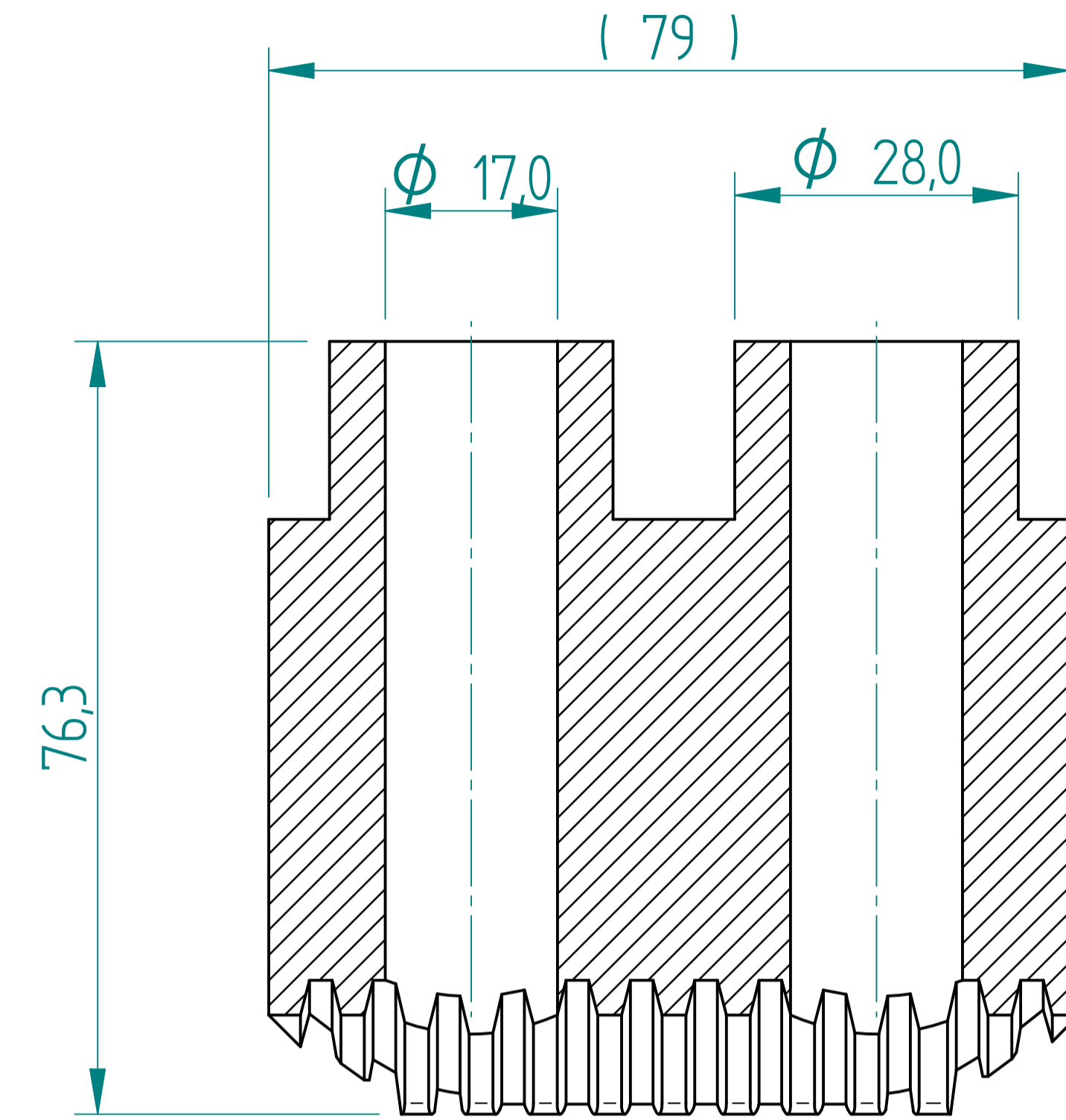
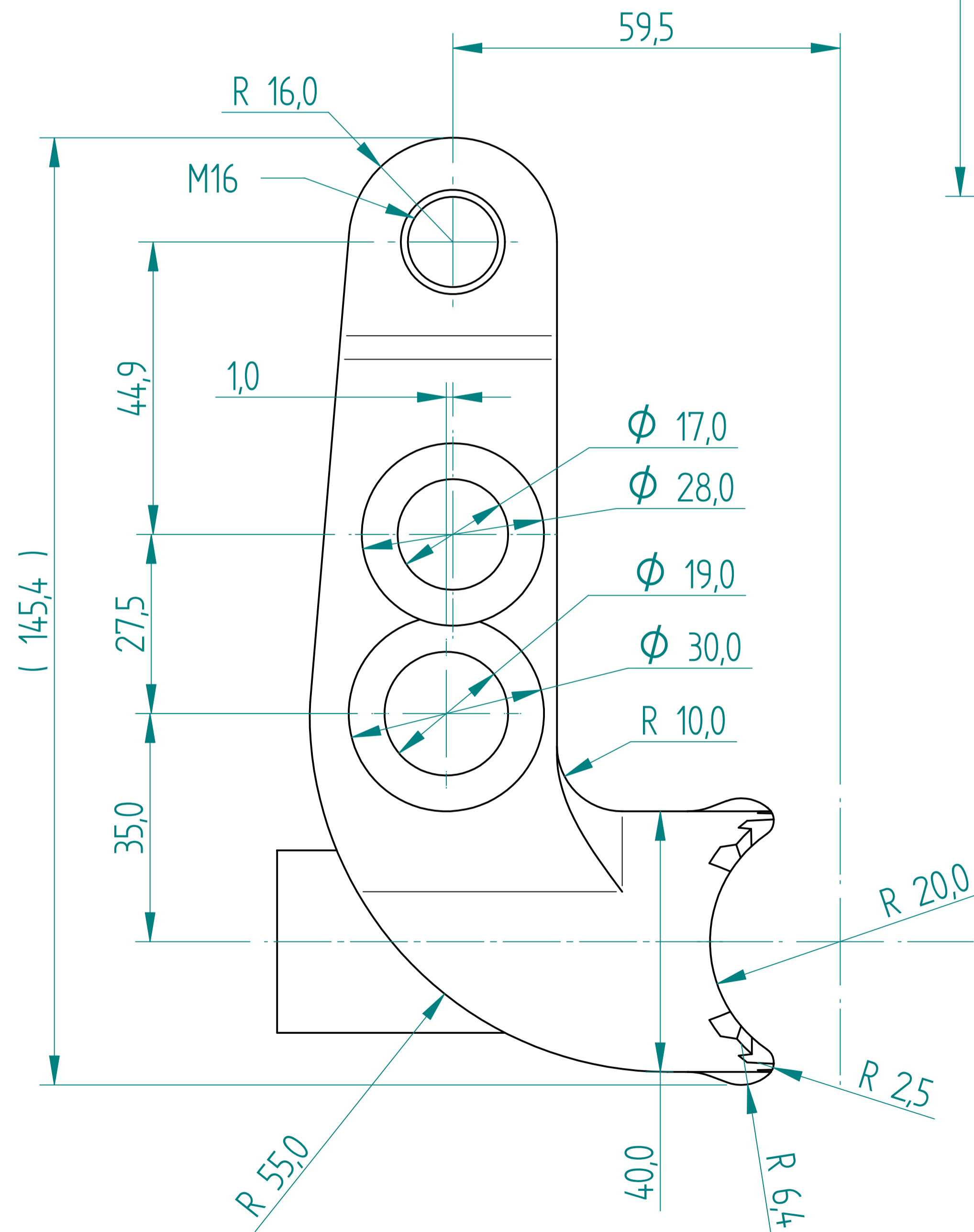
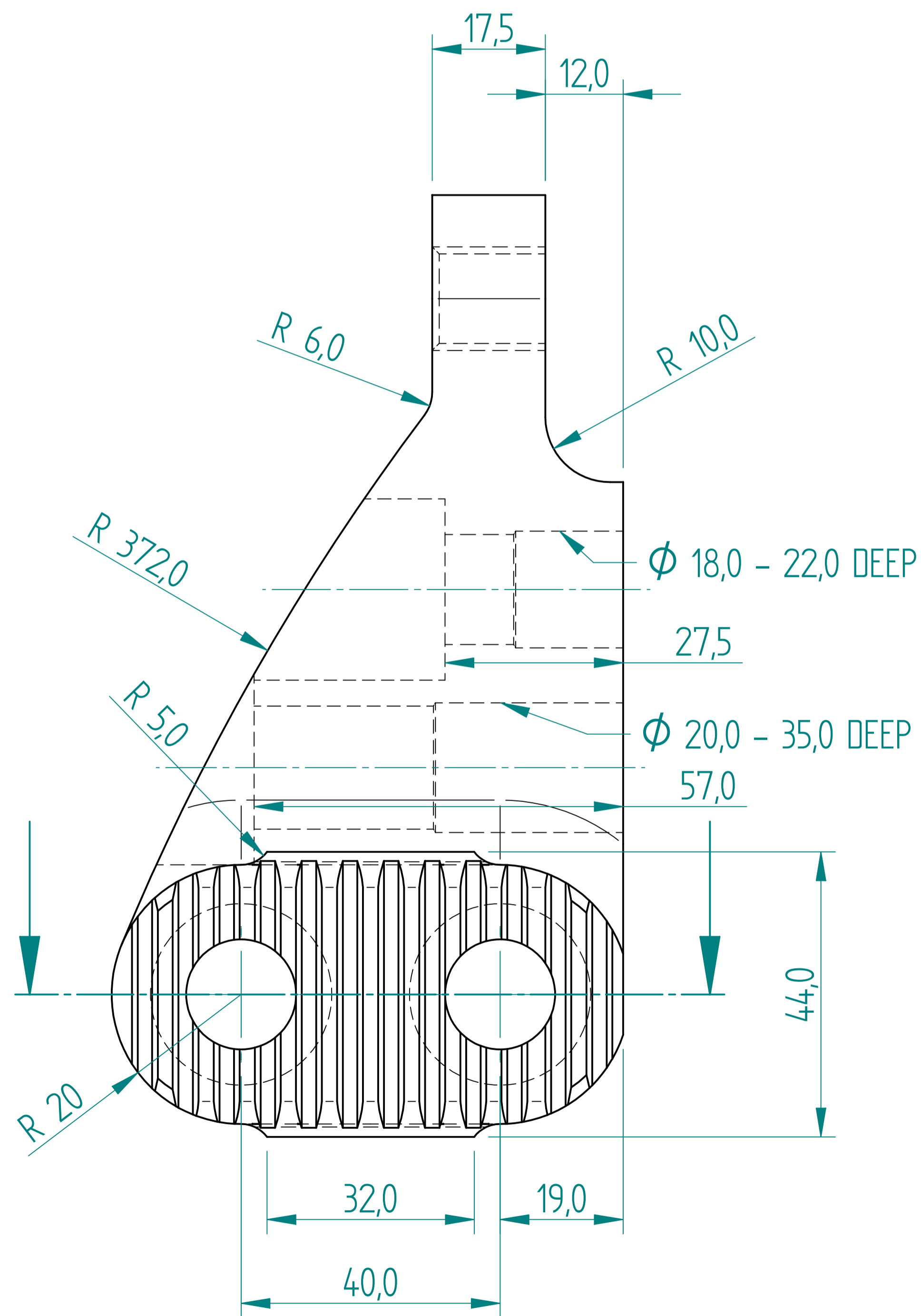


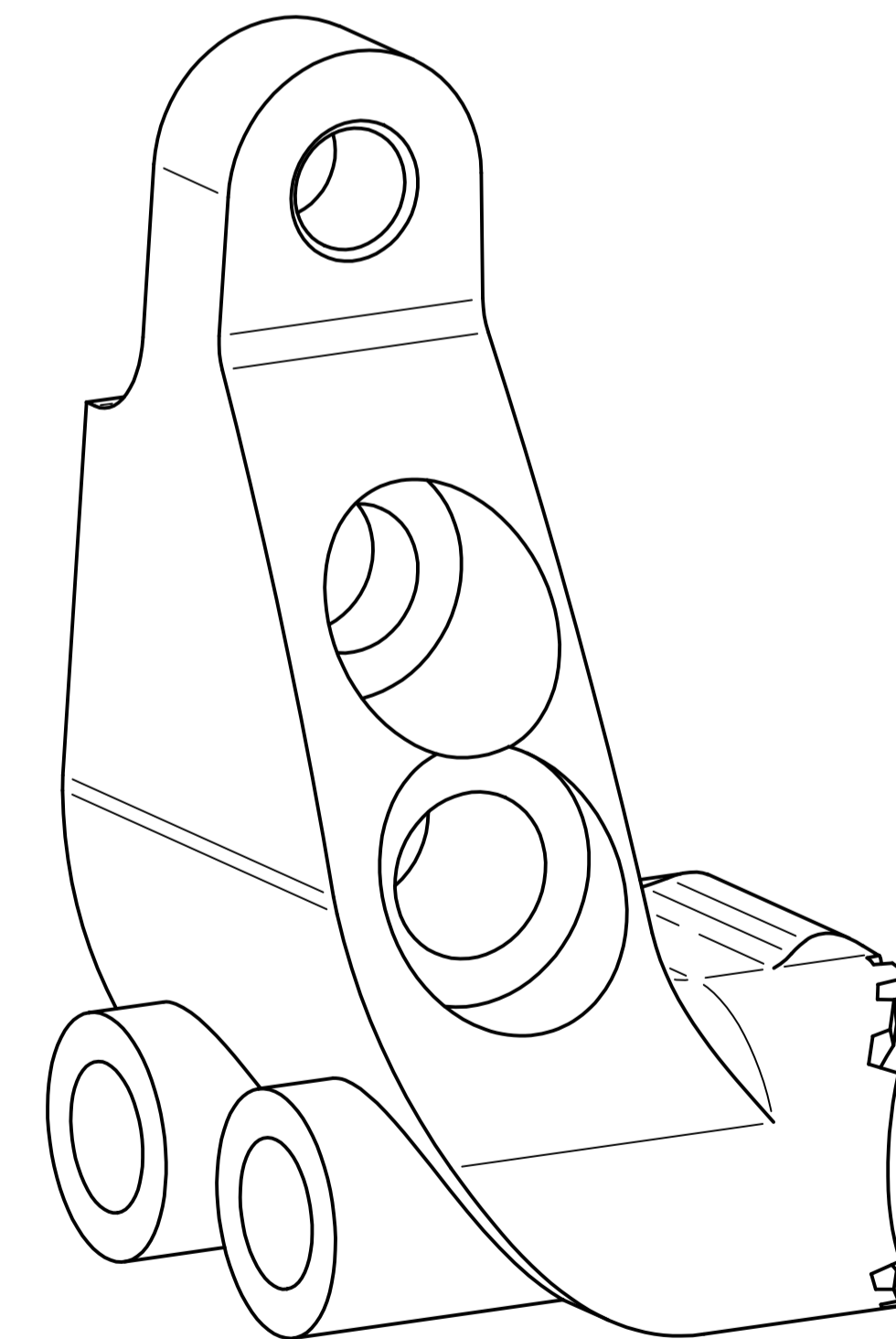
REVISION HISTORY			
REV	DESCRIPTION	DATE	APPROVED

NOTES:

ACME 4 T.P.I.
 29 DEG TOOTH PROFILE
 PITCH = 6.35 mm
 THREAD HIEGHT = 3.429mm



SECTION A-A



NAME	DATE	HYDROFLOOR	
Drawn	03/04/10	MANUFACTURING (PTY) LTD	
APPROVED		TITLE WING OUTER L.H.S.	
MATERIAL		SIZE DWG NO	RW-04-00-01
TREATMENT		FILE NAME	RW-04-00-01.dft
UNLESS OTHERWISE SPECIFIED		SCALE	WEIGHT
DIMENSIONS ARE IN MILLIMETERS		2 PL ±0.02	3 PL ±0.005
ANGLES ±0.1°		SHEET 1 OF 1	