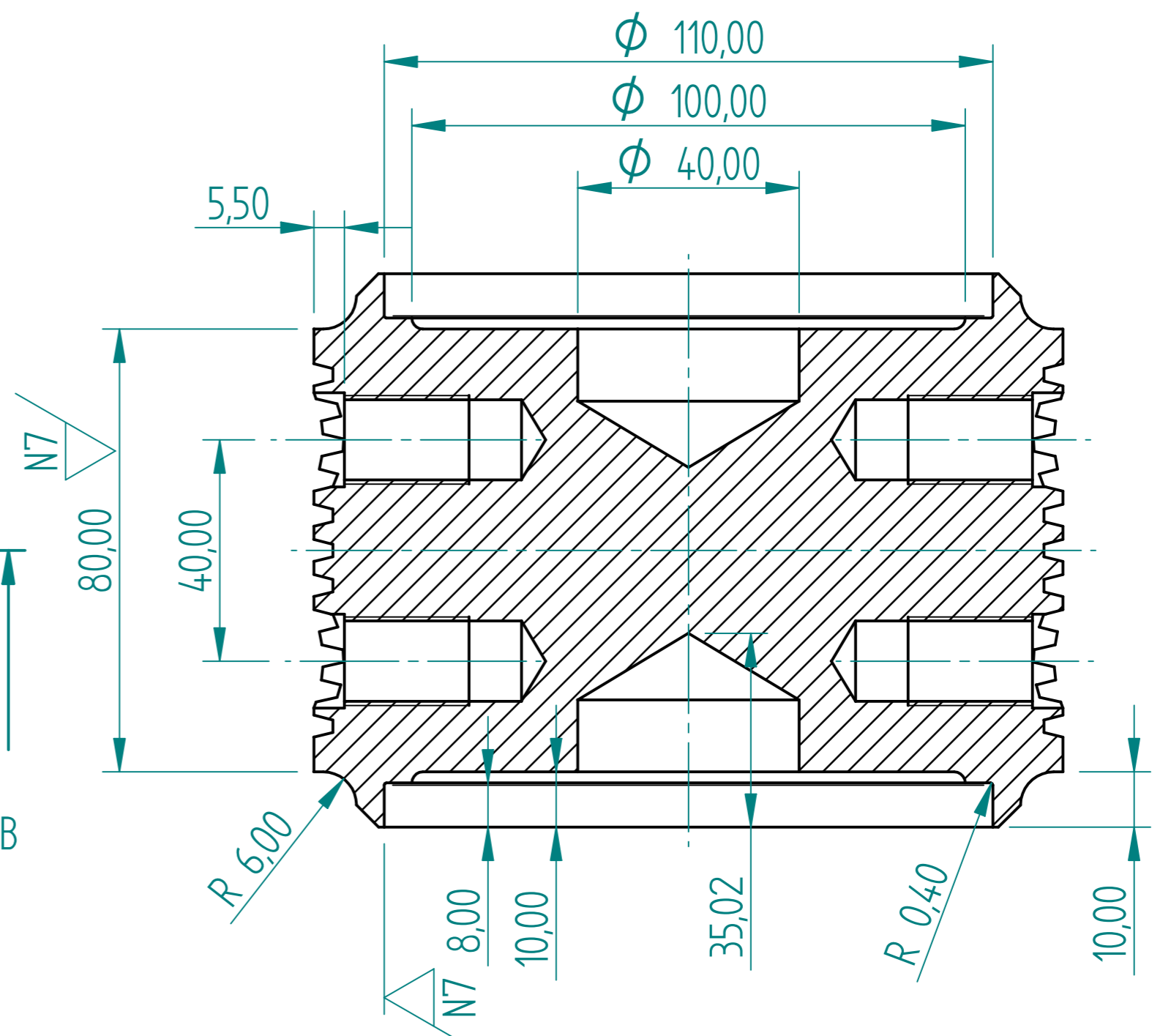
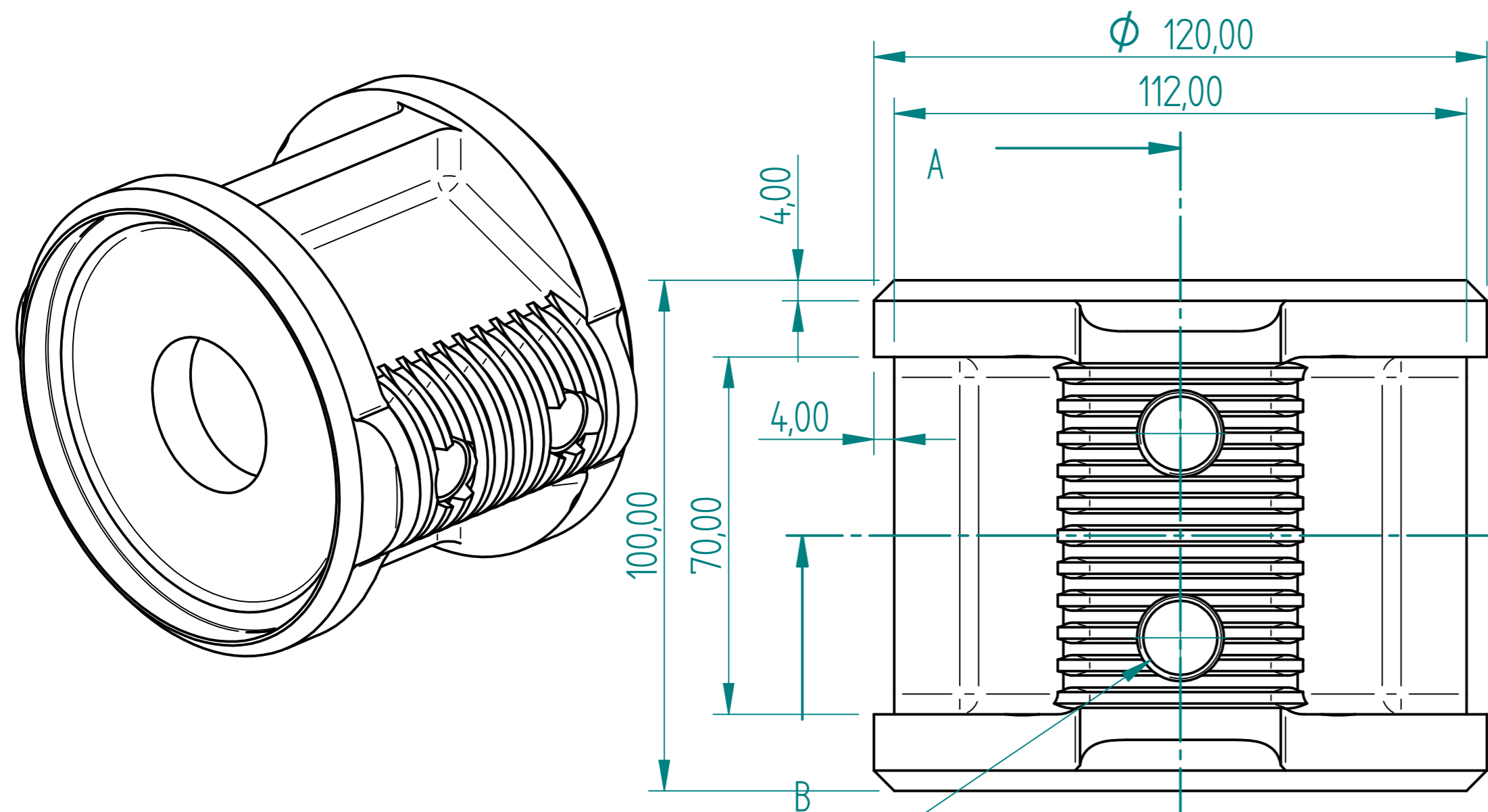


REVISION HISTORY			
REV	DESCRIPTION	DATE	APPROVED



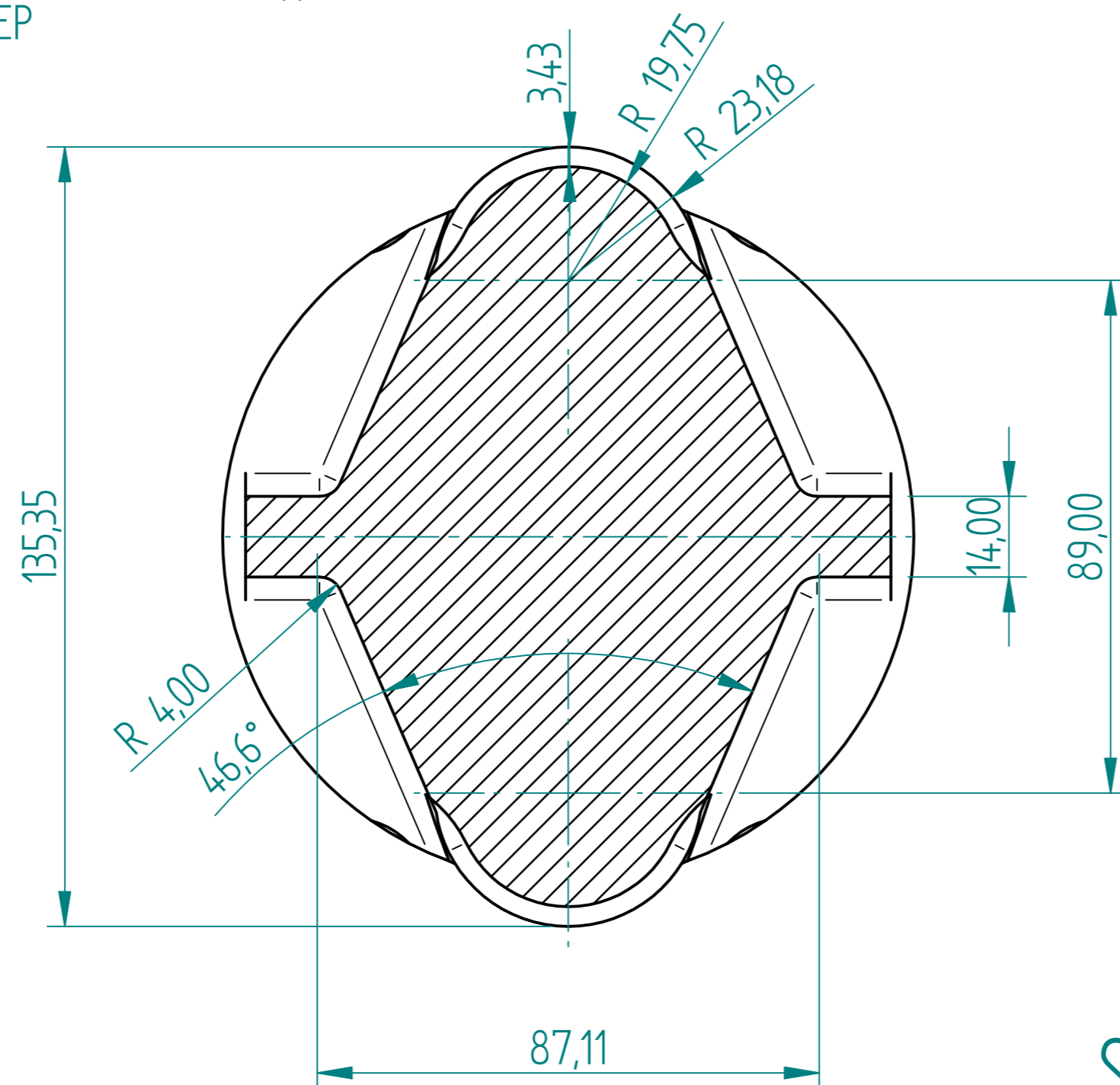
SECTION A-A

NOTES:

ACME 4 T.P.I.
 29 DEG TOOTH PROFILE
 PITCH = 6.35 mm
 THREAD HIEGHT = 3.429mm

Ø 14,50 - 37,50 DEEP
 C'BORE Ø 17,00 - 5,50 DEEP
 M16 x 1.5 - 28,00 DEEP

⊕ ⊕ 0.2



SECTION B-B

DRAWN	NAME	DATE	HYDROFLOOR MANUFACTURING (PTY) LTD	
APPROVED	Dan	03/10/10	TITLE	
MATERIAL			PISTON CROSSHEAD	
TREATMENT			SIZE	DWG NO
UNLESS OTHERWISE SPECIFIED DIMENSIONS ARE IN MILLIMETERS			A2	RW-03-04-02
1st ANGLE			FILE NAME: RW-03-04-02.dft	REV
2 PL ±0.02 3 PL ±0.005			SCALE:	WEIGHT:
				SHEET 1 OF 1