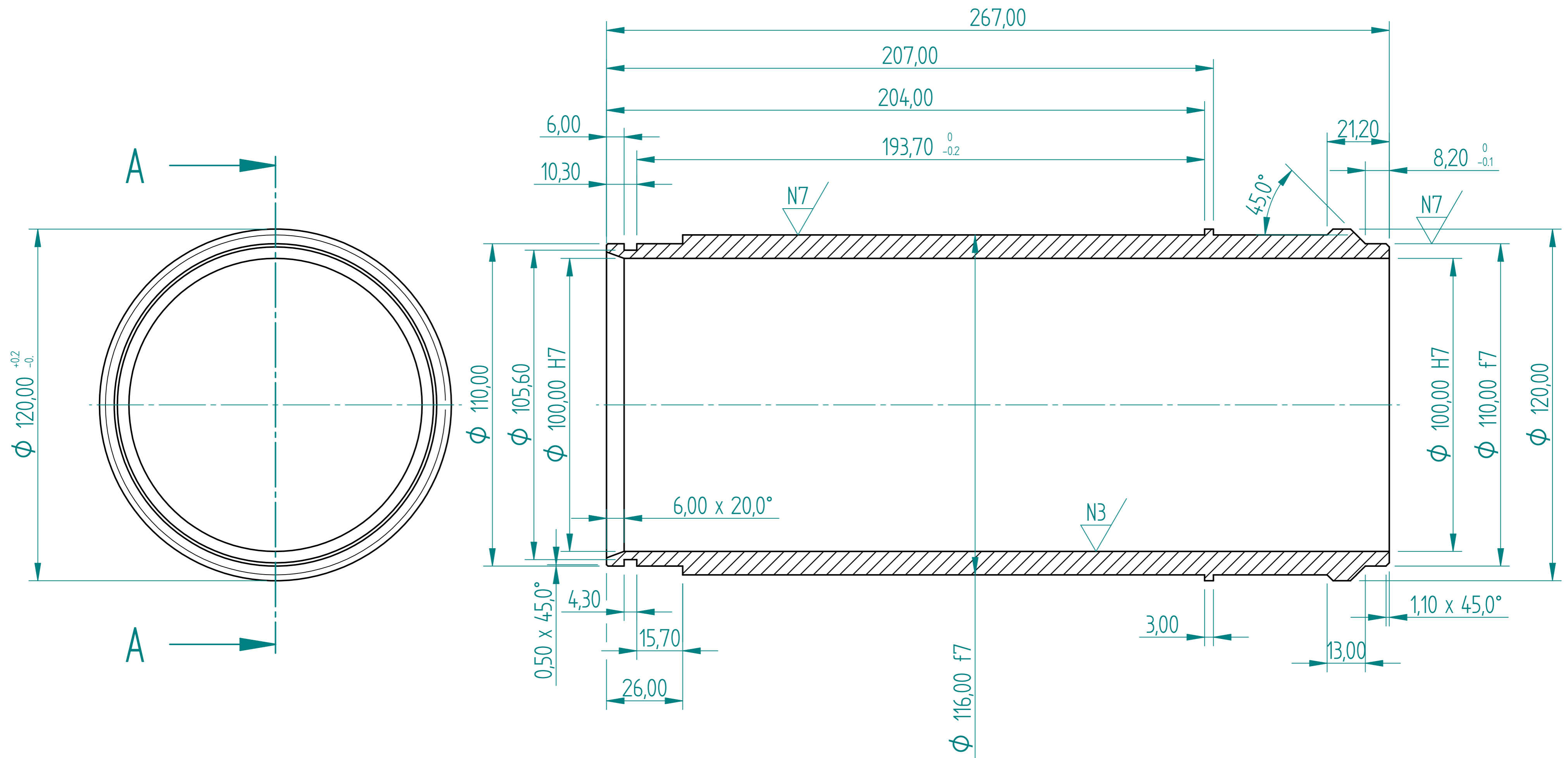


REVISION HISTORY			
REV	DESCRIPTION	DATE	APPROVED



SECTION A-A

DRAWN	NAME	DATE	HYDROFLOOR MANUFACTURING (PTY) LTD	
APPROVED	Dan	06/12/09	TITLE	
MATERIAL			PISTON SLEEVE	
TREATMENT			SIZE	DWG NO
UNLESS OTHERWISE SPECIFIED DIMENSIONS ARE IN MILLIMETERS			A2	RW-03-01-03
1 ST ANGLE			SCALE:	WEIGHT:
2 PL $\pm 0,02$ 3 PL $\pm 0,005$			FILE NAME: RW-03-01-03.dft	SHEET 1 OF 1