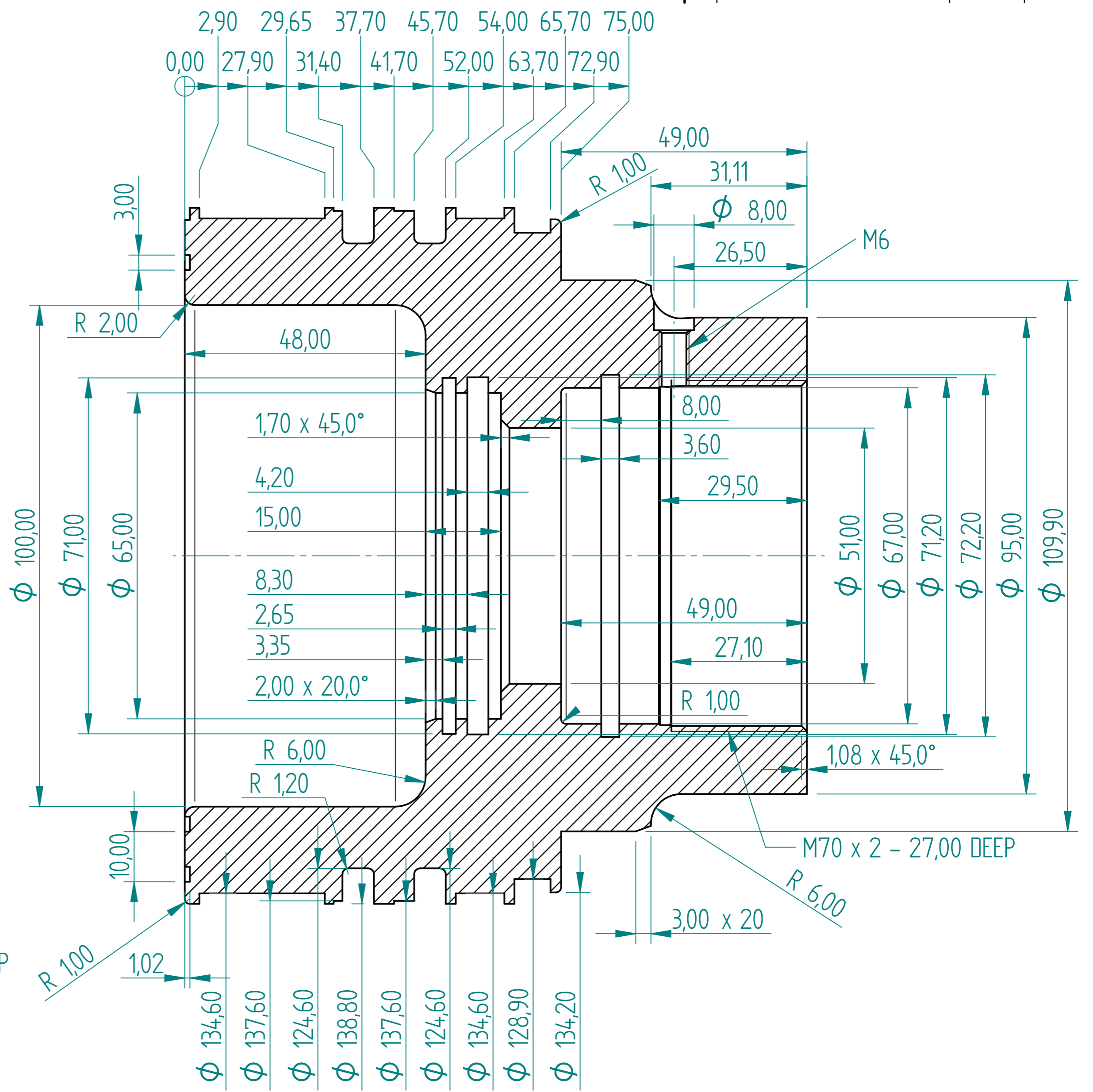
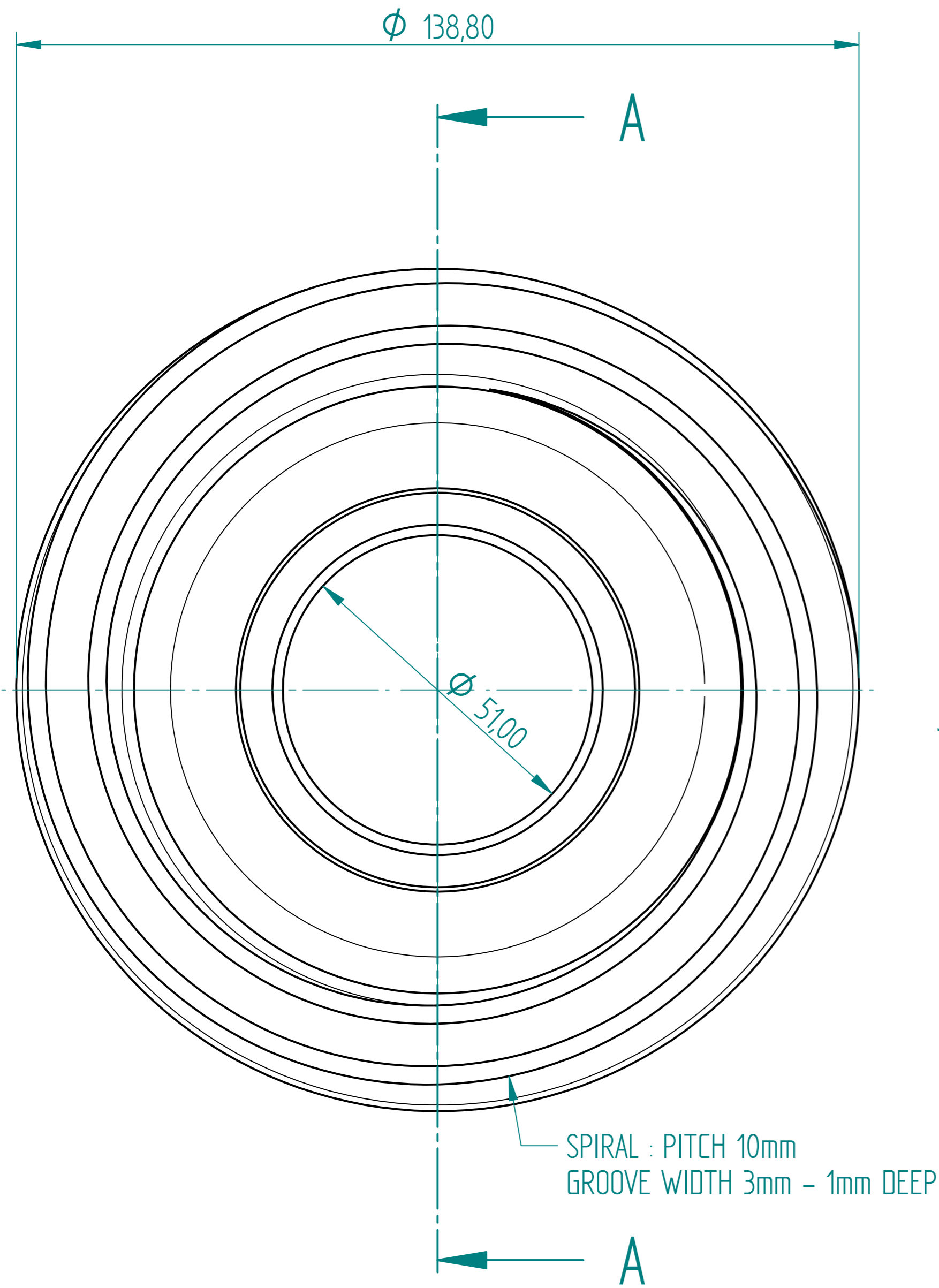


REVISION HISTORY			
REV	DESCRIPTION	DATE	APPROVED



SECTION A-A

NAME	DATE	HYDROFLOOR MANUFACTURING (PTY) LTD	
DRAWN Dan	03/09/10	TITLE PISTON HEAD	
APPROVED		SIZE A2	DWG NO RW-02-02-02
MATERIAL		FILE NAME: Rw-02-02-02.dft	
TREATMENT		SCALE:	WEIGHT:
UNLESS OTHERWISE SPECIFIED DIMENSIONS ARE IN MILLIMETERS		SHEET 1 OF 1	
1 ST ANGLE ANGLES $\pm 0,1^\circ$			
2 PL $\pm 0,02$ 3 PL $\pm 0,005$			