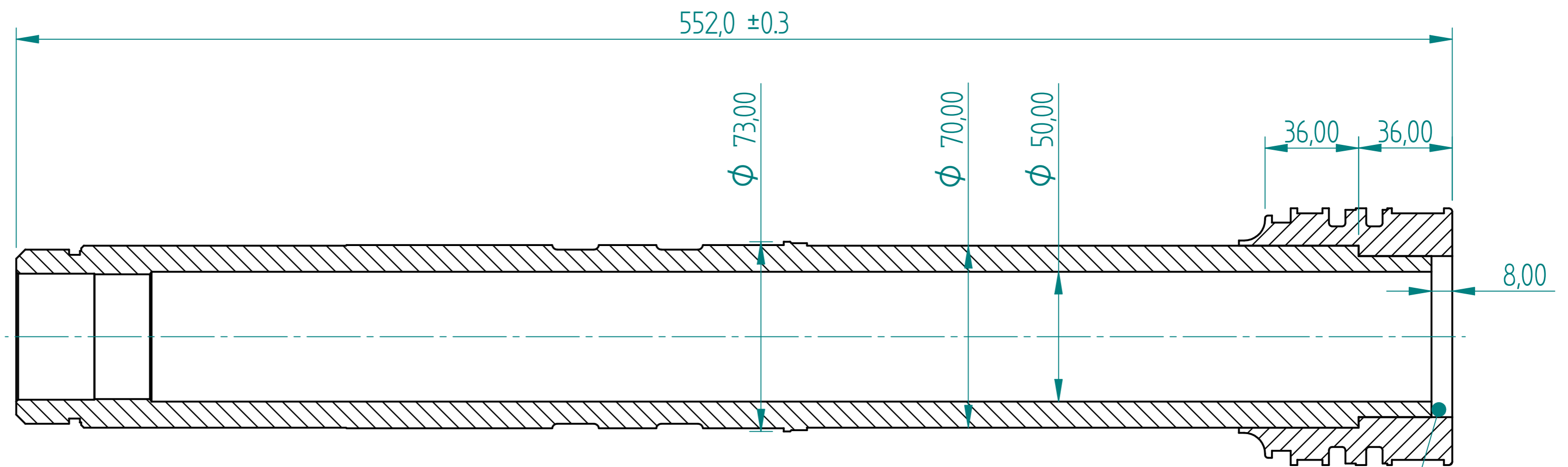
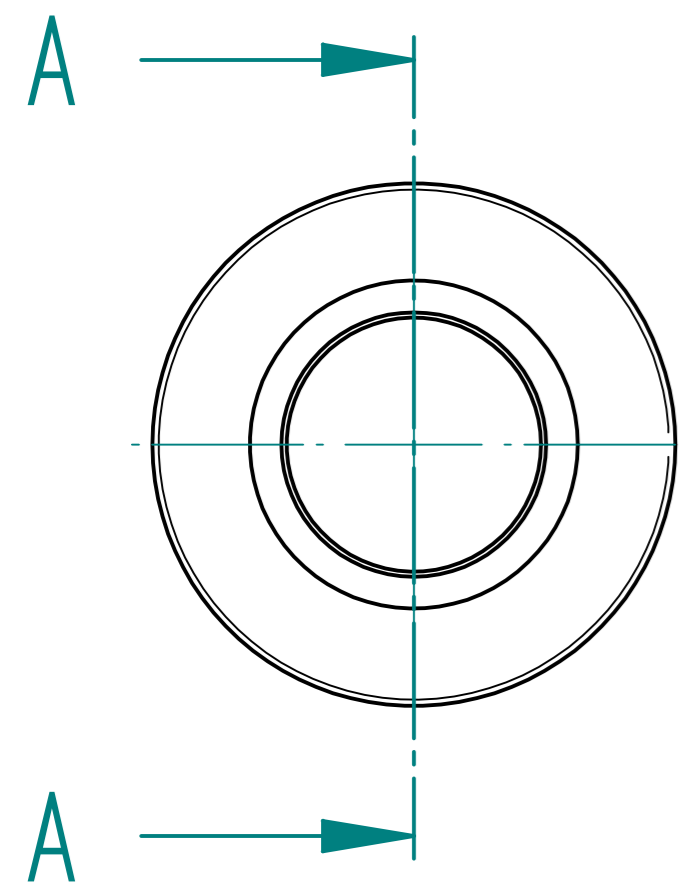


REVISION HISTORY			
REV	DESCRIPTION	DATE	APPROVED



SECTION A-A

NOTE:
6 mm WELD

	NAME	DATE	HYDROFLOOR MANUFACTURING (PTY) LTD	
DRAWN	Dan	03/15/10	TITLE PISTON SHAFT ASS	
APPROVED			SIZE A2	DWG NO
MATERIAL				REV
TREATMENT			FILE NAME: Piston Shaft.dft	
UNLESS OTHERWISE SPECIFIED DIMENSIONS ARE IN MILLIMETERS			SCALE:	WEIGHT:
1st ANGLE				SHEET 1 OF 1