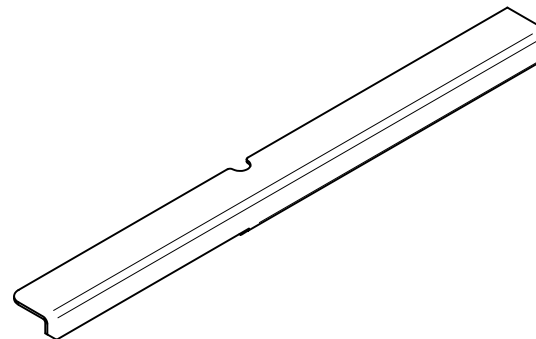
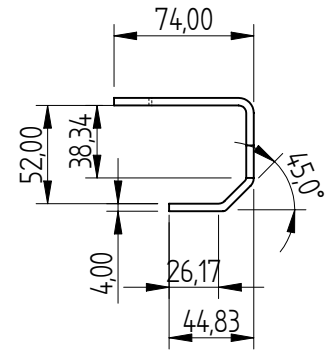
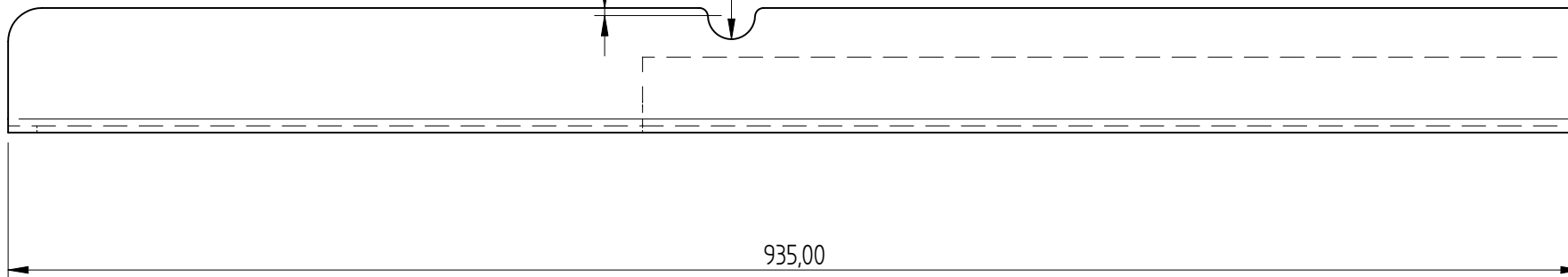
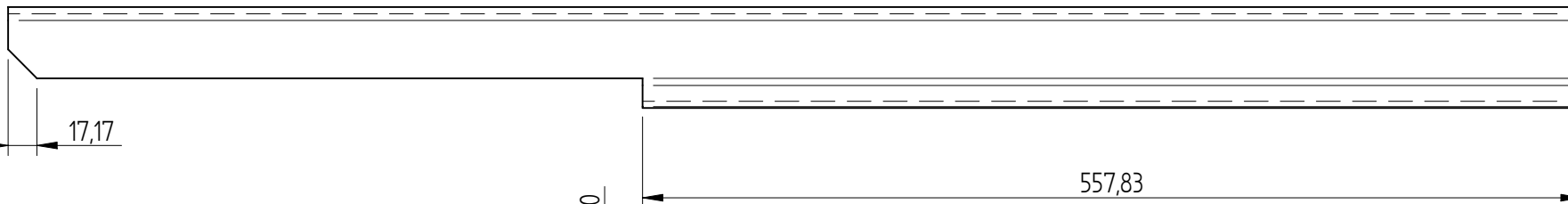
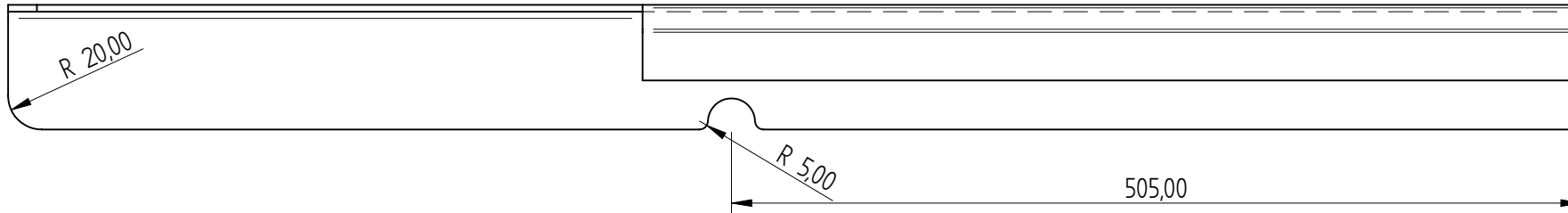


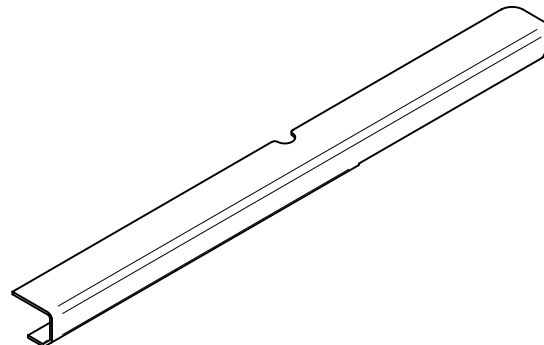
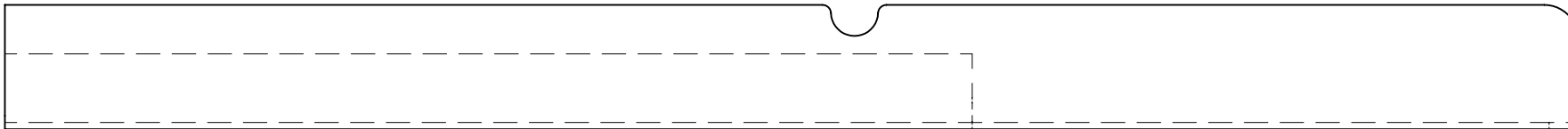
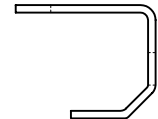
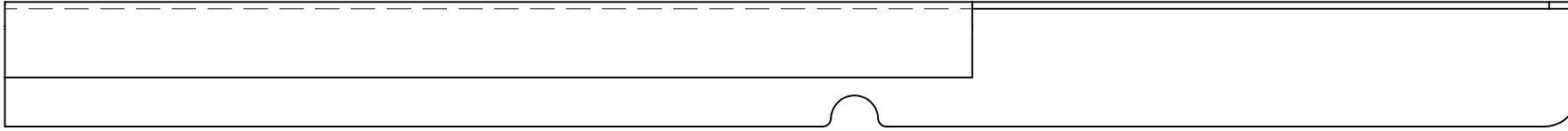
REVISION HISTORY

REV	DESCRIPTION	DATE	APPROVED



	NAME	DATE	HYDROFLOOR MANUFACTURING (PTY) LTD	
DRAWN	Dan	09/16/08	TITLE	
APPROVED				
MATERIAL				
TREATMENT				
UNLESS OTHERWISE SPECIFIED DIMENSIONS ARE IN MILLIMETERS ANGLES $\pm 0,1^\circ$			SIZE A2	DWG NO
2 PL $\pm 0,02$ 3 PL $\pm 0,005$			FILE NAME: HF-12-07-00.dft	REV
			SCALE:	WEIGHT:
			SHEET 1 OF 2	

REVISION HISTORY			
REV	DESCRIPTION	DATE	APPROVED



	NAME	DATE	HYDROFLOOR	
DRAWN	Dan	09/16/08	MANUFACTURING (PTY) LTD	
APPROVED			TITLE	
MATERIAL				
TREATMENT				
UNLESS OTHERWISE SPECIFIED DIMENSIONS ARE IN MILLIMETERS ANGLES ±0.1°			SIZE A2	DWG NO
			FILE NAME: HF-12-07-00.dft	REV
2 PL ±0.02 3 PL ±0.005			SCALE:	WEIGHT:
			SHEET 2 OF 2	