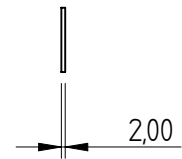
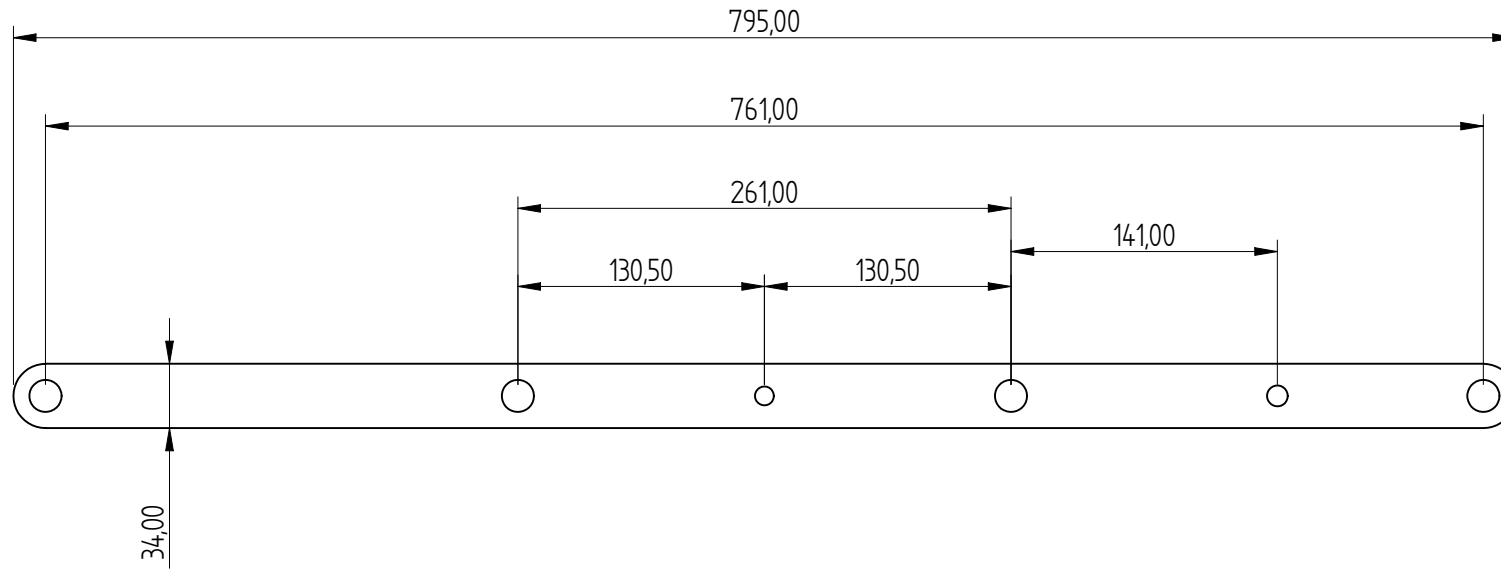
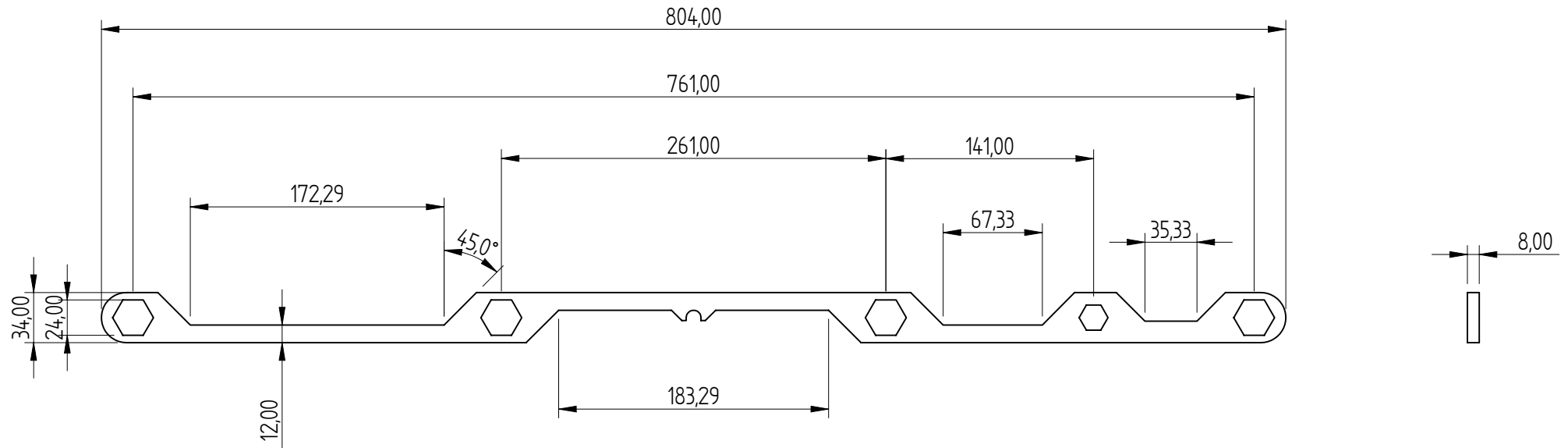


REVISION HISTORY			
REV	DESCRIPTION	DATE	APPROVED



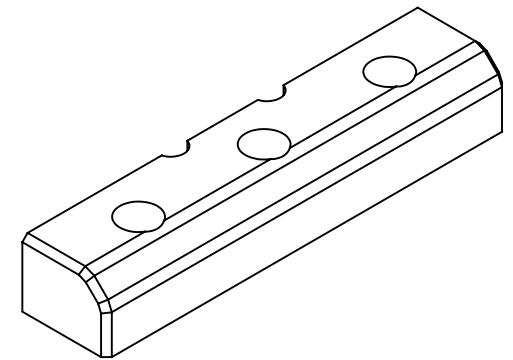
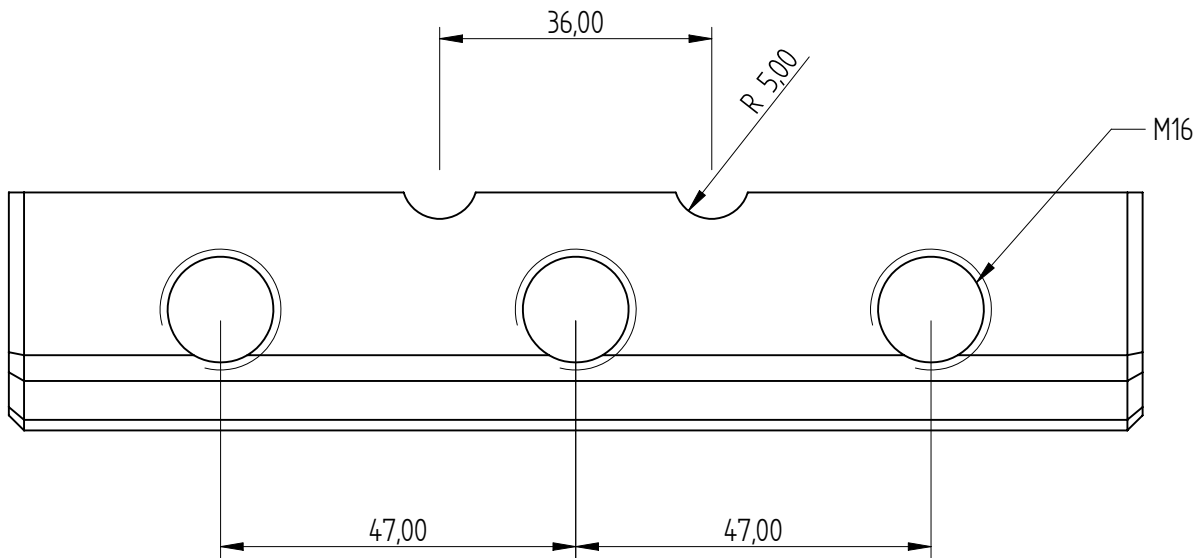
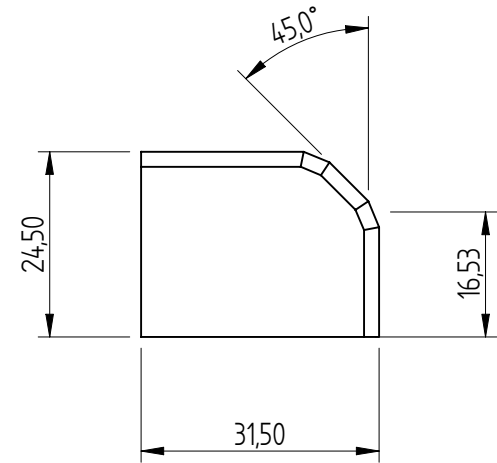
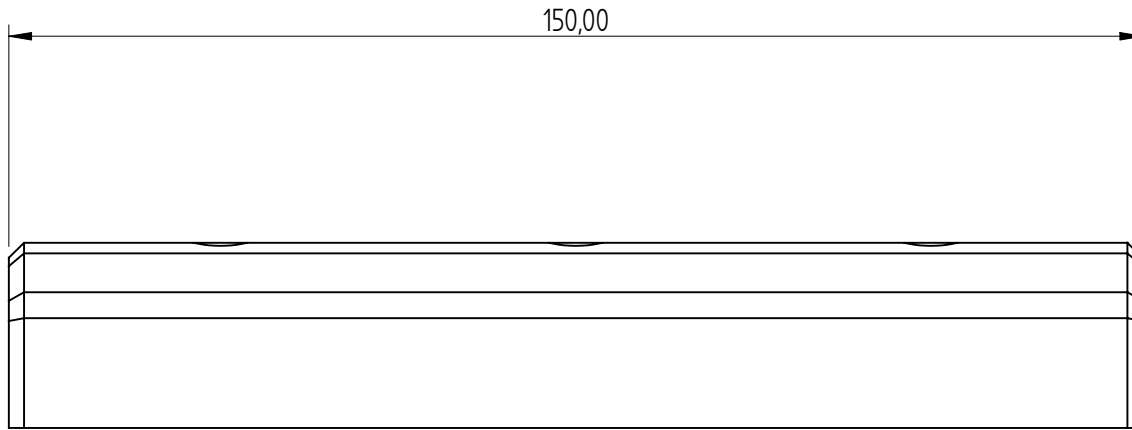
	NAME	DATE	HYDROFLOOR MANUFACTURING (PTY) LTD	
DRAWN	Dan	09/16/08	TITLE	
APPROVED				
MATERIAL				
TREATMENT				
UNLESS OTHERWISE SPECIFIED DIMENSIONS ARE IN MILLIMETERS ANGLES ±0,1°			SIZE A2	DWG NO
2 PL ±0,02 3 PL ±0,005			FILE NAME: HF-12-04-00.dft	REV
			SCALE:	WEIGHT:
			SHEET 1 OF 3	

REVISION HISTORY			
REV	DESCRIPTION	DATE	APPROVED



	NAME	DATE	HYDROFLOOR	
DRAWN	Dan	09/16/08	MANUFACTURING (PTY) LTD	
APPROVED			TITLE	
MATERIAL				
TREATMENT				
UNLESS OTHERWISE SPECIFIED DIMENSIONS ARE IN MILLIMETERS ANGLES ±0,1°			SIZE A2	DWG NO
2 PL ±0,02 3 PL ±0,005			FILE NAME: HF-12-04-00.dft	REV
			SCALE:	WEIGHT:
			SHEET 2 OF 3	

REVISION HISTORY			
REV	DESCRIPTION	DATE	APPROVED



	NAME	DATE	HYDROFLOOR MANUFACTURING (PTY) LTD	
DRAWN	Dan	09/16/08	TITLE	
APPROVED				
MATERIAL				
TREATMENT				
UNLESS OTHERWISE SPECIFIED DIMENSIONS ARE IN MILLIMETERS ANGLES ±0,1°			SIZE A2	DWG NO
2 PL ±0,02 3 PL ±0,005			FILE NAME: HF-12-04-00.dft	REV
			SCALE:	WEIGHT:
			SHEET 3 OF 3	