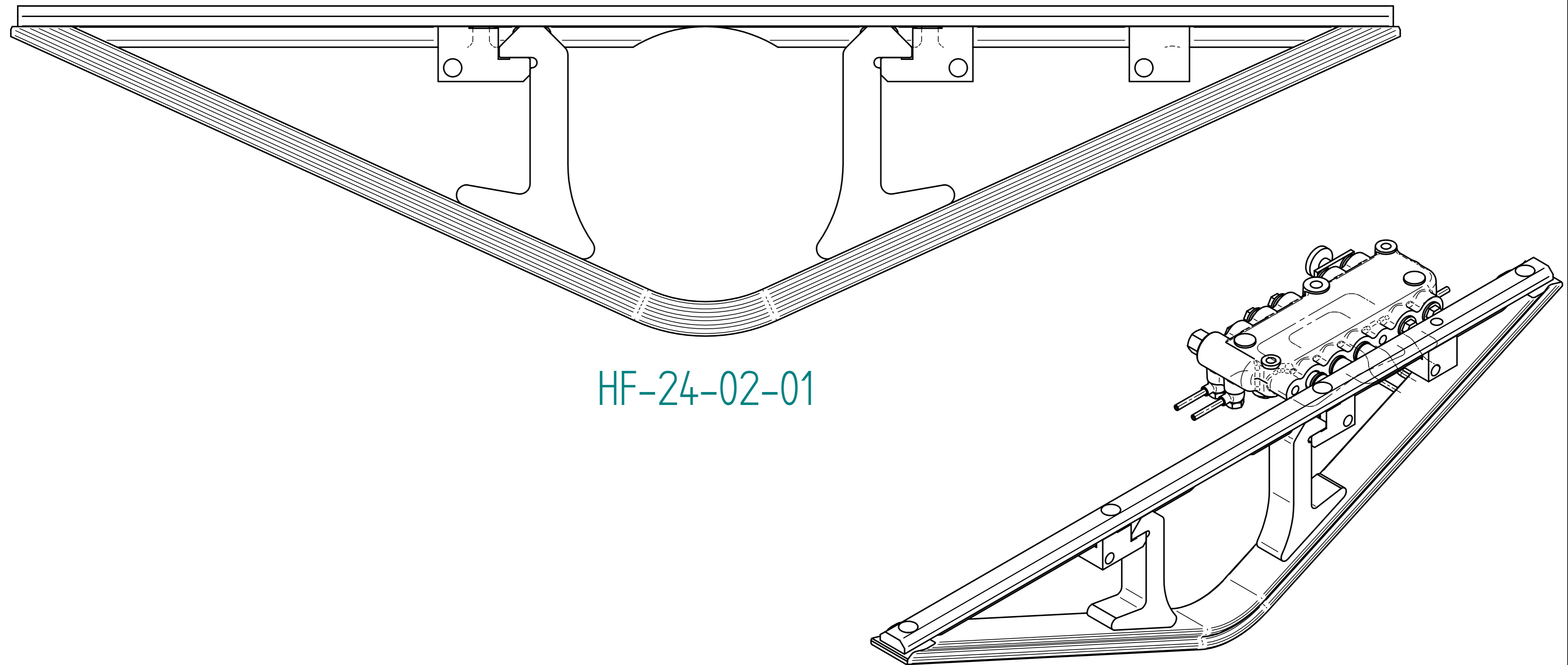



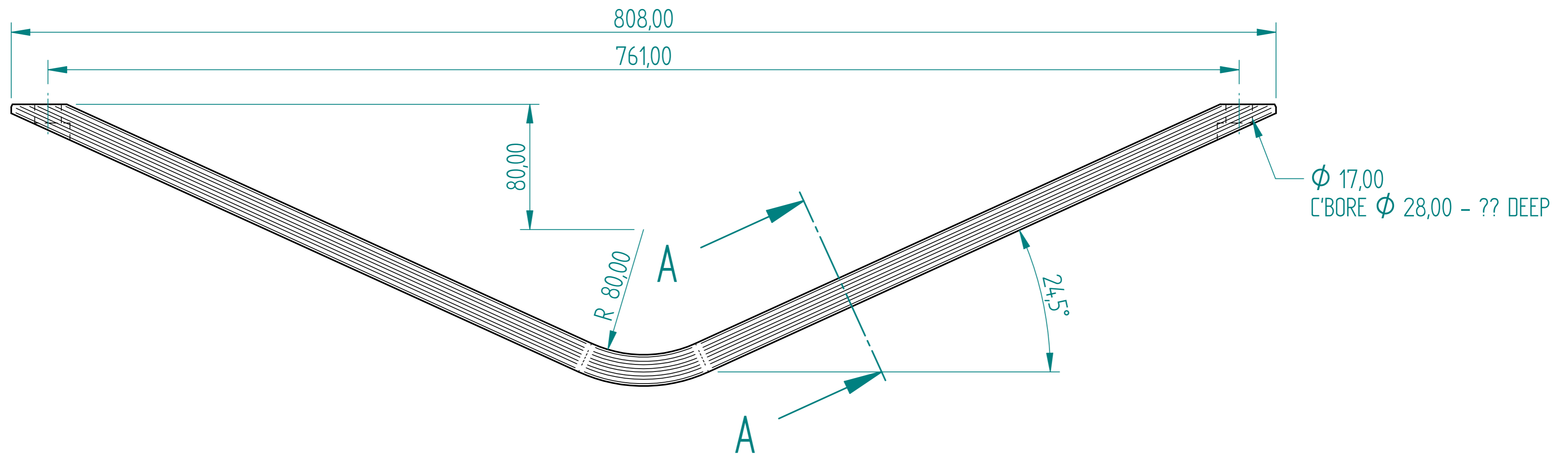
REVISION HISTORY			
REV	DESCRIPTION	DATE	APPROVED



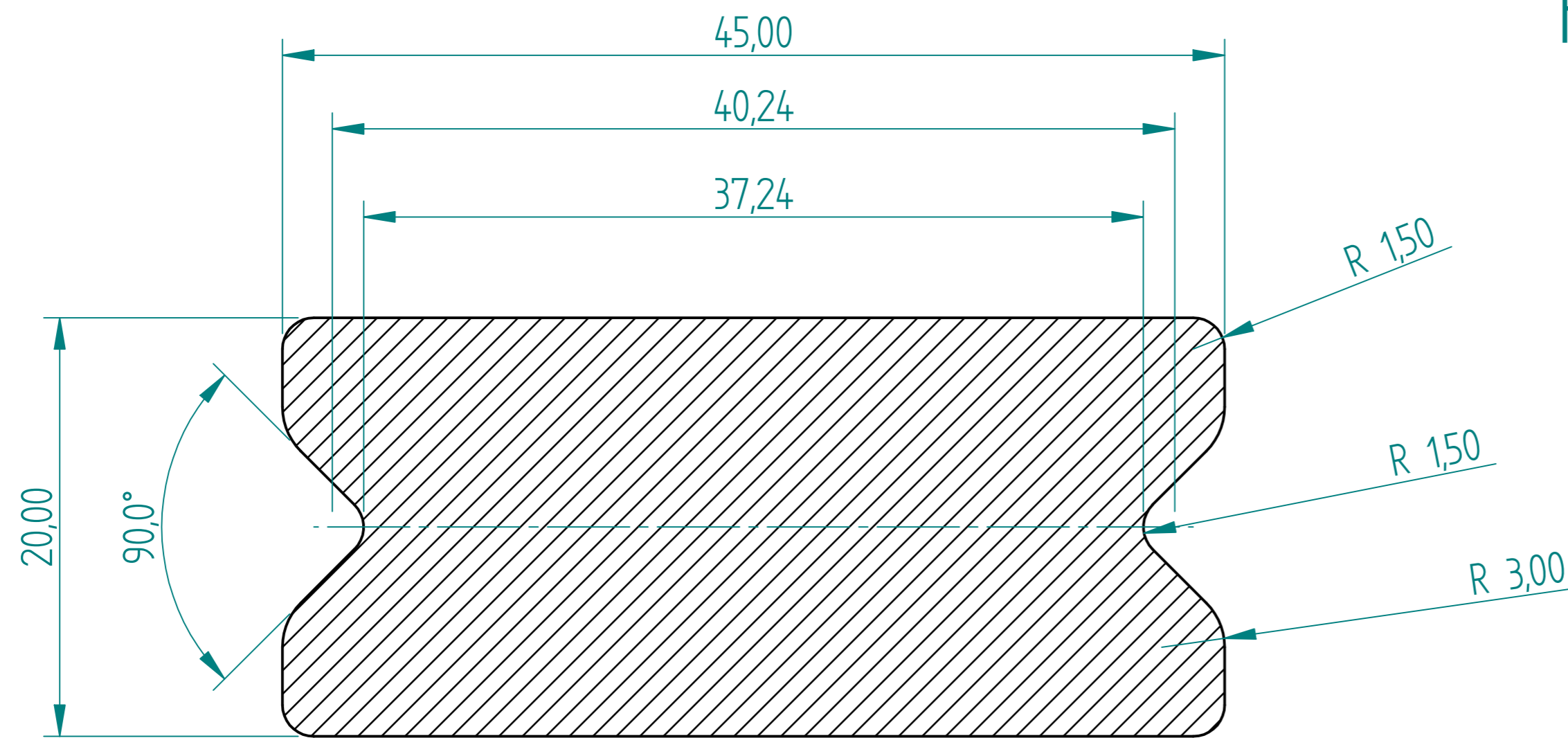
HF-24-02-01

	NAME	DATE	HYDROFLOOR	
DRAWN	Dan	03/09/09	TITLE	
APPROVED				
MATERIAL			SIZE	DWG NO
TREATMENT			A2	
UNLESS OTHERWISE SPECIFIED DIMENSIONS ARE IN MILLIMETERS			FILE NAME:	REV
1 ST ANGLE 			Rw-24-02-01.dft	
2 PL ±0.02 3 PL ±0.005			SCALE:	WEIGHT:
				SHEET 1 OF 6

REVISION HISTORY			
REV	DESCRIPTION	DATE	APPROVED



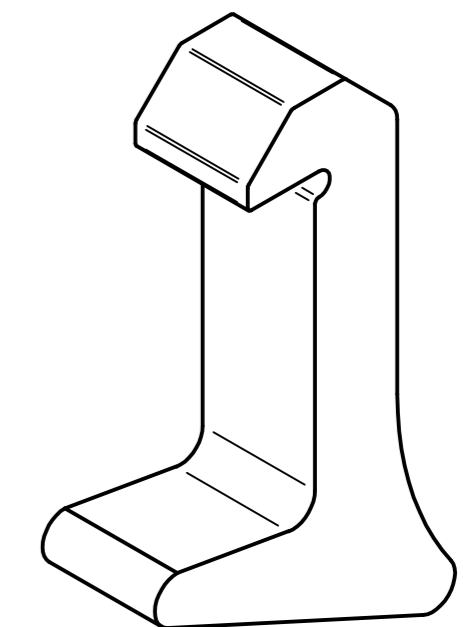
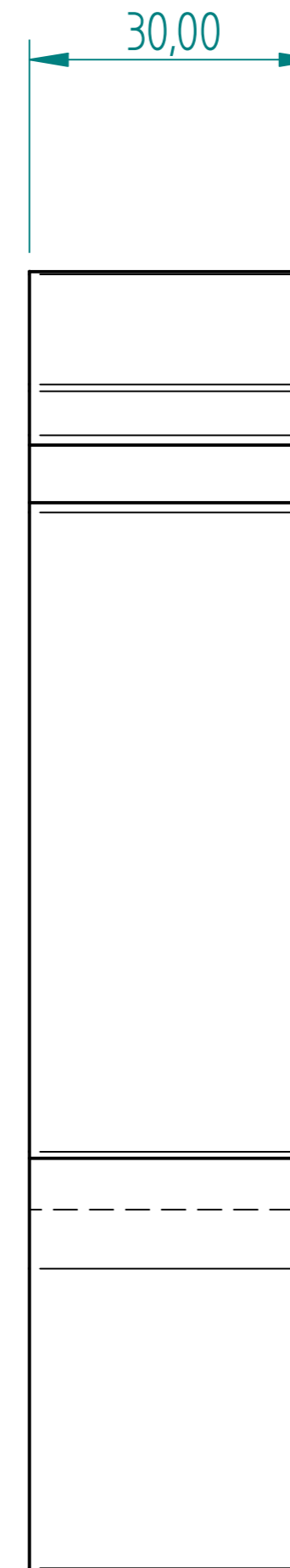
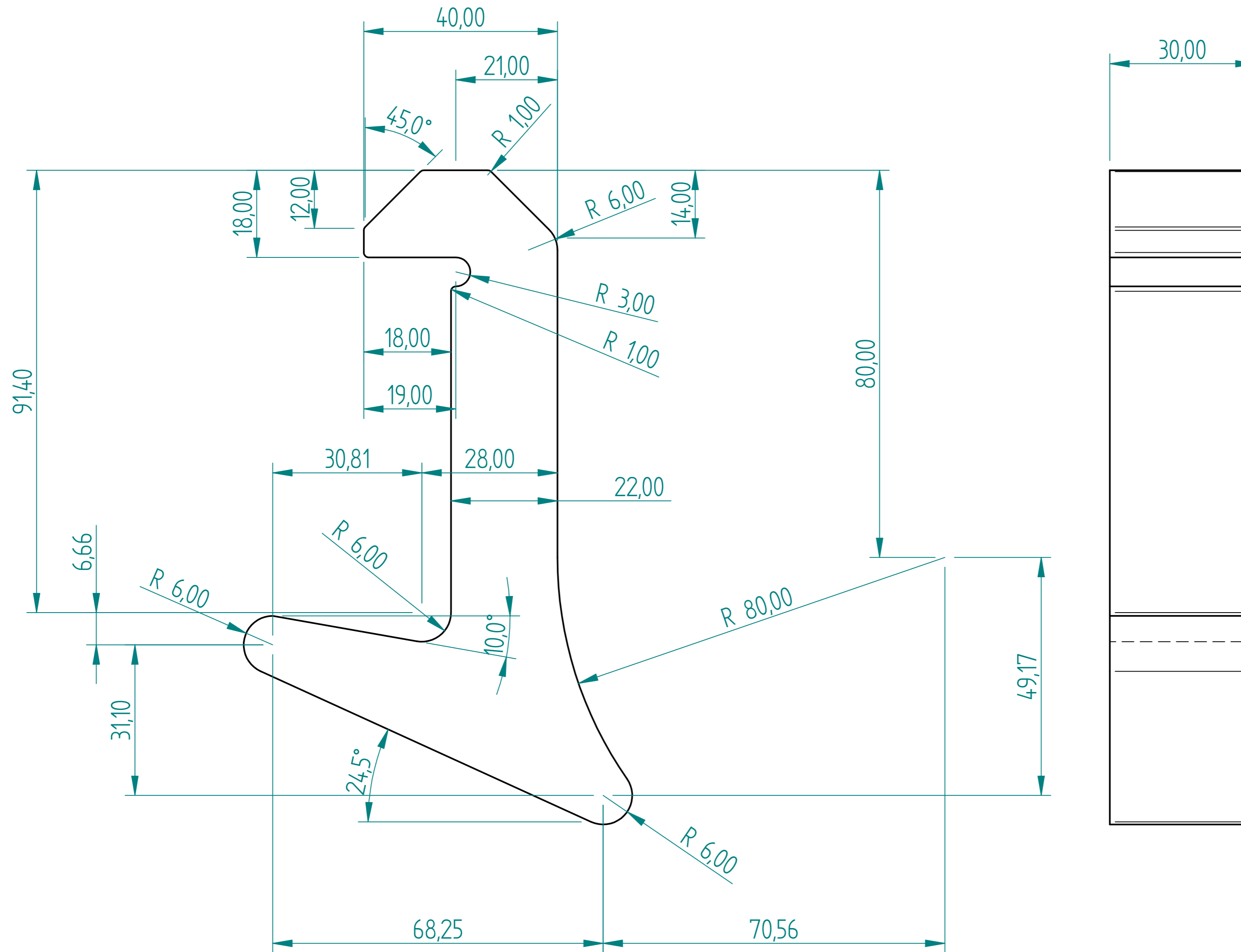
HF-24-05-01



SECTION A-A

	NAME	DATE	HYDROFLOOR	
DRAWN	Dan	03/09/09		
APPROVED				
MATERIAL			TITLE	
TREATMENT				
UNLESS OTHERWISE SPECIFIED DIMENSIONS ARE IN MILLIMETERS			SIZE A2	DWG NO
1 ST ANGLE 				REV
			FILE NAME: Rw-24-02-01.dft	
2 PL ±0.02 3 PL ±0.005			SCALE:	WEIGHT: SHEET 2 OF 6

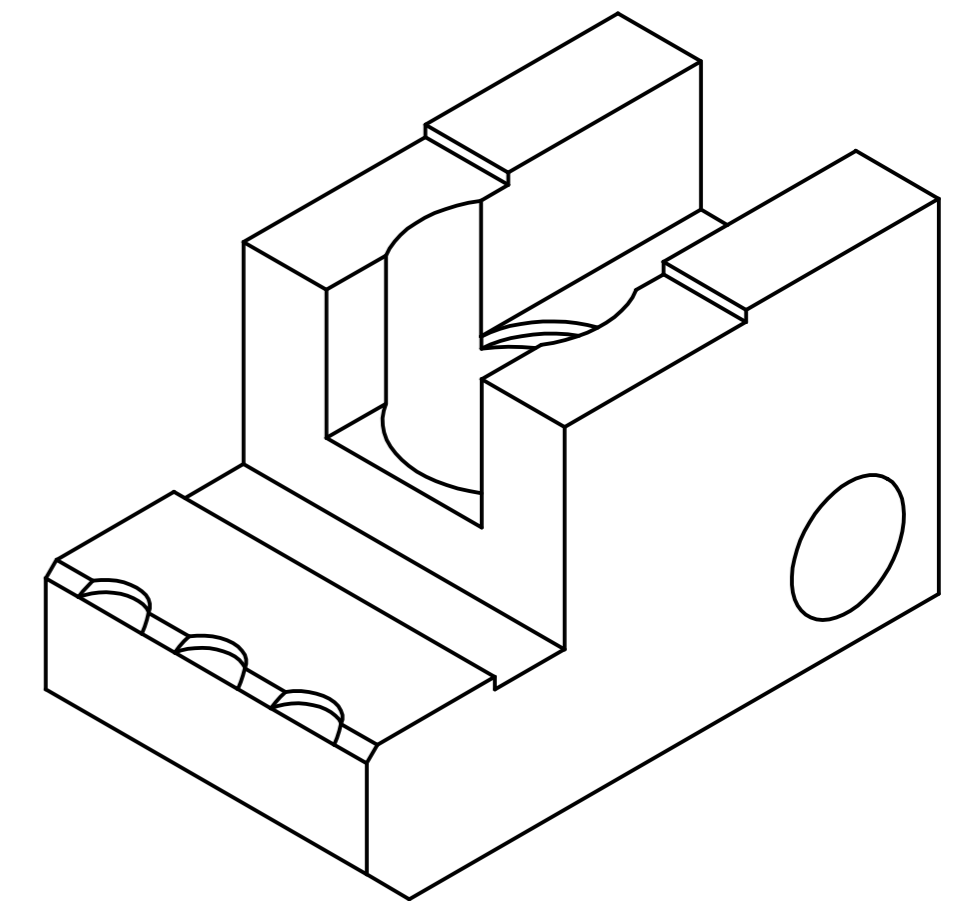
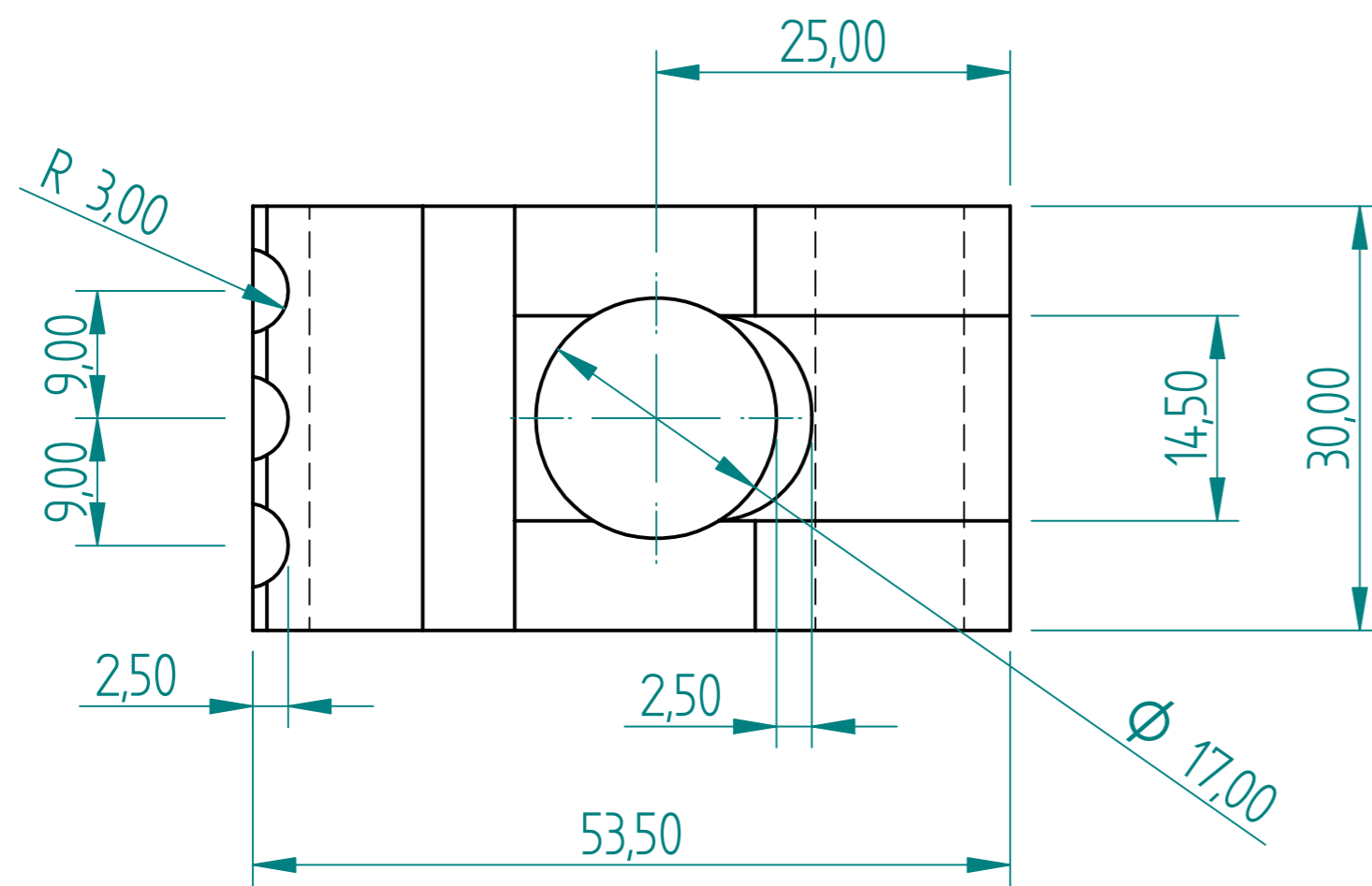
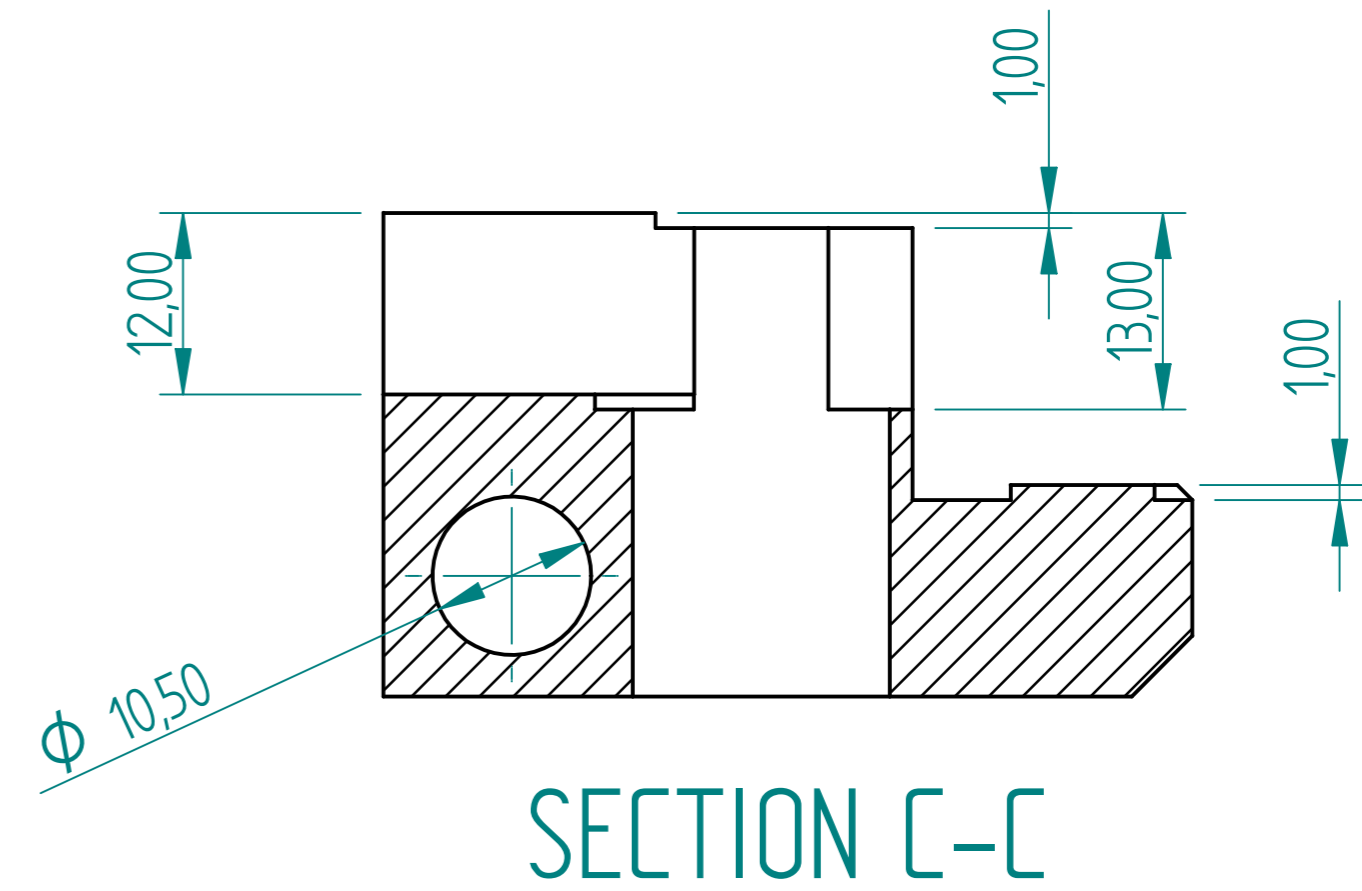
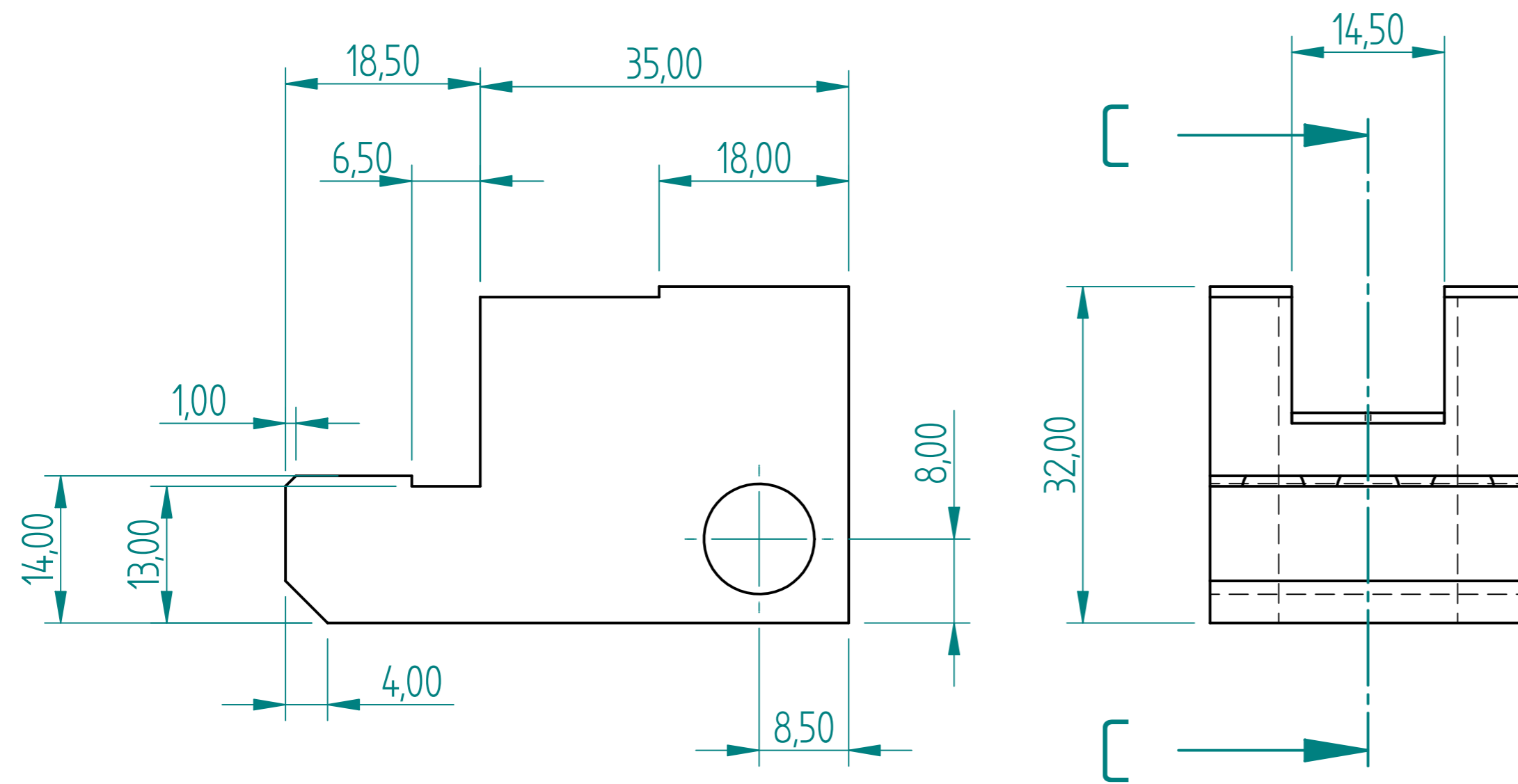
REVISION HISTORY			
REV	DESCRIPTION	DATE	APPROVED



HF-24-03-02

	NAME	DATE	HYDROFLOOR	
DRAWN	Dan	03/09/09		
APPROVED				
MATERIAL			TITLE	
TREATMENT				
UNLESS OTHERWISE SPECIFIED DIMENSIONS ARE IN MILLIMETERS			SIZE A2	DWG NO
1 ST ANGLE				REV
			FILE NAME: Rw-24-02-01.dft	
2 PL ±0.02 3 PL ±0.005			SCALE:	WEIGHT: SHEET 3 OF 6

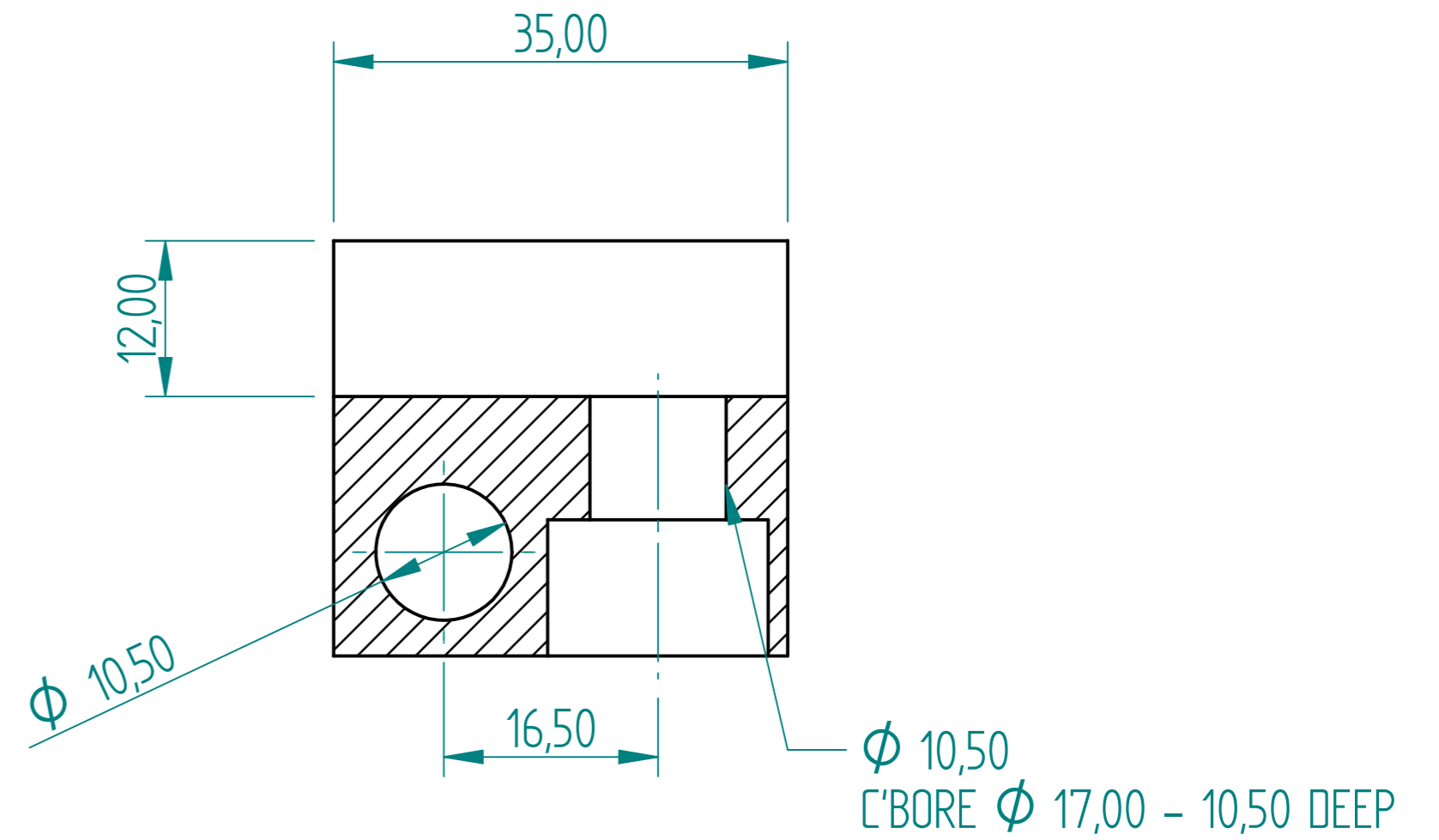
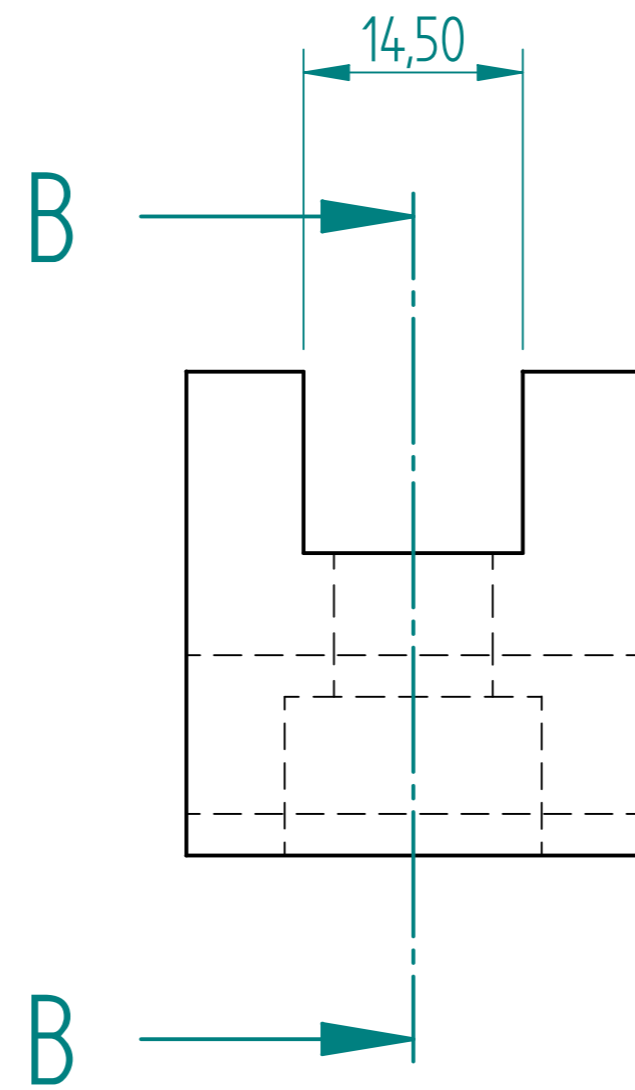
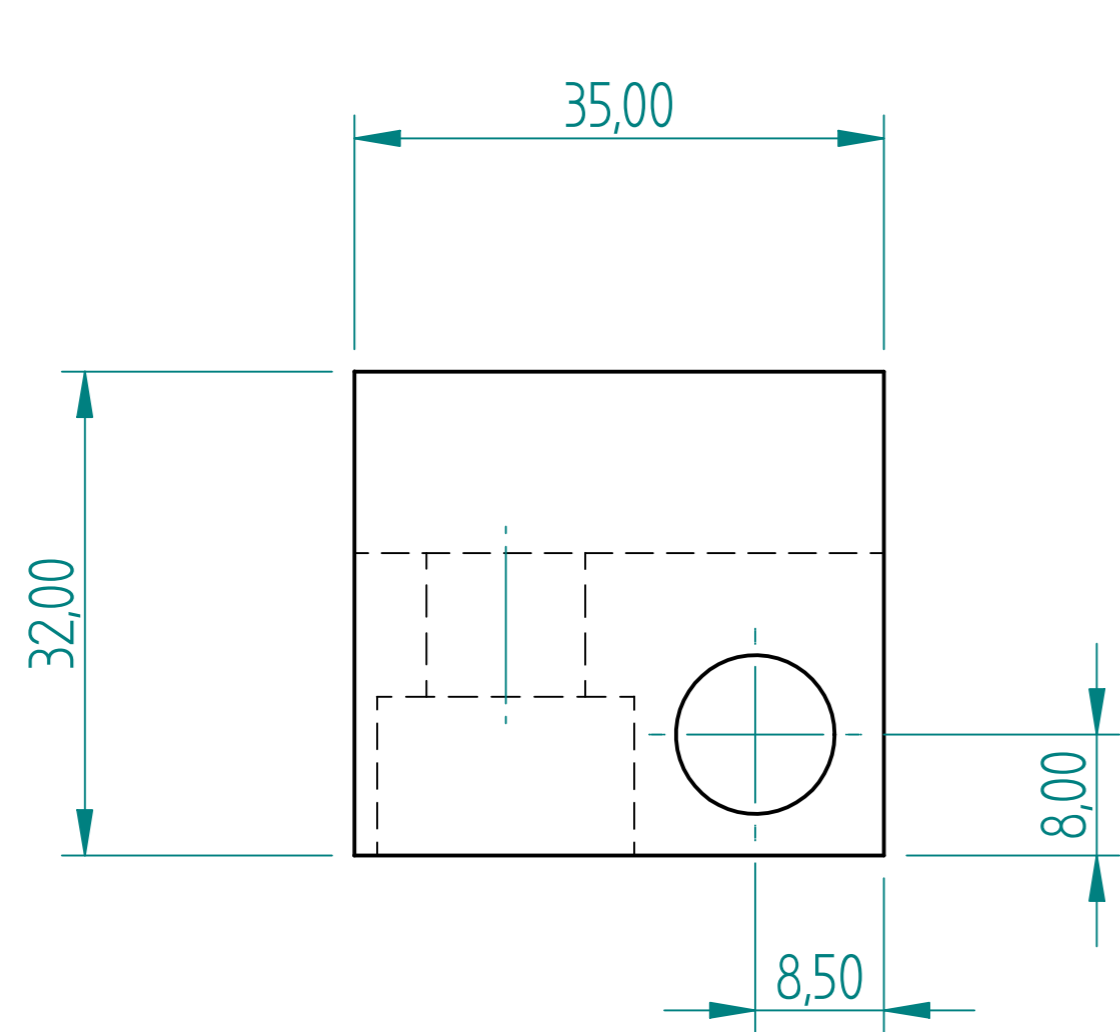
REVISION HISTORY			
REV	DESCRIPTION	DATE	APPROVED



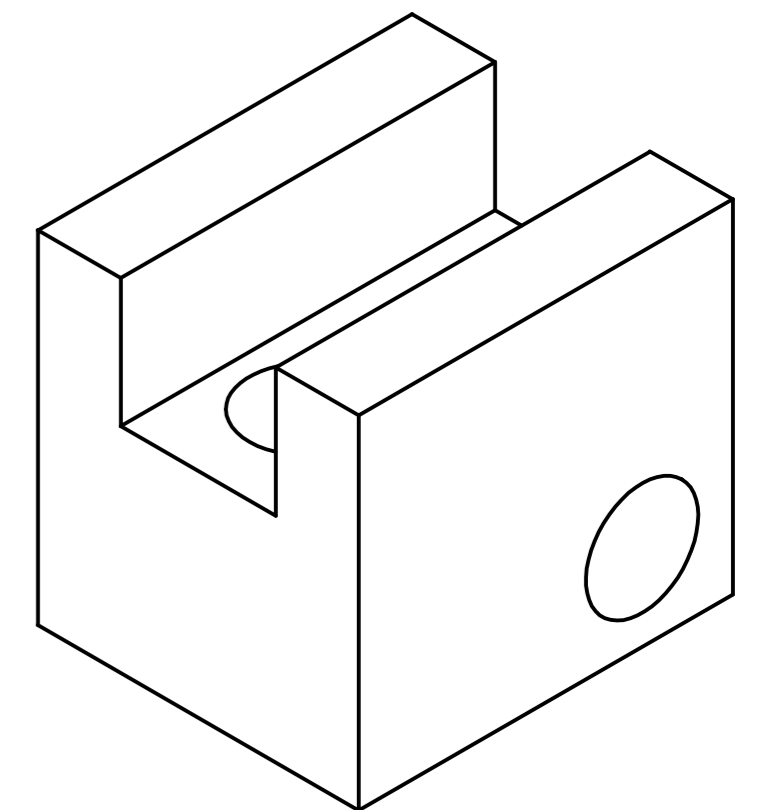
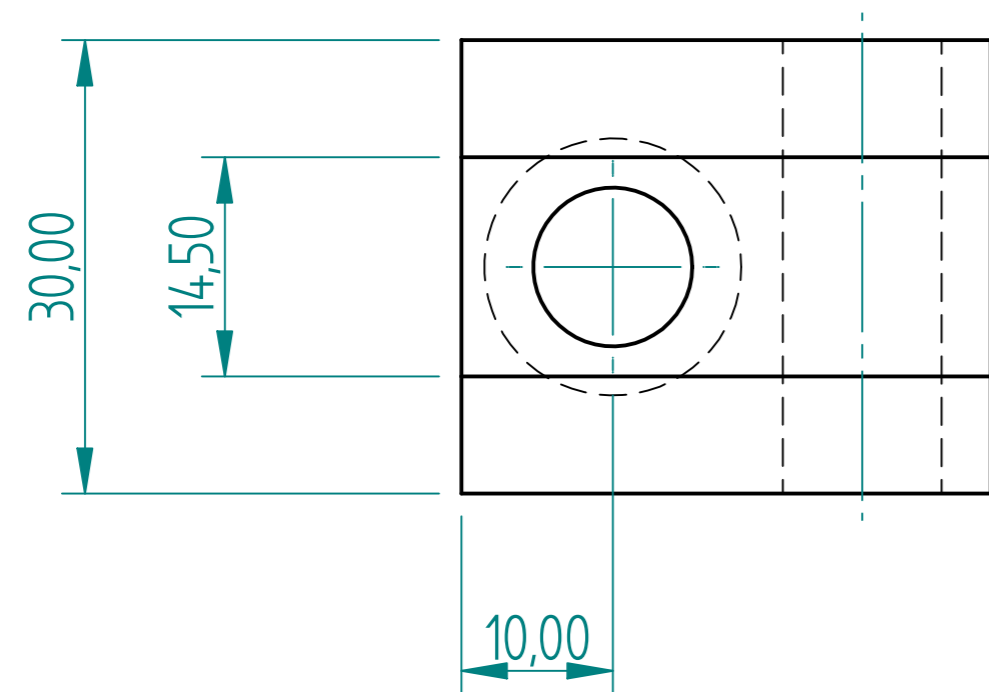
HF-24-07-00

	NAME	DATE	HYDROFLOOR	
DRAWN	Dan	03/09/09		
APPROVED				
MATERIAL			TITLE	
TREATMENT				
UNLESS OTHERWISE SPECIFIED DIMENSIONS ARE IN MILLIMETERS ANGLES $\pm 0,1^\circ$			SIZE A2	DWG NO
1 ST ANGLE			FILE NAME: RW-24-02-01.dft	REV
2 PL $\pm 0,02$ 3 PL $\pm 0,005$			SCALE:	WEIGHT:
				SHEET 4 OF 6

REVISION HISTORY			
REV	DESCRIPTION	DATE	APPROVED



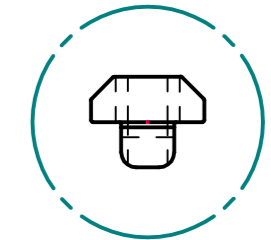
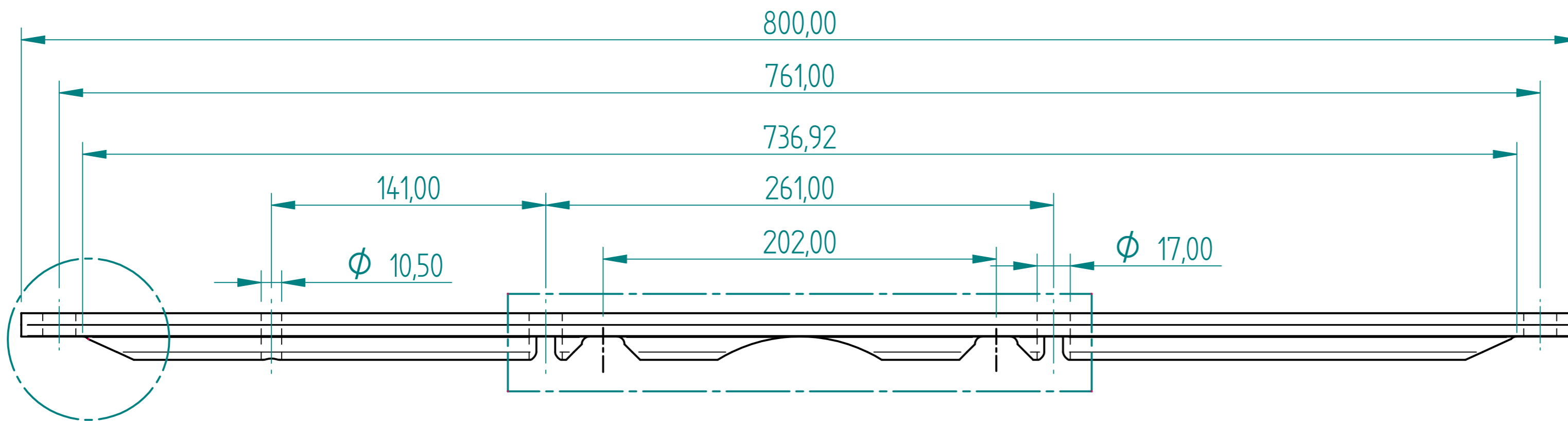
SECTION B-B



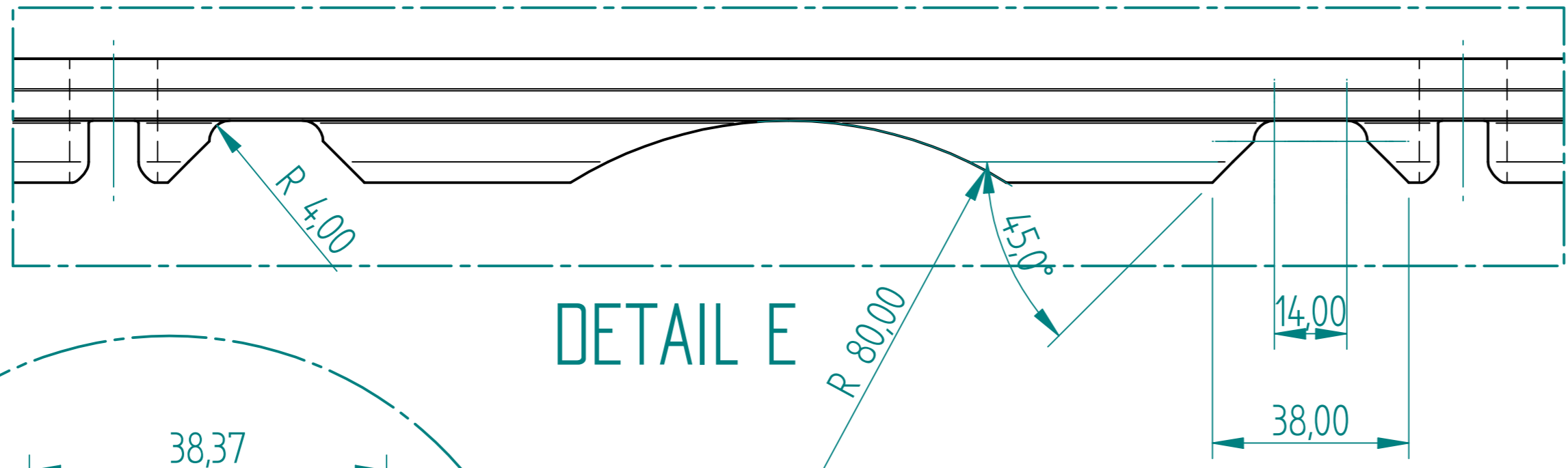
HF-24-08-00

	NAME	DATE	HYDROFLOOR	
DRAWN	Dan	03/09/09		
APPROVED				
MATERIAL				
TREATMENT				
UNLESS OTHERWISE SPECIFIED DIMENSIONS ARE IN MILLIMETERS ANGLES $\pm 0,1^\circ$			SIZE A2	DWG NO
1 ST ANGLE			FILE NAME: RW-24-02-01.dft	REV
2 PL $\pm 0,02$ 3 PL $\pm 0,005$			SCALE:	WEIGHT: SHEET 5 OF 6

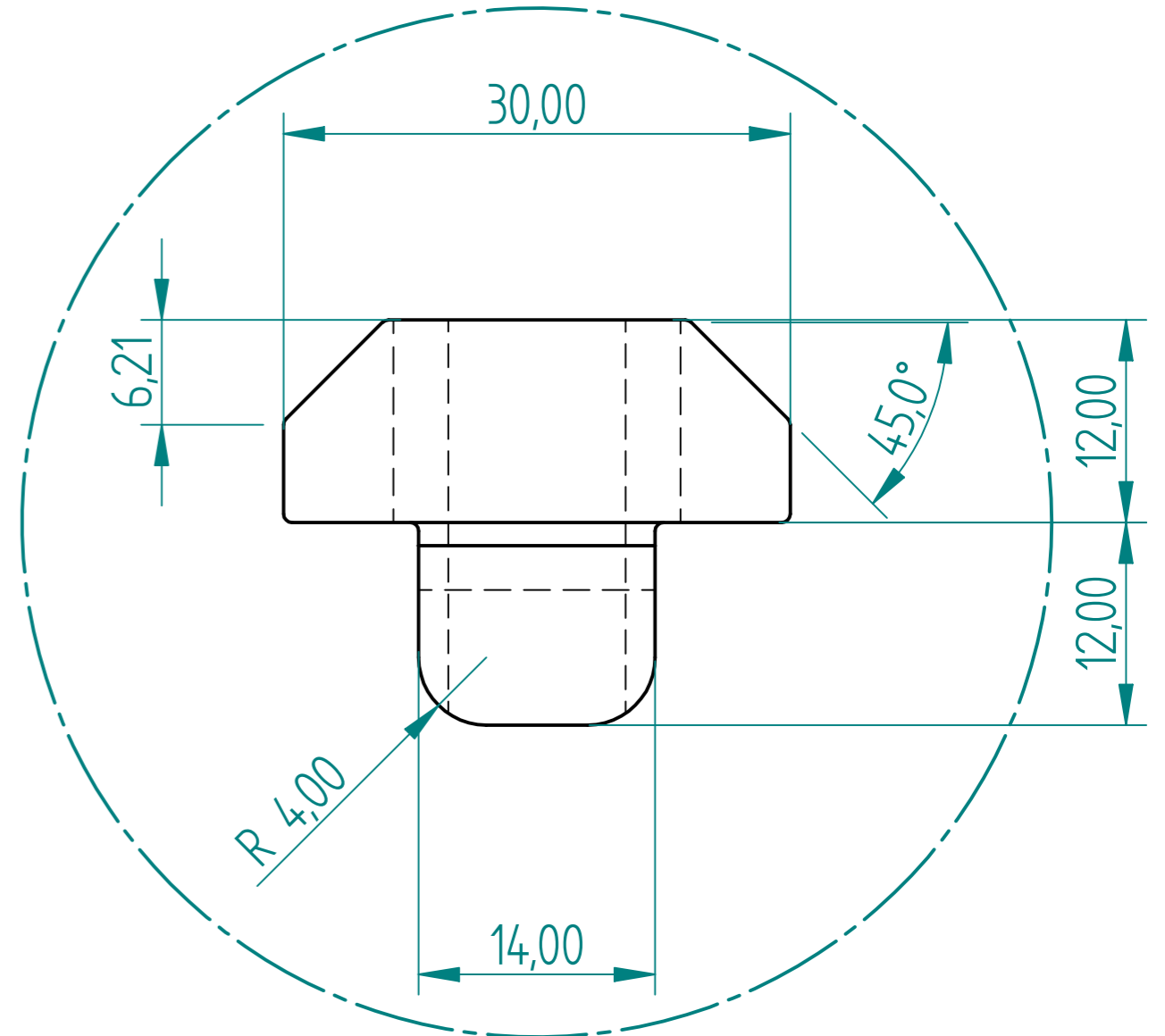
REVISION HISTORY			
REV	DESCRIPTION	DATE	APPROVED



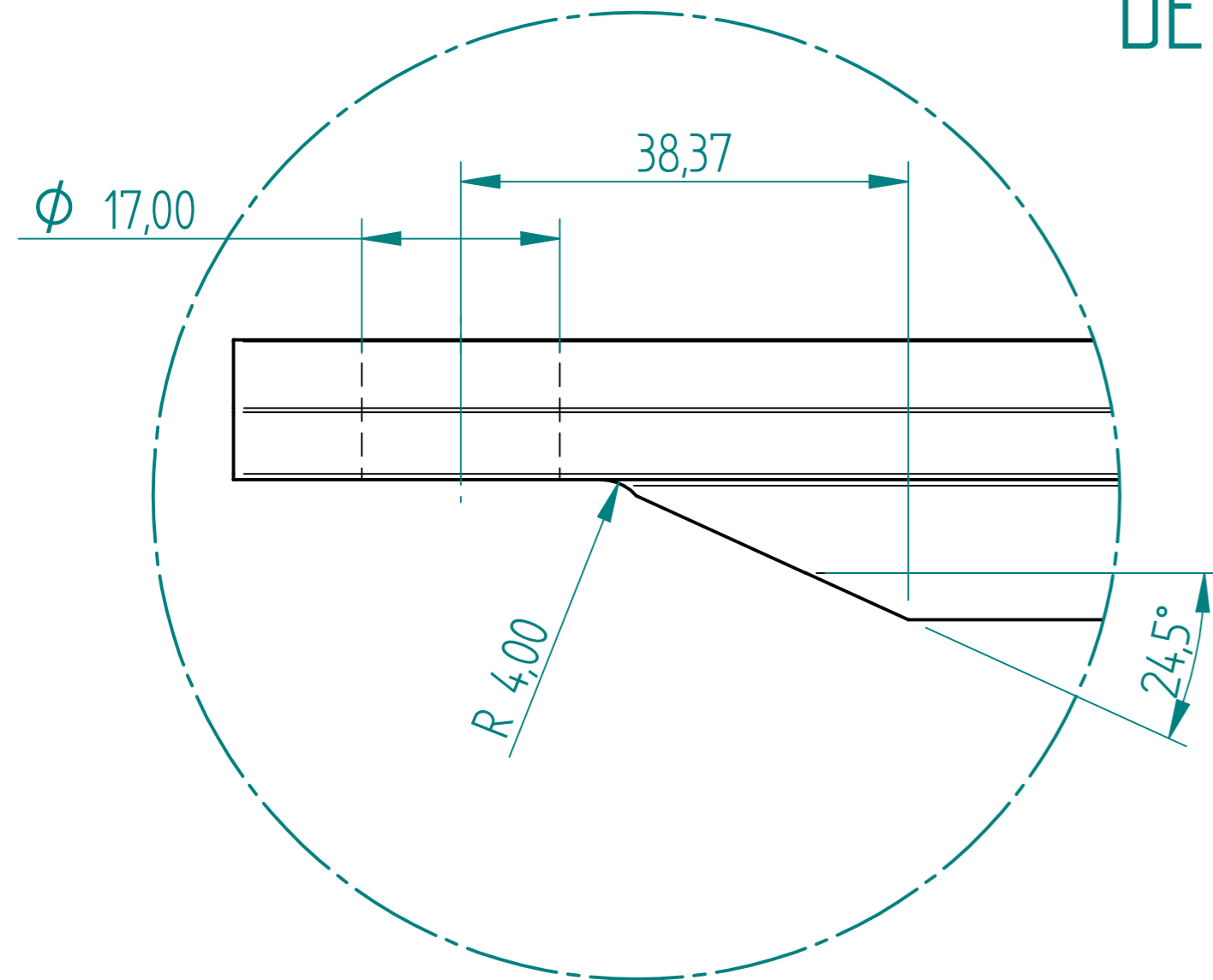
D



DETAIL E



DETAIL D



DETAIL F

HF-24-01-01

NAME	DATE	HYDROFLOOR	
DRAWN: Dan	03/09/09	TITLE	
APPROVED		SIZE: A2	DWG NO:
MATERIAL		UNLESS OTHERWISE SPECIFIED	
TREATMENT		DIMENSIONS ARE IN MILLIMETERS	
		ANGLES ±0,1°	
		2 PL ±0,02 3 PL ±0,005	
		SCALE:	WEIGHT:
			SHEET 6 OF 6