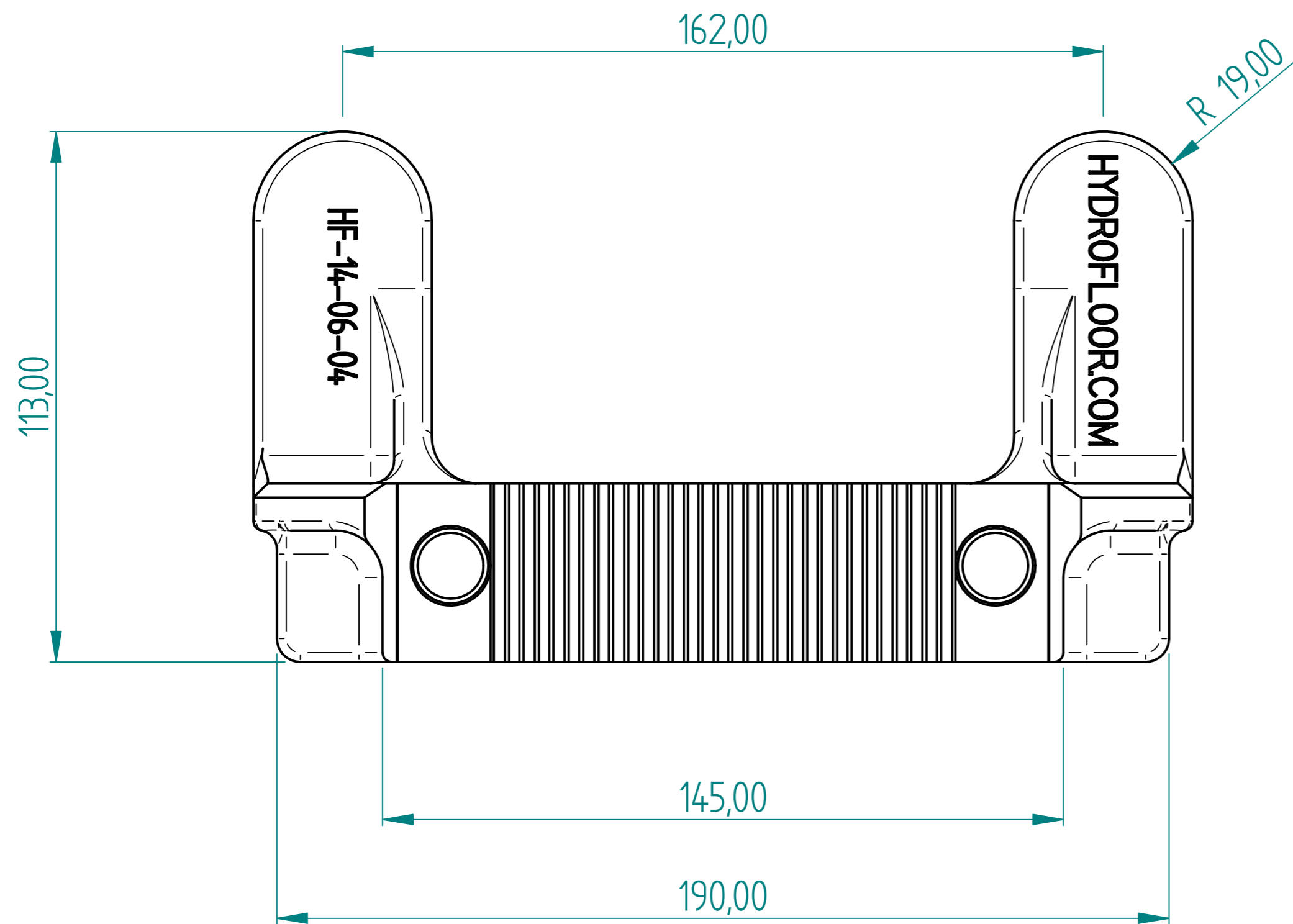
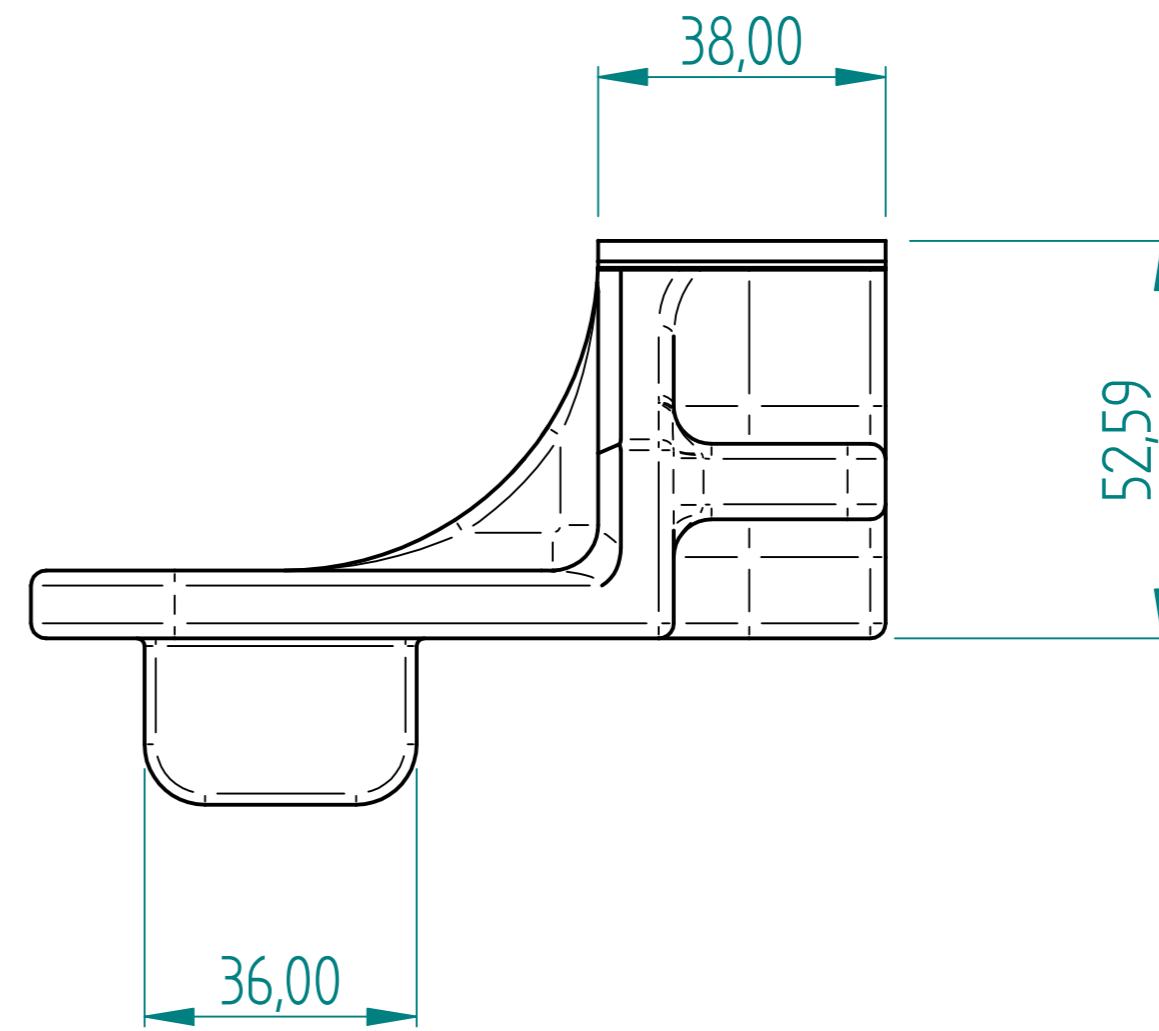
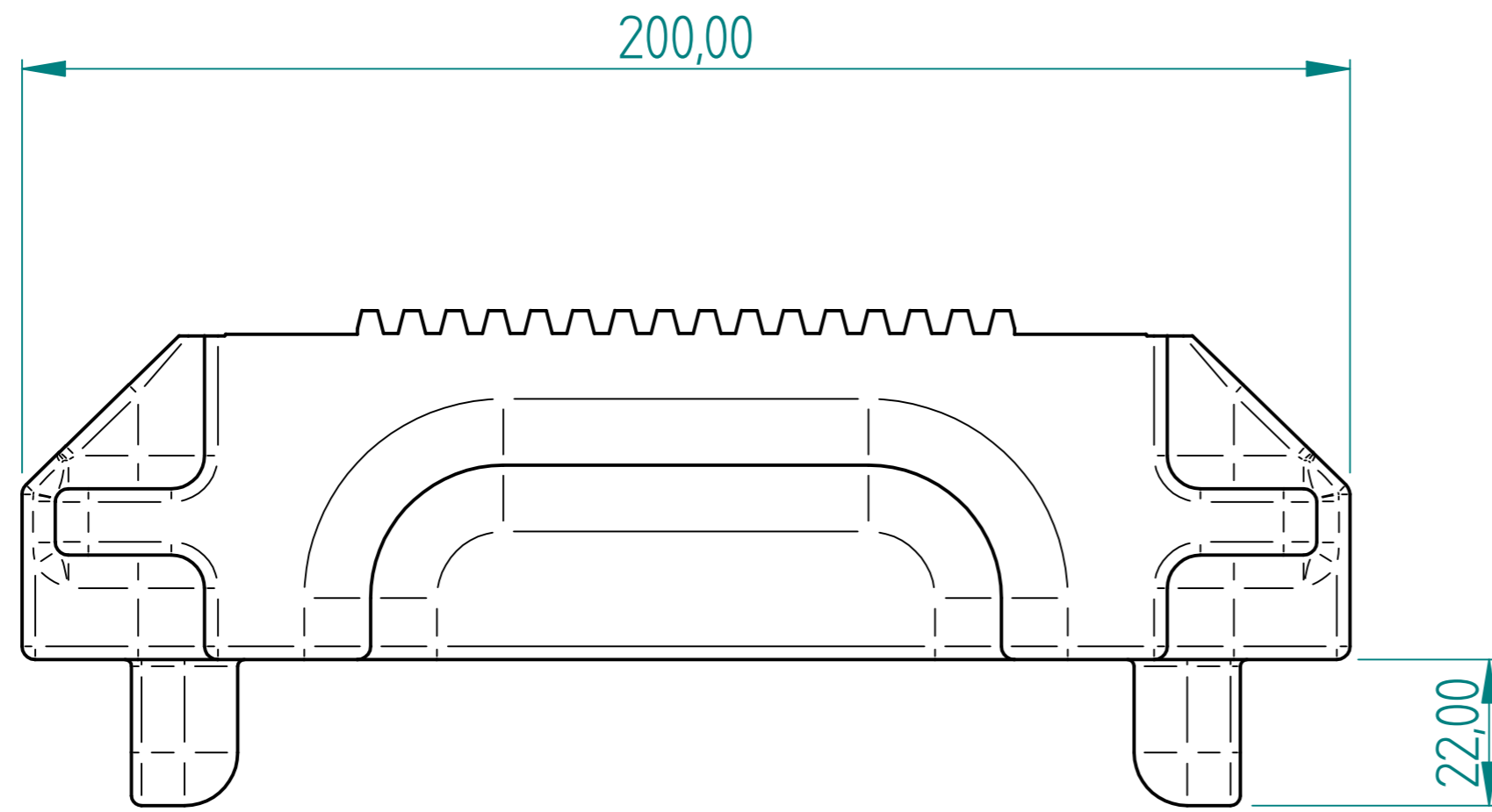


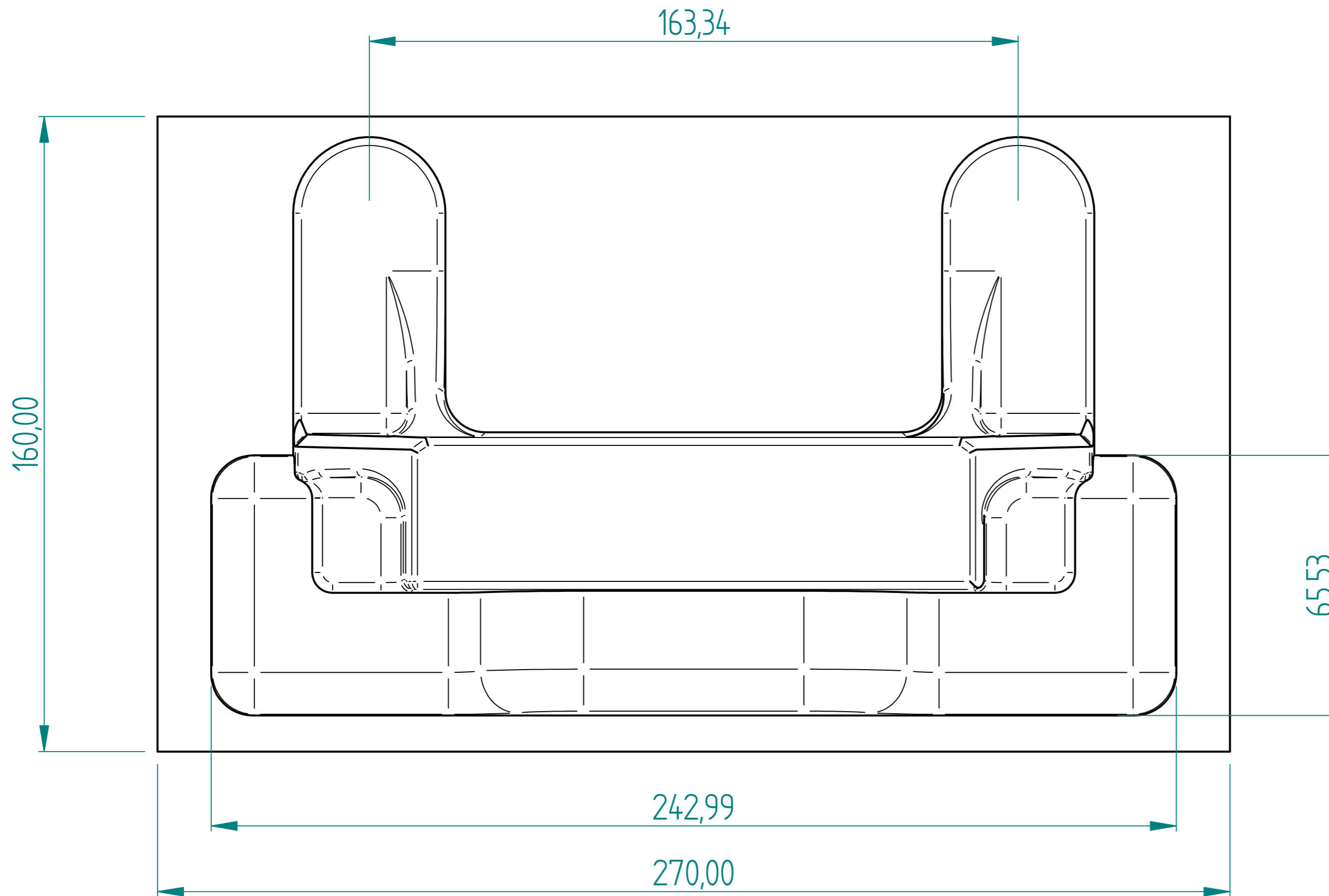
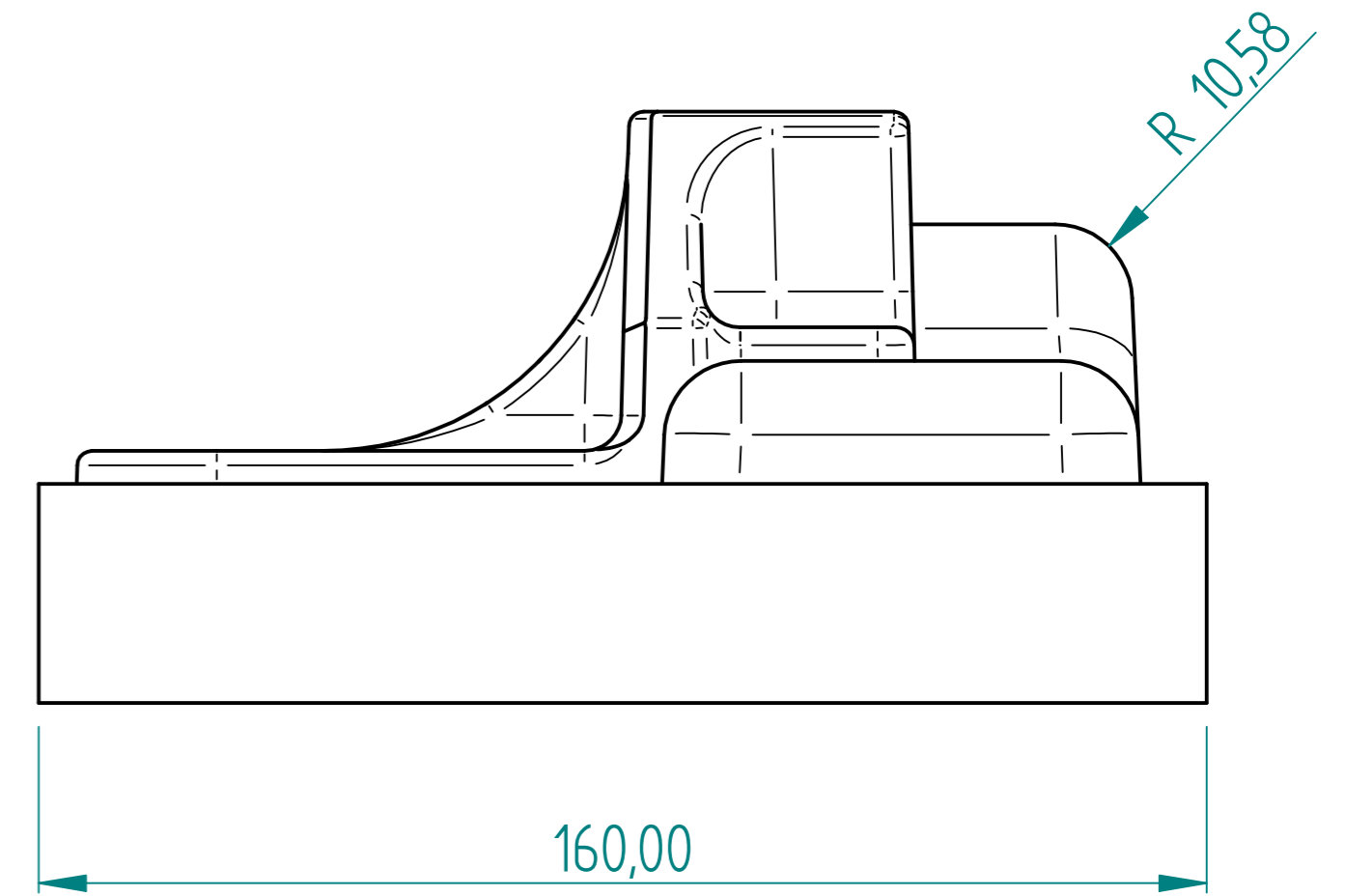
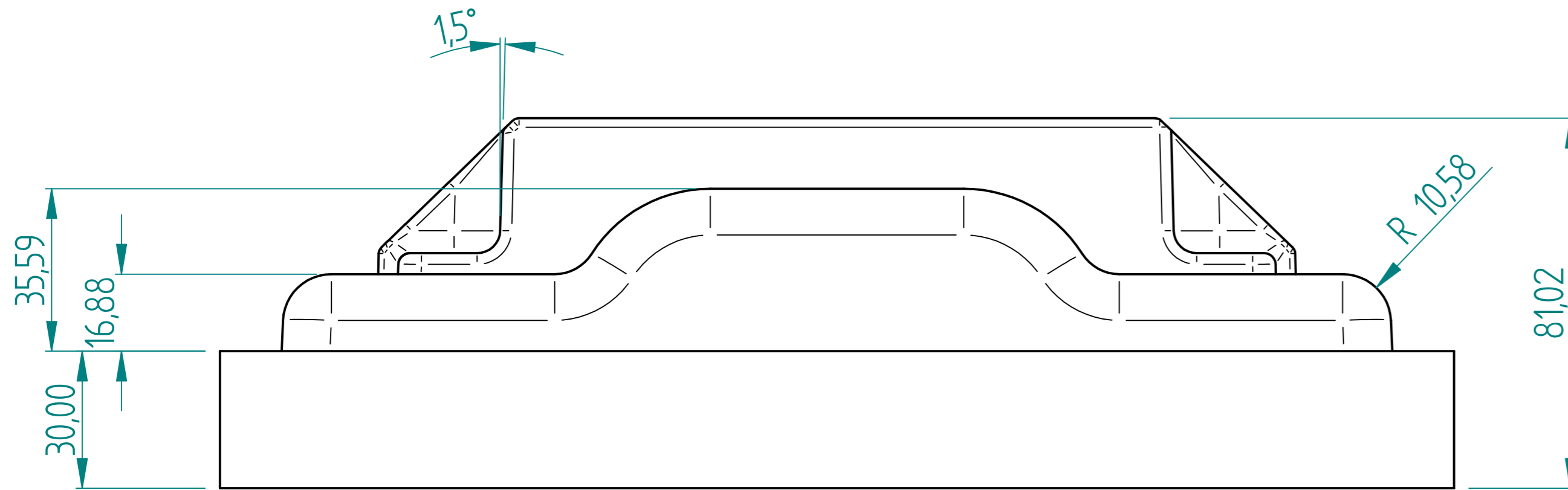
REVISION HISTORY			
REV	DESCRIPTION	DATE	APPROVED



RW-14-06-04

	NAME	DATE	PREMAC	
DRAWN	Dan	03/22/10		
APPROVED				
MATERIAL				
TREATMENT			TITLE	
UNLESS OTHERWISE SPECIFIED DIMENSIONS ARE IN MILLIMETERS			SIZE A4	DWG NO
1st ANGLE ANGLES ±0.1°			FILE NAME: RW-14-06-04 Pattern.dft	
2 PL ±0.02 3 PL ±0.005			SCALE:	WEIGHT:
			SHEET 1 OF 3	

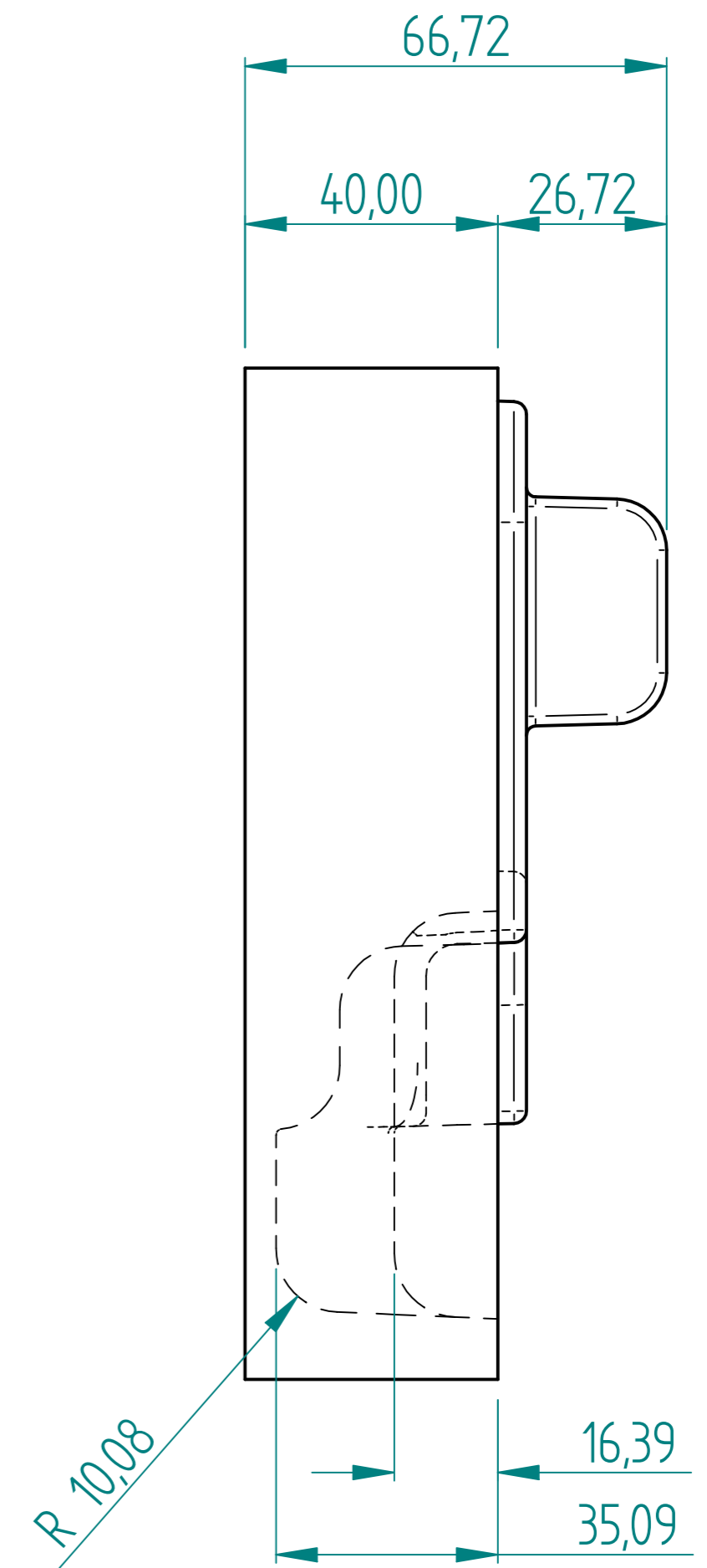
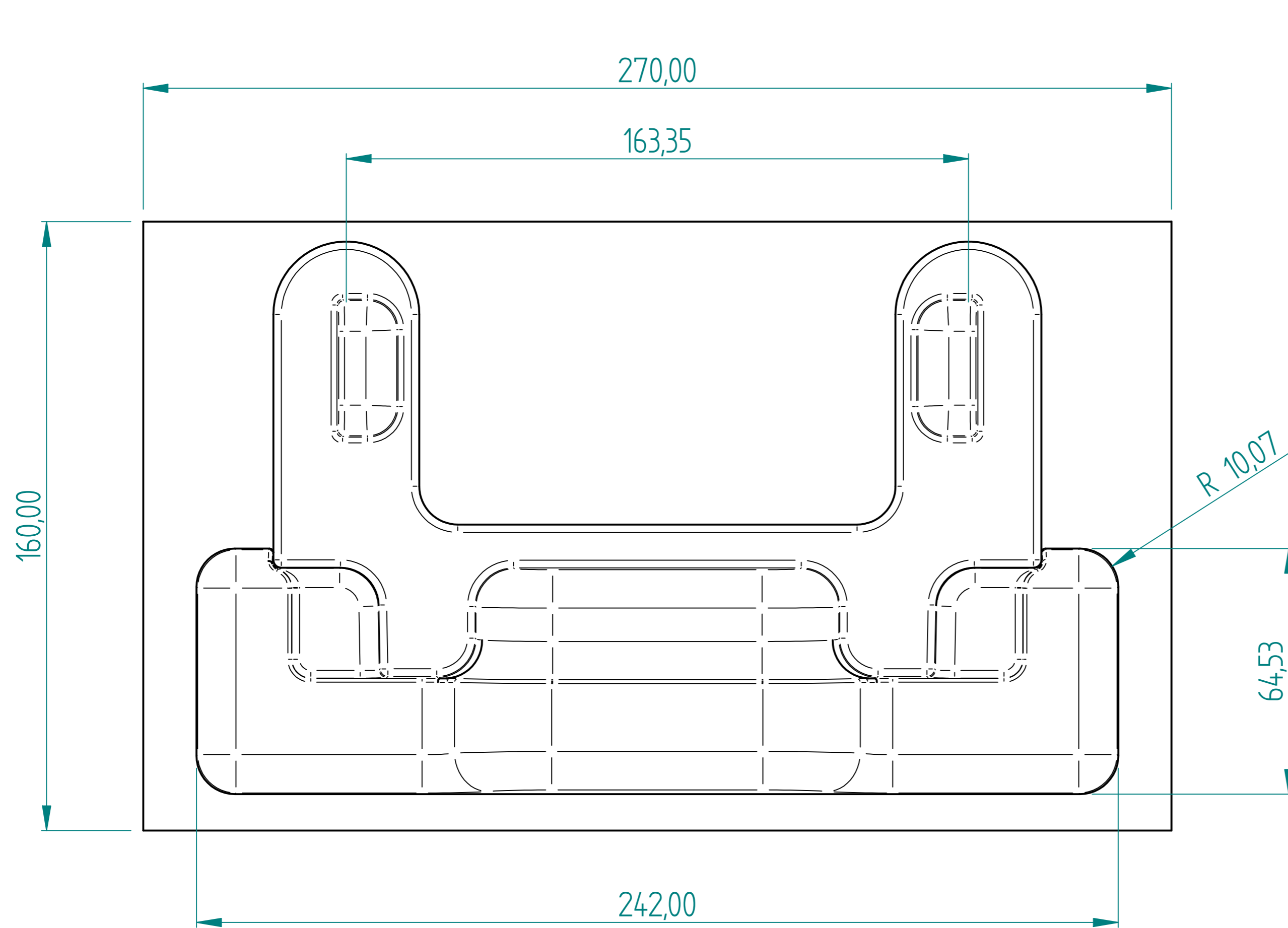
REVISION HISTORY			
REV	DESCRIPTION	DATE	APPROVED



RW-14-06-04 PATTERN A

DRAWN	NAME	DATE	PREMAC	
APPROVED	Dan	03/22/10	TITLE	
MATERIAL			SIZE	DWG NO
TREATMENT			A4	REV
UNLESS OTHERWISE SPECIFIED DIMENSIONS ARE IN MILLIMETERS			FILE NAME: RW-14-06-04 Pattern.dft	
1st ANGLE ANGLES ±0.1°			SCALE:	WEIGHT:
2 PL ±0.02 3 PL ±0.005			SHEET 2 OF 3	

REVISION HISTORY			
REV	DESCRIPTION	DATE	APPROVED



RW-14-06-04 PATTERN B

	NAME	DATE	PREMAC	
DRAWN	Dan	03/22/10		
APPROVED				
MATERIAL				
TREATMENT			TITLE	
UNLESS OTHERWISE SPECIFIED DIMENSIONS ARE IN MILLIMETERS			SIZE A4	DWG NO
1st ANGLE ANGLES ±0.1°			FILE NAME: RW-14-06-04 Pattern.dft	
2 PL ±0.02 3 PL ±0.005			SCALE:	WEIGHT:
			SHEET 3 OF 3	