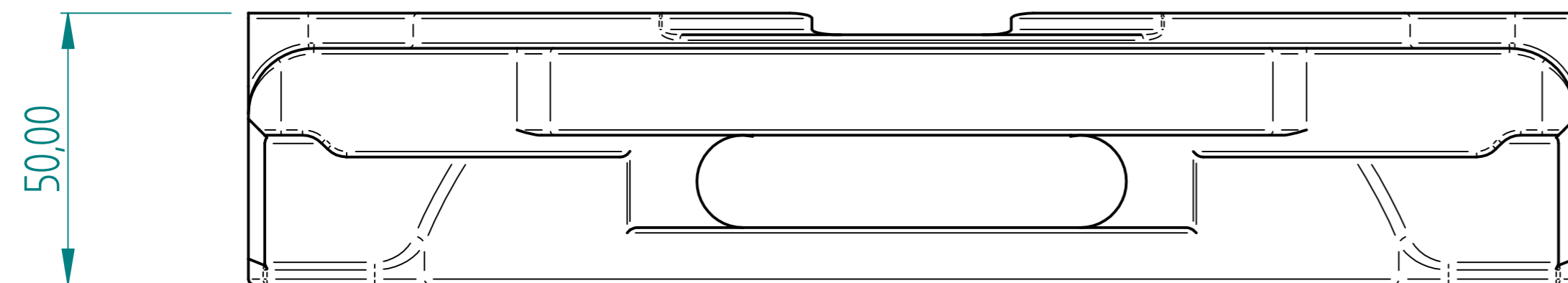
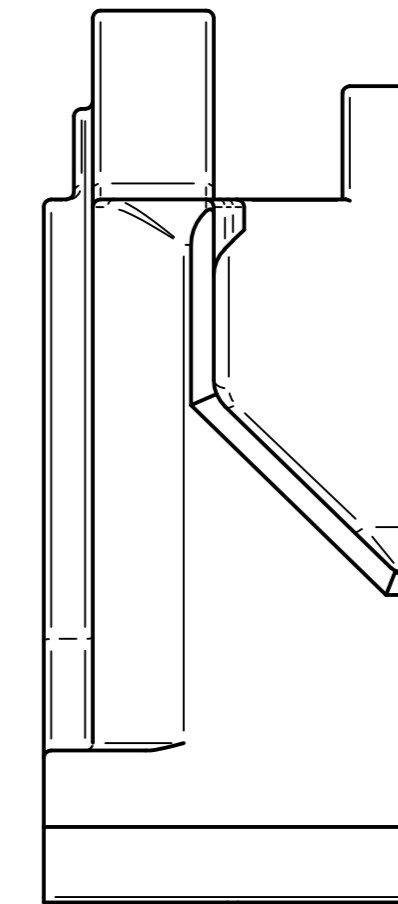
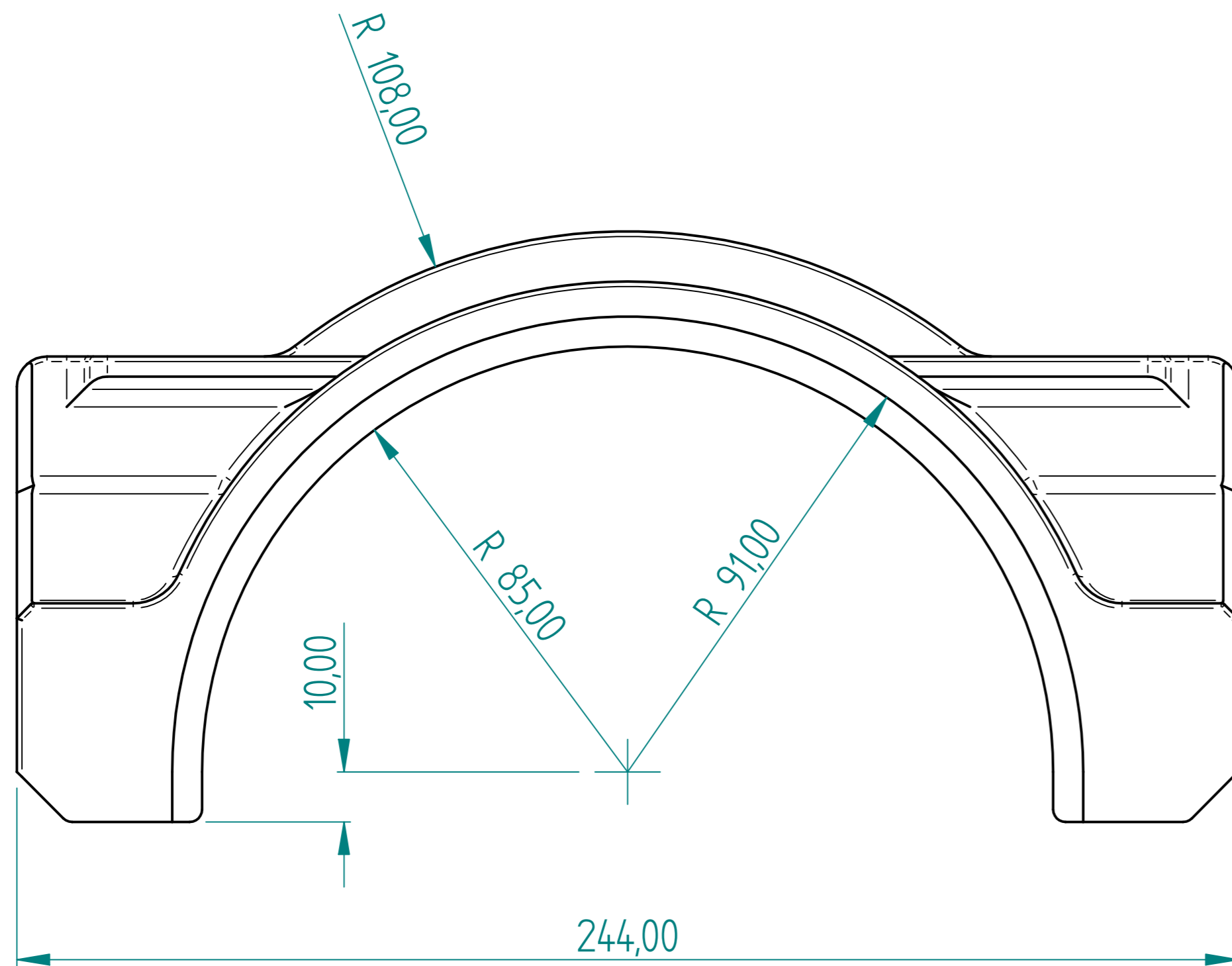


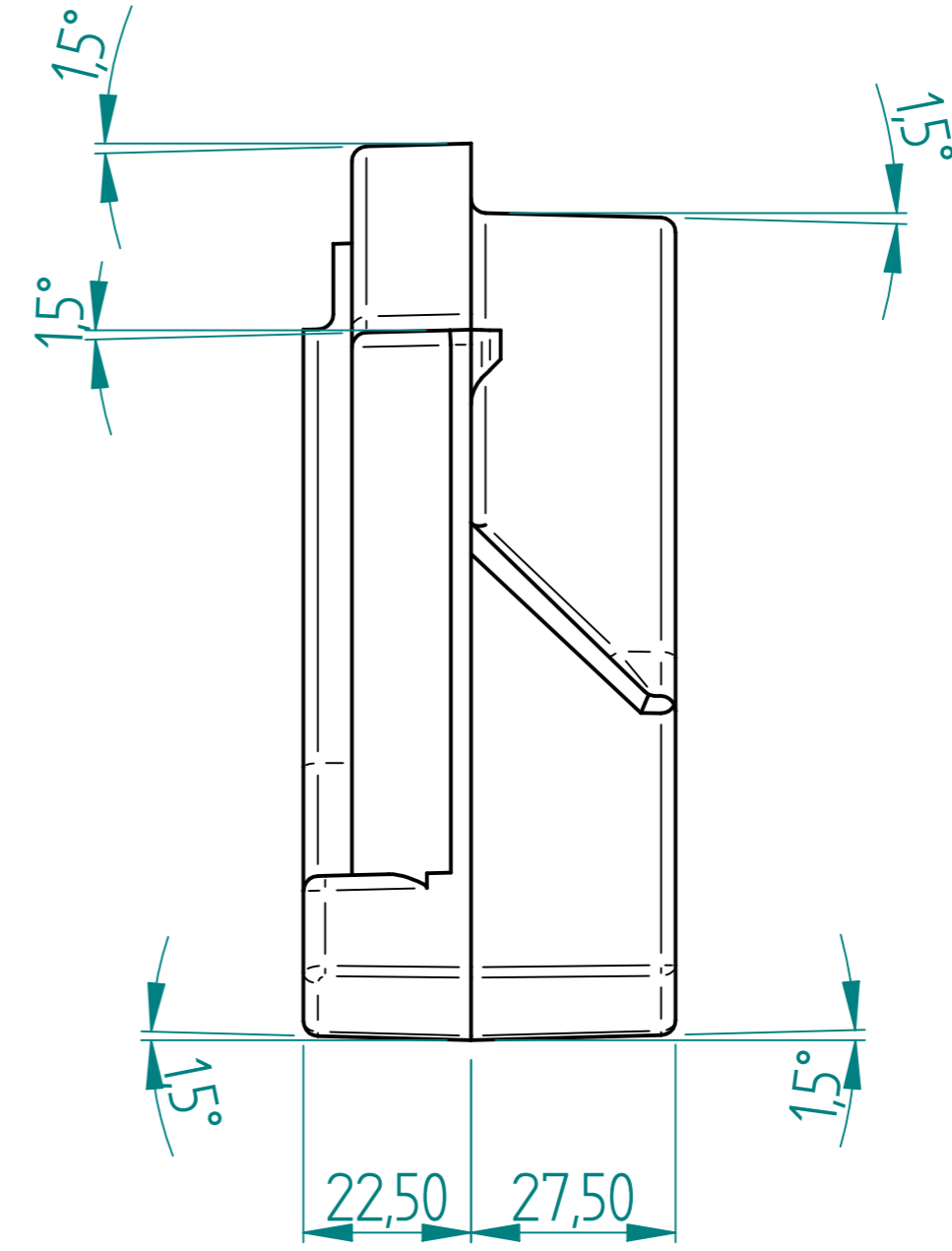
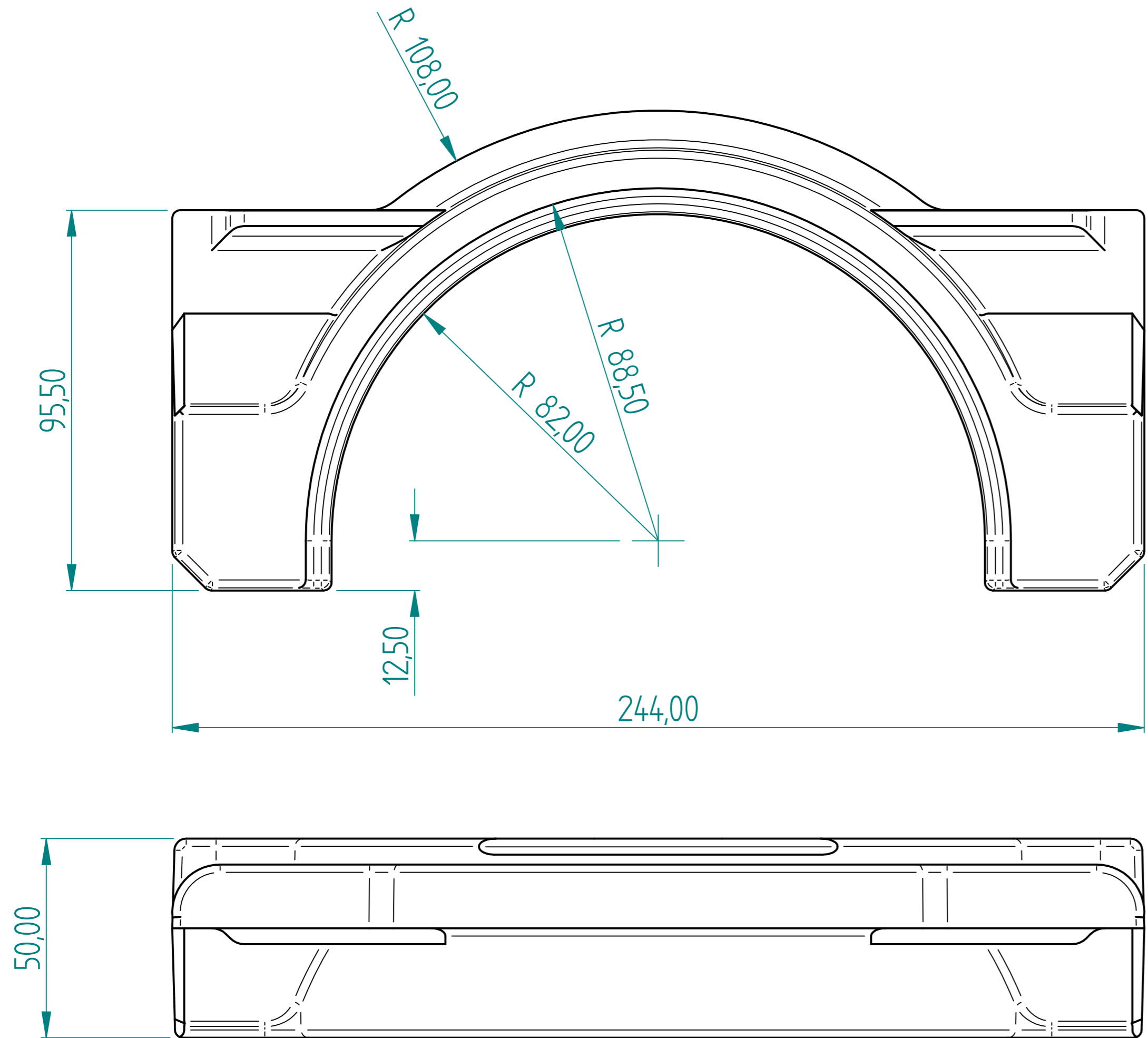
REVISION HISTORY			
REV	DESCRIPTION	DATE	APPROVED



RW-14-01-01

	NAME	DATE	PREMAC	
DRAWN	Dan	03/22/10		
APPROVED				
MATERIAL				
TREATMENT			TITLE	
UNLESS OTHERWISE SPECIFIED DIMENSIONS ARE IN MILLIMETERS			SIZE A4	DWG NO
1 st ANGLE ANGLES ±0.1°			FILE NAME: RW-14-01-01 Pattern.dft	REV
2 PL ±0.02 3 PL ±0.005			SCALE:	WEIGHT:
			SHEET 1 OF 4	

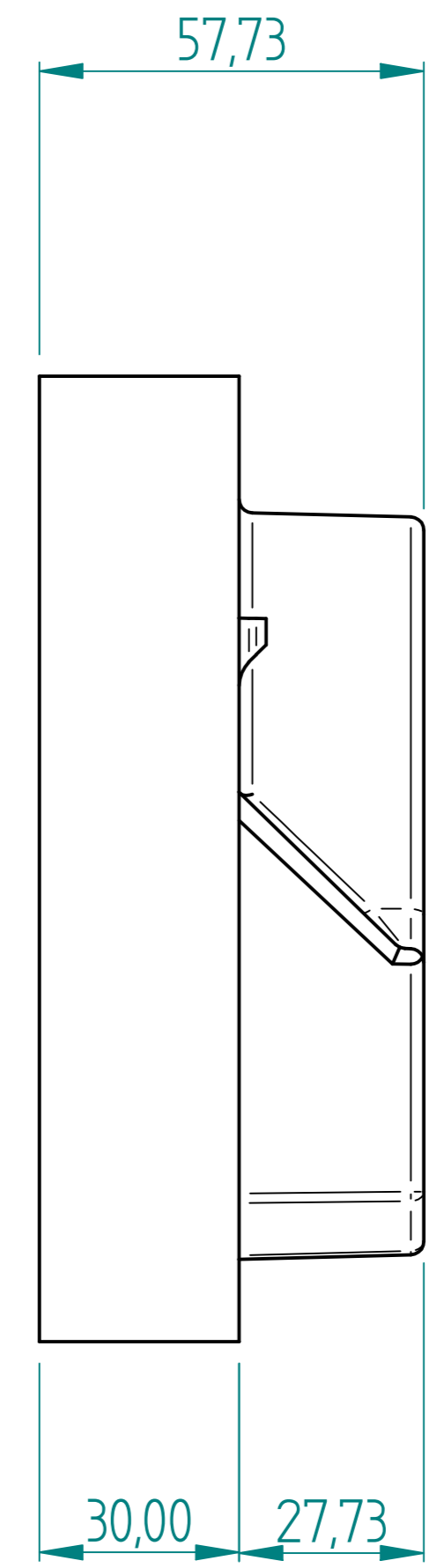
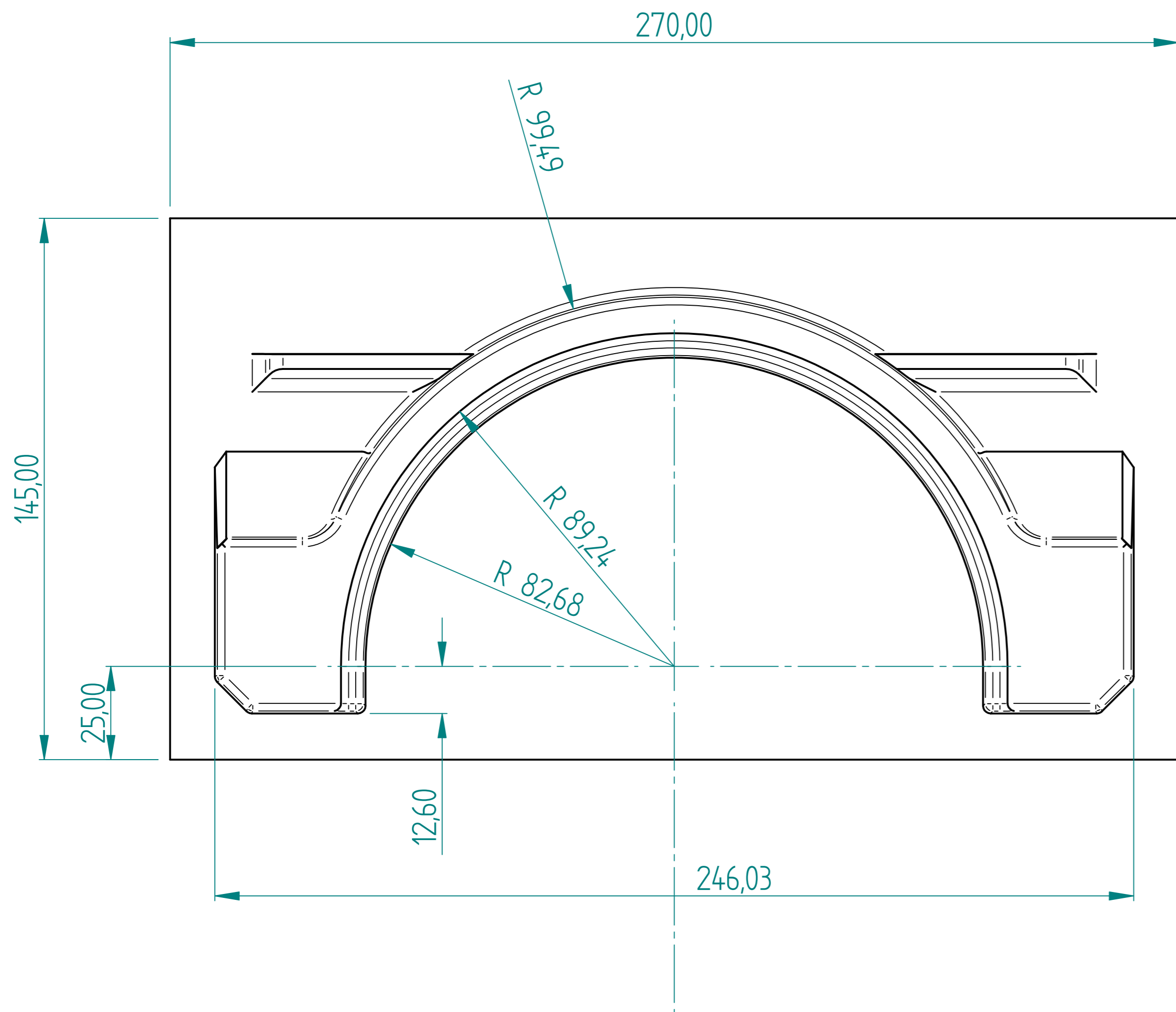
REVISION HISTORY			
REV	DESCRIPTION	DATE	APPROVED



RW-14-01-01 CASTING

DRAWN	NAME	DATE	PREMAC		
APPROVED	Dan	03/22/10			
MATERIAL					
TREATMENT					
UNLESS OTHERWISE SPECIFIED DIMENSIONS ARE IN MILLIMETERS			SIZE	DWG NO	REV
1st ANGLE ANGLES ±0,1°			A4		
2 PL ±0,02 3 PL ±0,005			FILE NAME: RW-14-01-01 Pattern.dft		
SCALE:		WEIGHT:	SHEET 2 OF 4		

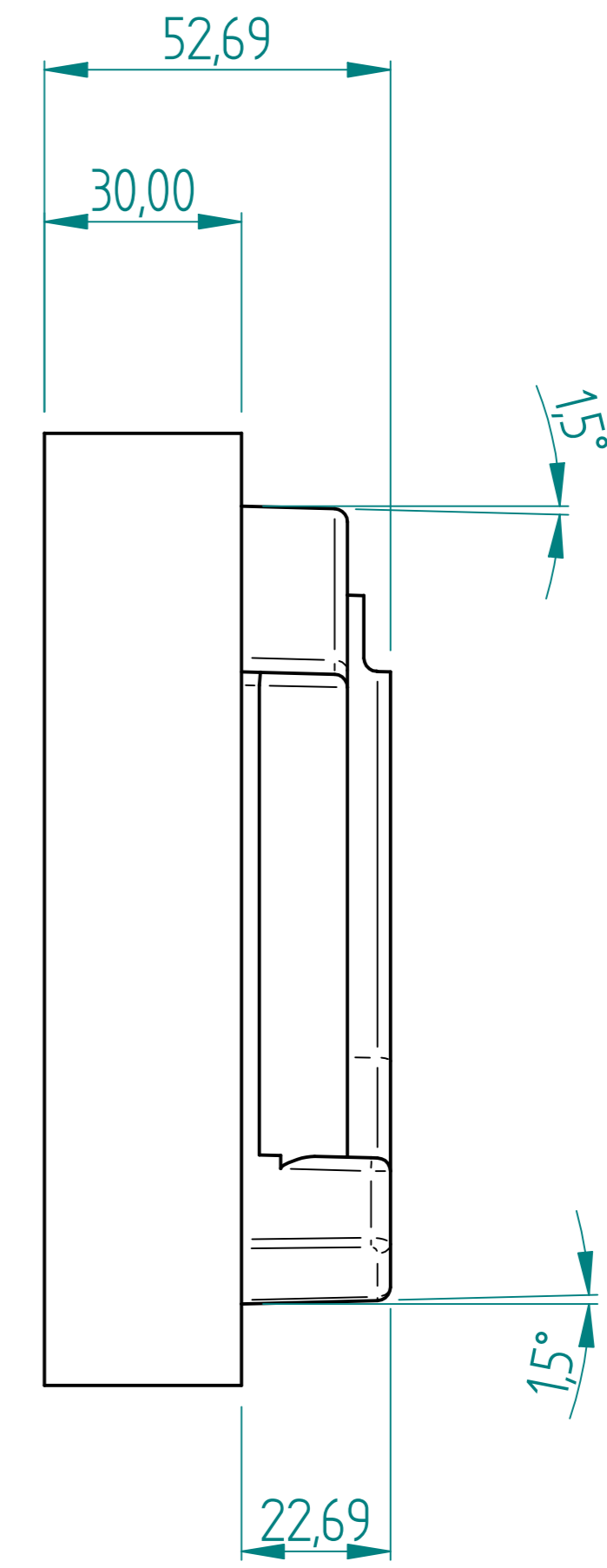
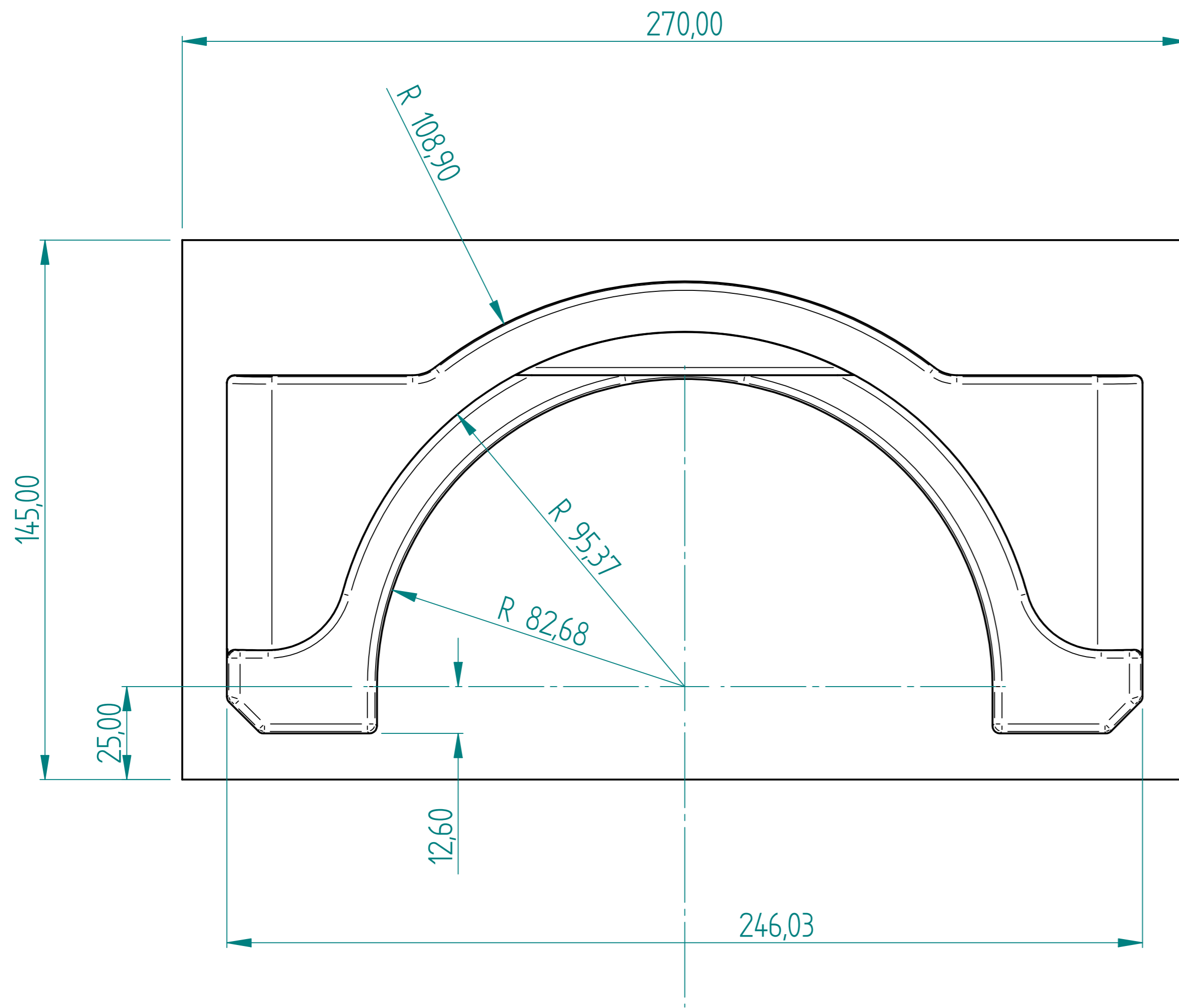
REVISION HISTORY			
REV	DESCRIPTION	DATE	APPROVED



RW-14-01-01 PATTERN A

DRAWN	NAME	DATE	PREMAC		
APPROVED	Dan	03/22/10			
MATERIAL					
TREATMENT					
UNLESS OTHERWISE SPECIFIED DIMENSIONS ARE IN MILLIMETERS			SIZE	DWG NO	REV
1 st ANGLE			A4		
2 PL ±0.02 3 PL ±0.005			FILE NAME: RW-14-01-01 Pattern.dft		
			SCALE:	WEIGHT:	SHEET 3 OF 4

REVISION HISTORY			
REV	DESCRIPTION	DATE	APPROVED



RW-14-01-01 PATTERN B

DRAWN	NAME	DATE	PREMAC		
APPROVED	Dan	03/22/10			
MATERIAL					
TREATMENT					
UNLESS OTHERWISE SPECIFIED DIMENSIONS ARE IN MILLIMETERS			SIZE	DWG NO	REV
1 st ANGLE ANGLES ±0,1°			A4		
2 PL ±0,02 3 PL ±0,005			FILE NAME: RW-14-01-01 Pattern.dft		
			SCALE:	WEIGHT:	SHEET 4 OF 4