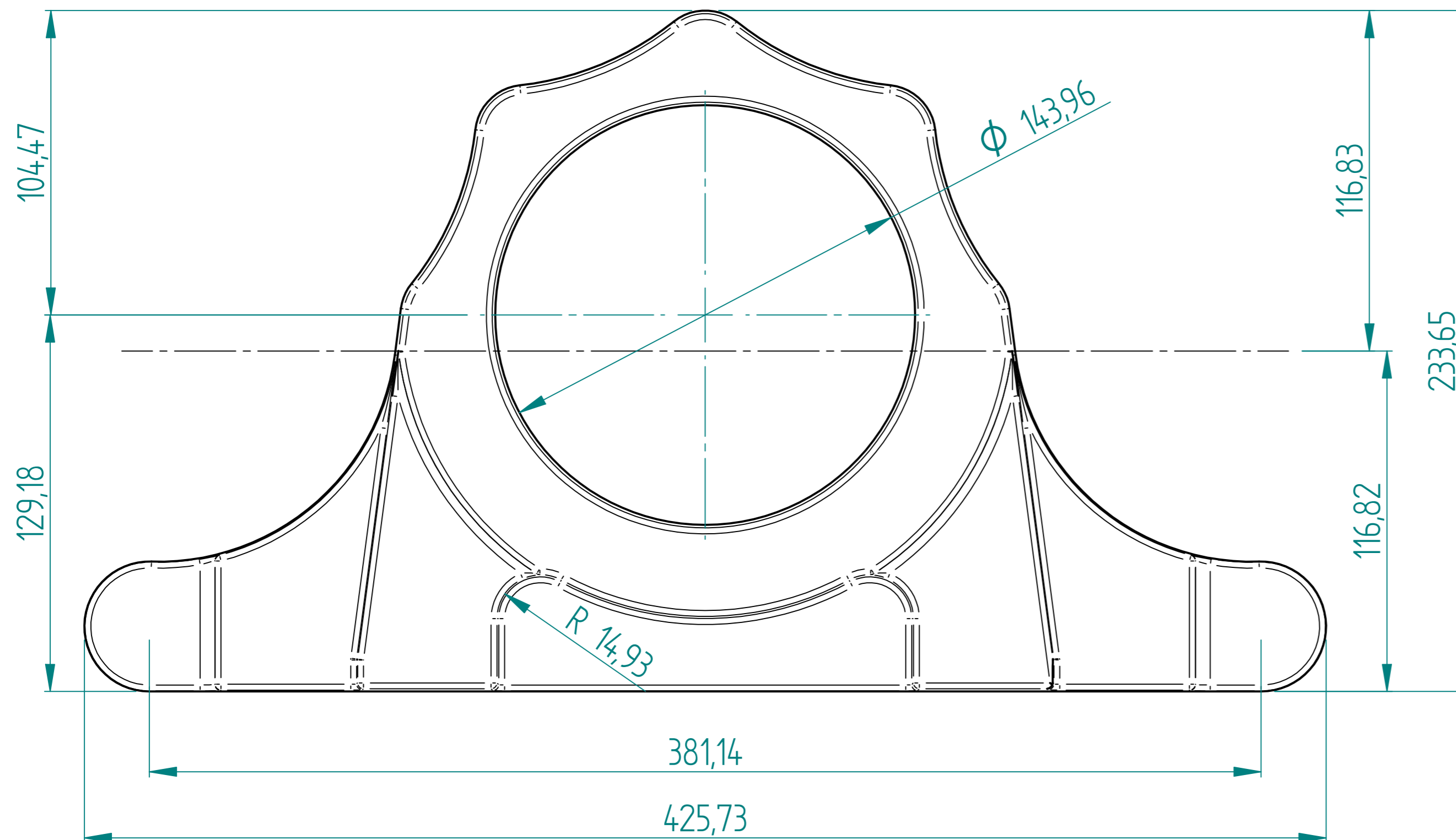
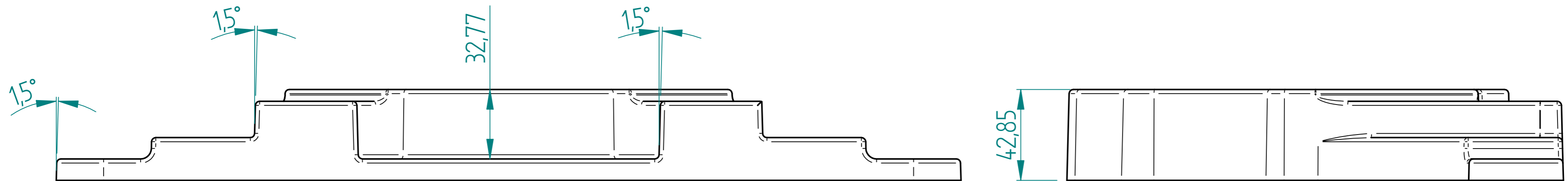


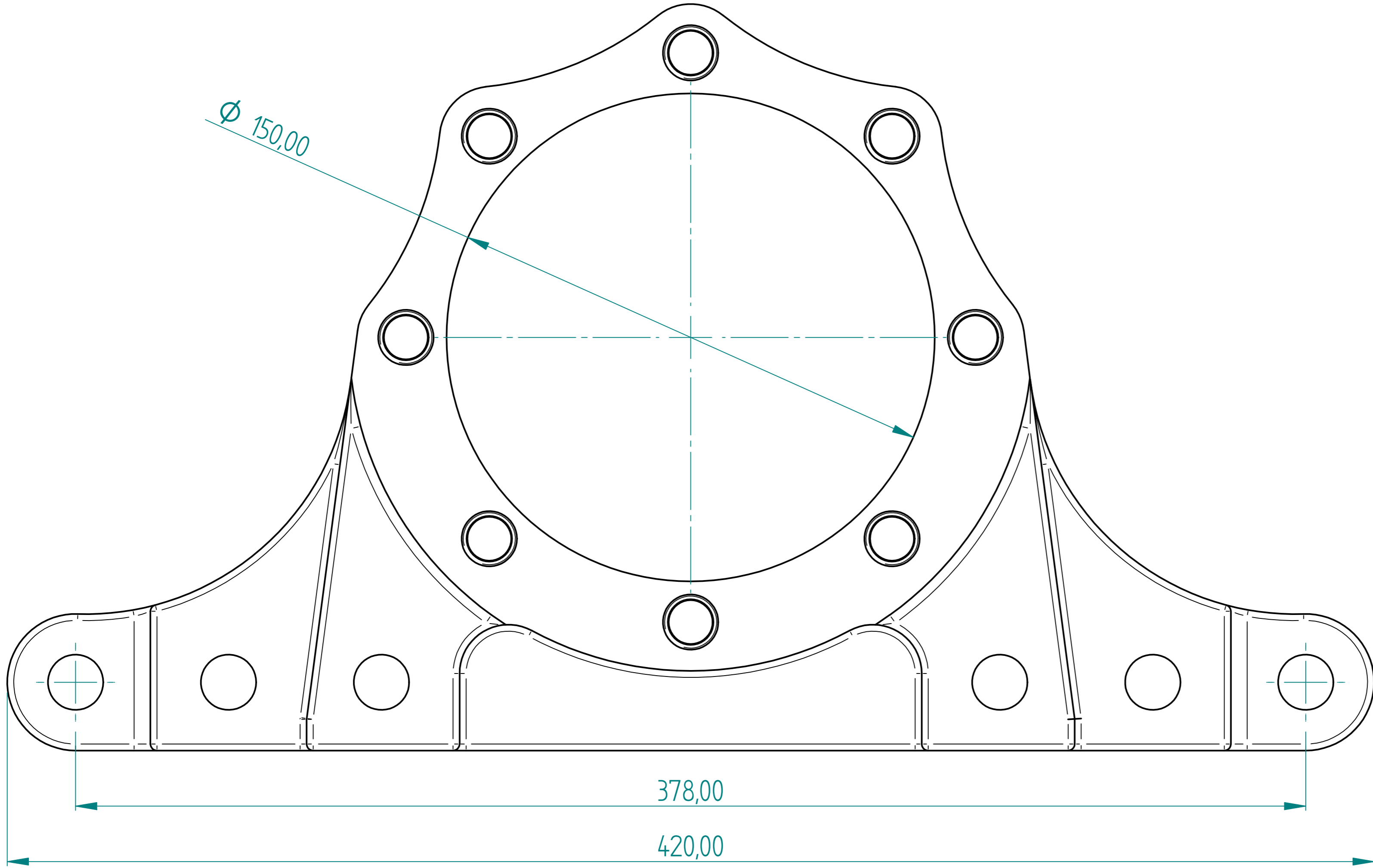
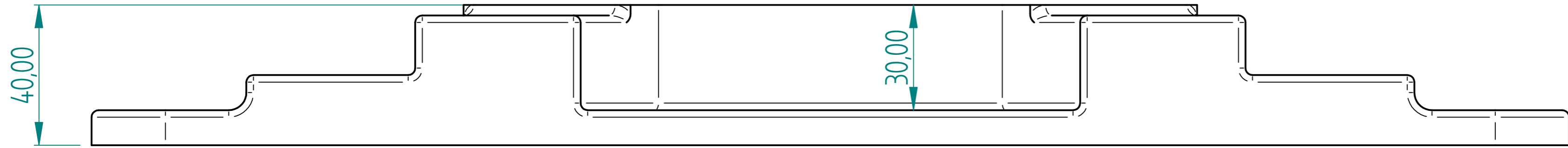
REVISION HISTORY			
REV	DESCRIPTION	DATE	APPROVED



# RW-01-01-02 PATTERN

DRAWN	NAME	DATE	<b>PREMAC</b>		
APPROVED	Dan	03/16/10			
MATERIAL					
TREATMENT					
UNLESS OTHERWISE SPECIFIED DIMENSIONS ARE IN MILLIMETERS			SIZE A4	DWG NO	REV
1 <sup>st</sup> ANGLE ANGLES ±0.1°			FILE NAME: RW-01-01-02 PATTERN.dft		
2 PL ±0.02 3 PL ±0.005			SCALE:	WEIGHT:	SHEET 1 OF 2

REVISION HISTORY			
REV	DESCRIPTION	DATE	APPROVED



RW-01-01-02

DRAWN	NAME	DATE	<b>PREMAC</b>		
APPROVED	Dan	03/16/10			
MATERIAL					
TREATMENT					
UNLESS OTHERWISE SPECIFIED DIMENSIONS ARE IN MILLIMETERS			SIZE A4	DWG NO	REV
1 <sup>st</sup> ANGLE ANGLES ±0.1°			FILE NAME: RW-01-01-02 PATTERN.dft		
2 PL ±0.02 3 PL ±0.005			SCALE:	WEIGHT:	SHEET 2 OF 2