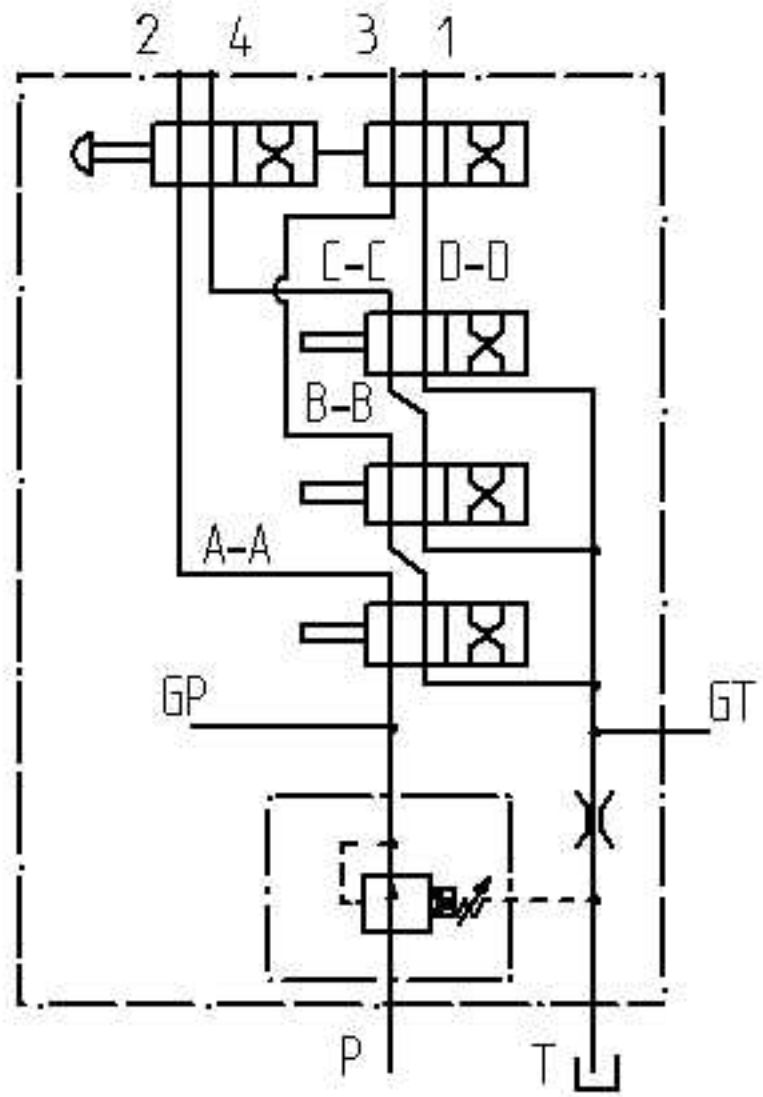


REVISION HISTORY			
REV	DESCRIPTION	DATE	APPROVED



DRAWN	NAME	DATE	PREMAC PRECISION MACHINE MANUFACTURE RS, PTY LTD TITLE		
APPROVED		12/06/04			
MATERIAL					
TOLERANCES					
UNLESS OTHERWISE SPECIFIED DIMENSIONS ARE IN MILLIMETERS ANGLES $\pm 0.1^\circ$			SZT	RVS	REV
2 PL ± 0.02 3 PL ± 0.005			FILE NAME: 5 Spool Valve.dwg	KEY	
SCALE:			WEIGHT:	SHEET 5 OF 6	