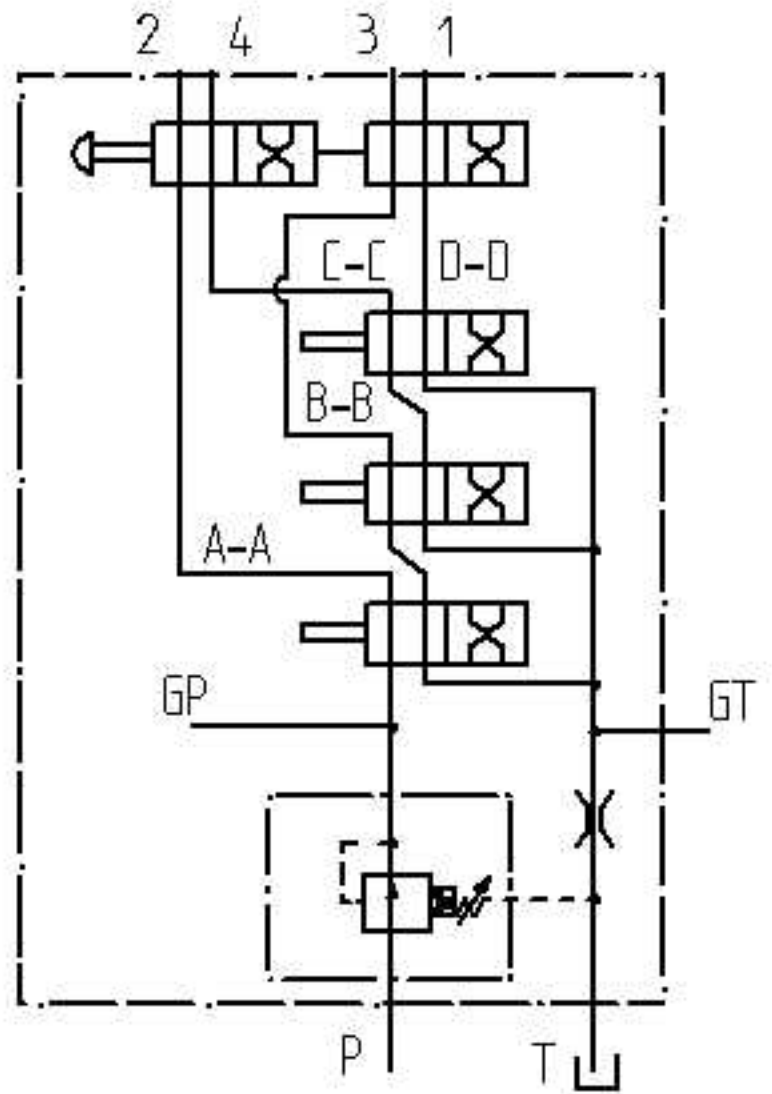


REVISION HISTORY			
KEY	DESCRIPTION	DATE	APPROVED



NAME	DATE	PREMAC	
DRAWN	Dua	PRECISION MACHINE MANUFACTURERS PVT.LTD.	
APPROVED		TITLE	
MATERIAL			
TOLERANCES			
UNLESS OTHERWISE SPECIFIED DIMENSIONS ARE IN MILLIMETERS ANGLES 40.1°		SCALE	KEY
2 PL ±0.02 3 PL ±0.005		SCALE:	WEIGHT: SHEET 5 OF 6
		FILE NAME: 5 Spool Valves.dwg	