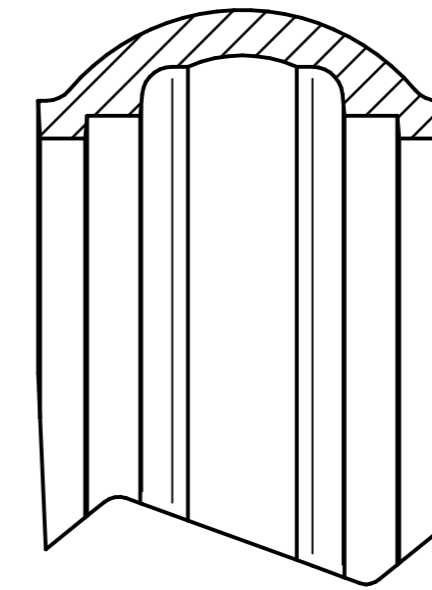
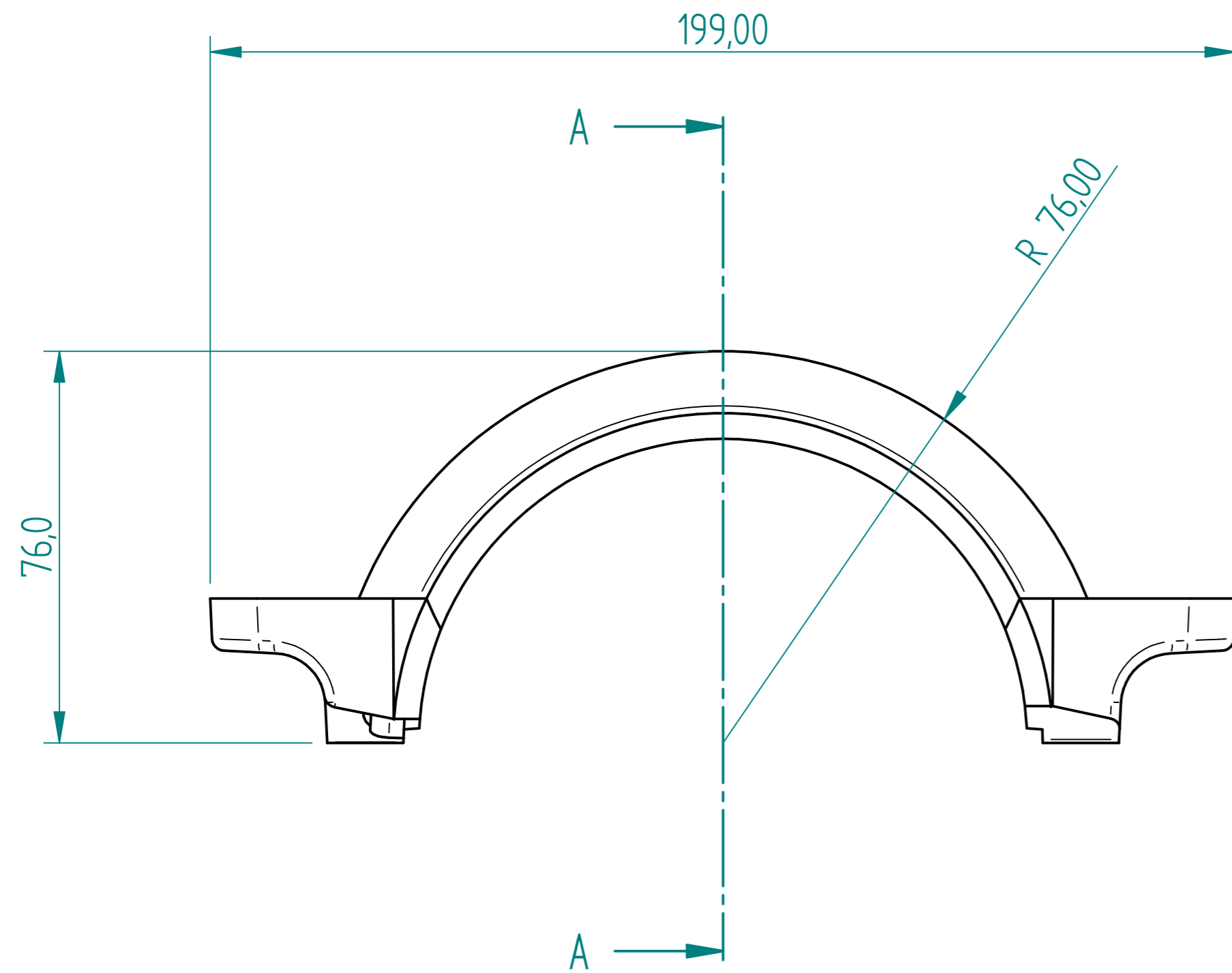
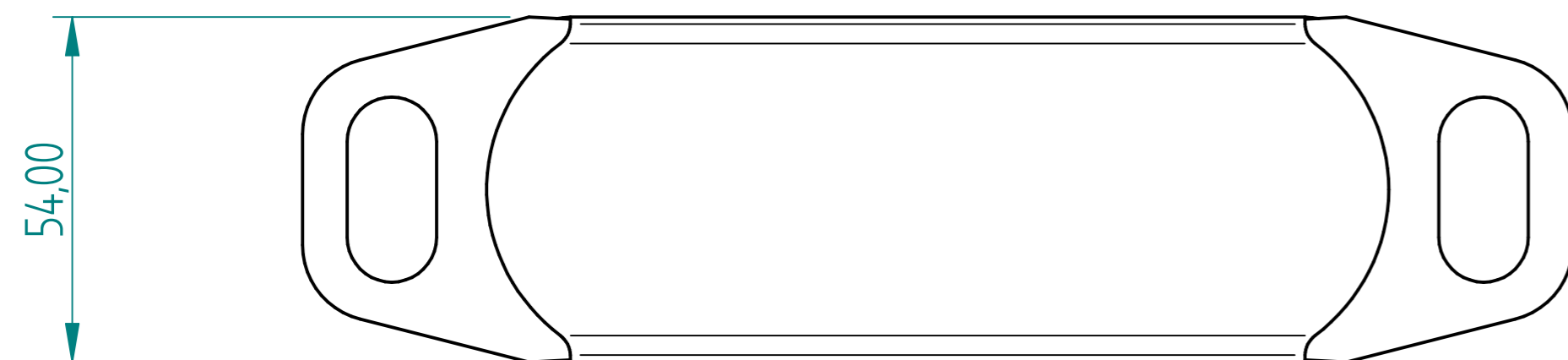
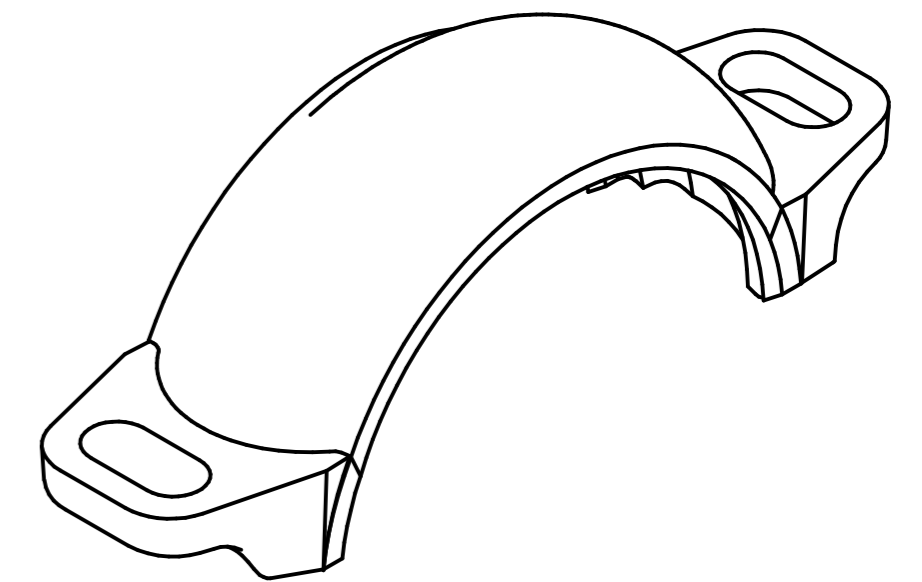


REVISION HISTORY			
REV	DESCRIPTION	DATE	APPROVED



SECTION A-A



	NAME	DATE	<b>AGRIGEL</b>		
DRAWN	DG	11/20/15			
APPROVED					
MATERIAL	SG 42				
TREATMENT			TITLE	CLAMP	
UNLESS OTHERWISE SPECIFIED DIMENSIONS ARE IN MILLIMETERS			SIZE	DWG NO	REV
1 <sup>st</sup> ANGLE ANGLES ±0.1°			A4		
2 PL ±0.02 3 PL ±0.005			FILE NAME: Clamp.dft		
			SCALE:	WEIGHT: 0.7kg	SHEET 1 OF 1